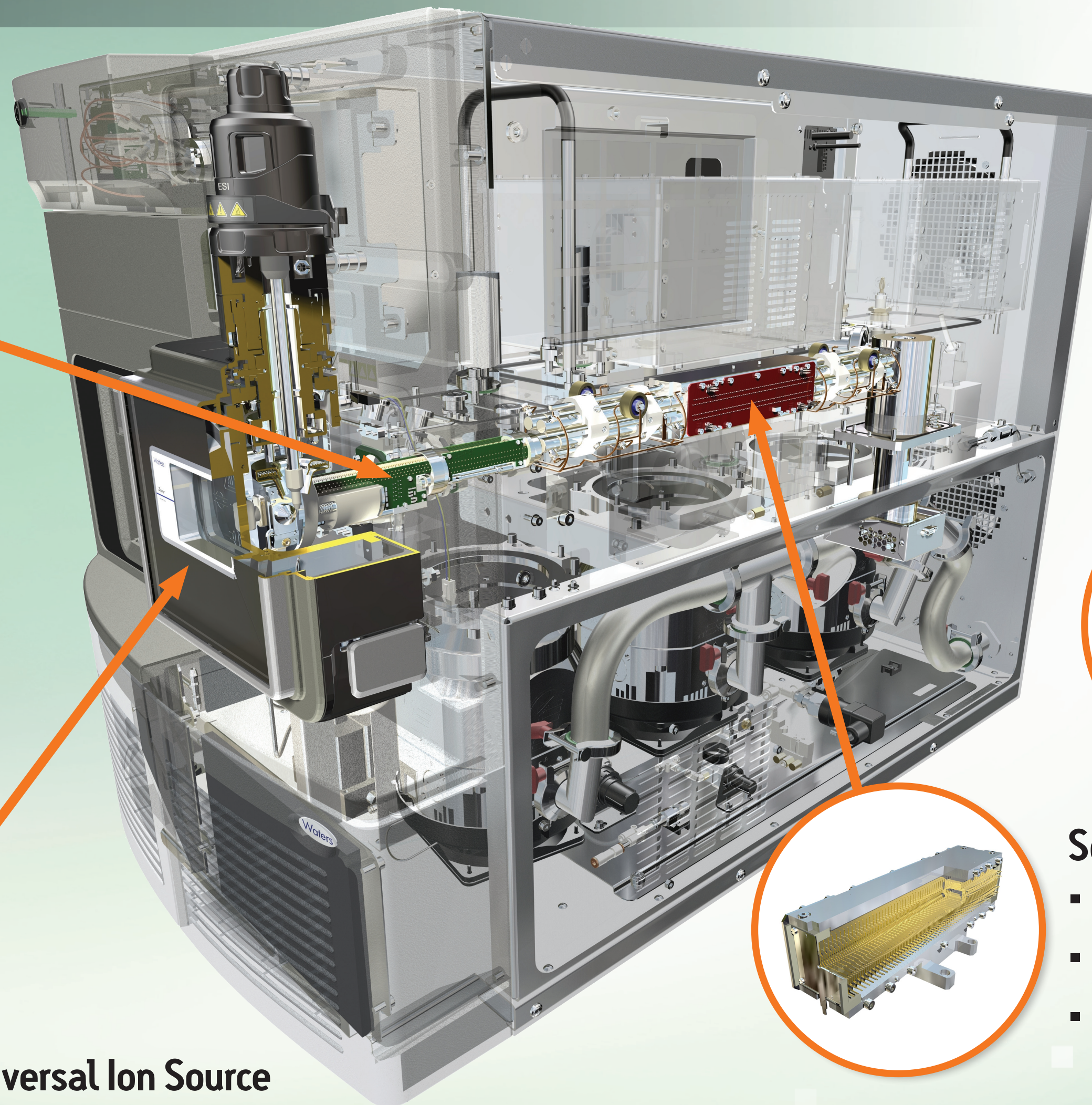


# [ XEVO TQ-XS ]

Designed for the most demanding quantitative UPLC-MS/MS applications. The ultimate in tandem quadrupole performance allows you to achieve unrivalled sensitivity and robustness.



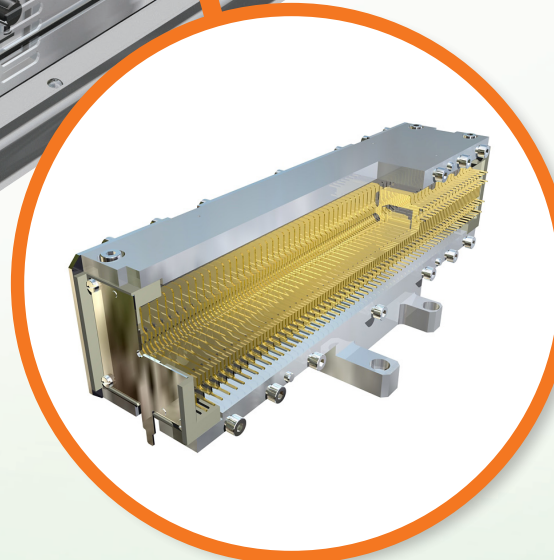
## StepWave XS

- The patented StepWave XS ion guide contains a modified first stage that ensures ions collide with gas molecules with less energy.
- A segmented quadrupole second stage focuses the ion beam to provide more efficient transmission of ions from the source to the detector.
- Passively removes neutrals while actively transferring ions to reduce contamination.



## Universal Ion Source

- Access to the widest range of ionization techniques as well as the very latest innovations in ionization technologies.
- Tool-free ESI and APCI probes allowing better operator to operator reproducibility and capillary changing in less than 2 minutes.
- Source options are quickly interchangeable and ready-to-use within minutes.
- Unique no compromise LC-MS and GC-MS for unparalleled quantitative performance.



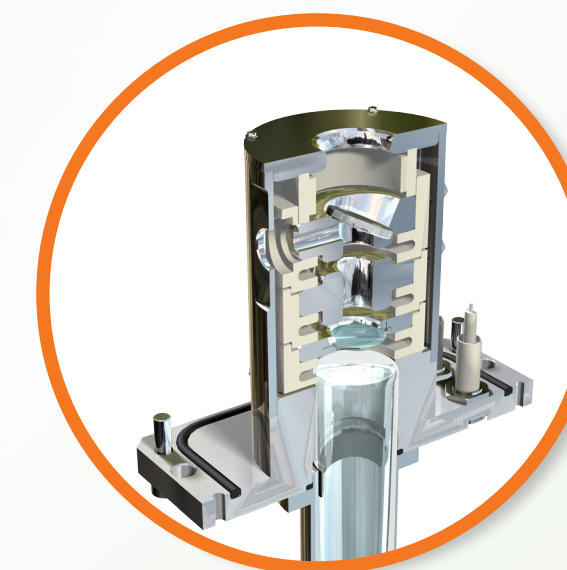
## ScanWave Collision Cell

- Enhanced sensitivity and spectral quality for product ion MS/MS.
- Enables efficient transfer of ions to the 2nd quadrupole mass analyser.
- Allows rapid MS/MS data acquisition with maximum sensitivity.



## RADAR

- Simultaneously acquire MS full scan qualitative data and MS/MS MRM quantitative data.
- Accelerated method development and matrix interference monitoring for sensitive and robust methods.



## XDR Detector

- The Xtended Dynamic Range (XDR) detector provides six orders of linear dynamic range enabling quantification of a wider range of analyte concentrations without saturating the detector.