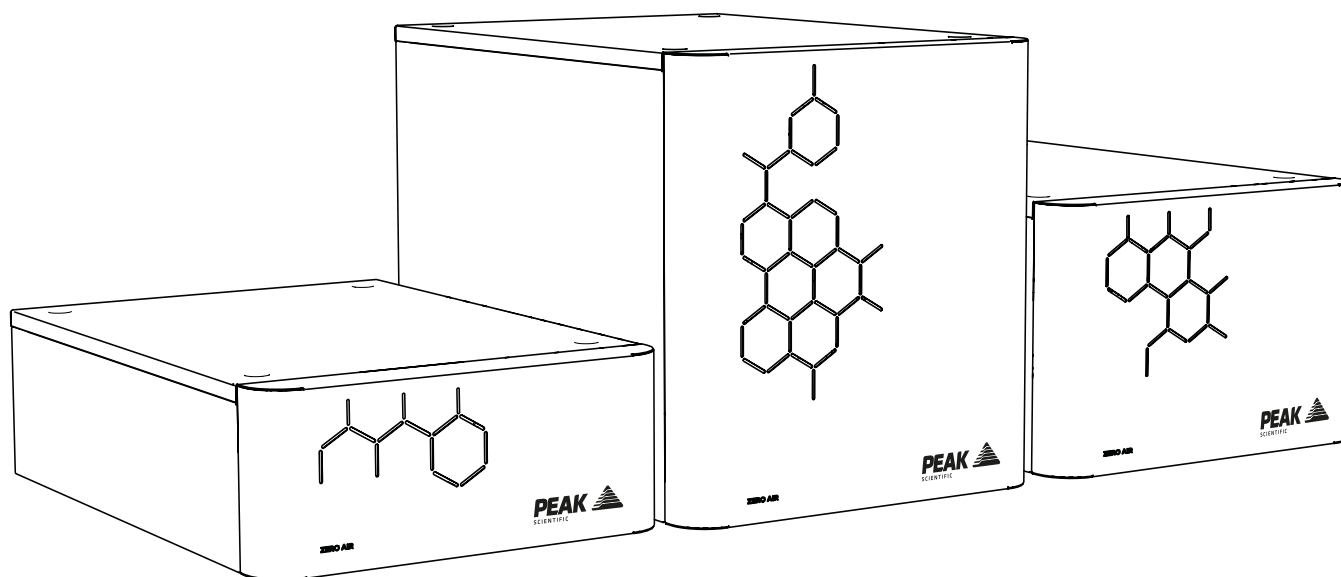


Precision Zero Air (All Models)

User Manual



Contents

Change History	3
How to use this Manual	3
Introduction	4
Warranties and Liabilities	5
Safety Notices	6
Symbols	6
Safety Notice to Users	6
Declaration of Conformity	7
Environmental Declaration	8
Technical Specification	9
Fittings Kit Contents	13
Unpacking Instructions	13
Installation	14
Generator Environment	14
Generator Overview	15
1.5L & 3.5L General Dimensions	15
7L & 18L General Dimensions	16
30L General Dimensions	17
1.5L & 3.5L Rear Connections	18
7L & 18L Rear Connections	19
30L Rear Connections	20
Electrical Connection	21
Air Purity	22
Class 1 Particulate	22
Class 4 Water	22
Class 1 Oil	22
Start-Up Sequence	23
On Demand Gas	23
Unusual Operation	23
Connecting to the application	24
Tubing Lengths	24
Service Requirements	25
Service Schedule	25
Service Plans	25
Peak Protected	26
Cleaning	27
Troubleshooting	28

Change History

Rev	Comment	Name	Date
2	DOC Updates	LC	06/10/2017
3	Technical Specification Update	LC	21/12/2017
4	Cleaning Information Update	LC	28/02/2018
5	Declarations Update	LC	24/04/2018
6	Technical Content Updates	LC	16/10/2018

How to use this Manual

This manual is intended for end users and has been written as a reference document where you can skip to the relevant information.

Users can refer to the contents page to find the relevant information.

Please review each of the following sections carefully.

Thank you for selecting Peak Scientific to meet your gas generation needs, and should you require any further assistance or support please do not hesitate to contact Peak Scientific or the Peak Partner from which you purchased your generator.

Introduction

Precision is a modular system with differing flow rates that allows you to add multiple generators as your gas and analysis demands change. The Precision Series will keep your gas flowing with consummate accuracy and reliability, whatever your needs, while fitting neatly into any lab space.

The Precision Zero Air generators provide hydrocarbon free air, suitable as a Flame Support Gas at Trace and Standard detection limits.

Other features include:

- Suitable for Flame Support Gas at Trace and Standard detection limits.
- Generates Zero Air on demand from Compressed Air
- Catalyst chamber to remove Hydrocarbons (as methane) to <0.05ppm
- Minimum maintenance with only a filter change per annum.
- Small and Stackable

With the Precision Zero Air based on proven technology, they remove hydrocarbons and other contaminants to provide Zero Air.

To ensure these generator models meet our high expectations with regards to reliability and performance, we have tested them extensively at our manufacturing plant and with end users around the world to ensure reliability and longevity of the system.

Warranties and Liabilities




1. The Company warrants that it has title to the Goods.
2. Subject to the provisions of this clause the Company warrants that the Goods shall comply in all material respects with any specification referred to in the Order Confirmation (as the same may be amended) and shall, subject thereto, be free from defects in material and workmanship for the lesser of a period of twelve months from the date of delivery or thirteen months from the date of dispatch from the factory.
3. Save as provided in this clause and except where the Goods are sold to a person dealing as a consumer (within the meaning of the Unfair Contract Terms Act 1977) all warranties, conditions or other terms implied by statute or common law are hereby expressly excluded save to the extent they may not be lawfully excluded. When the Goods are sold to a consumer within the meaning of the Unfair Contract Terms Act 1977 their statutory rights are not affected by the provisions of this clause.
4. In the event of the Customer making a claim in respect of any defect in terms of clause 2 hereof the Customer must.
 1. Reasonably satisfy the Company that the Goods have been properly installed, commissioned, stored, serviced and used and without prejudice to the generality of the foregoing that any defect is not the direct or indirect result of lack of repair and/or servicing, incorrect repair and/or servicing, use of wrong materials and/or incorrect spare parts
 2. Allow the company to inspect the Goods and/or any installation and any relevant packaging as and when reasonably required by the Company.
5. Subject to the Company being notified of any defect as is referred to in sub-clause 2 hereof within a reasonable time of it becoming apparent and subject always to the terms of sub-clause 4 hereof, the Company shall, in its option, replace or repair the defective Goods or refund a proportionate part of the Price. The Company shall have no further liability to the Customer (save as mentioned in sub-clause 6 hereof).
6. The Company shall be liable to indemnify the Customer in respect of any claim for death or personal injury to any person in so far as such is attributable to the negligence or breach of duty of the Company or any failure by the Company to comply with the provisions of sub-clause 2 hereof.
7. Save as provided in sub-clause 2 hereof the Company shall not be liable in respect of any claim by the Customer for costs, damages, loss or expenses (whether direct, indirect, consequential or otherwise) or indemnity in any respect howsoever arising including, but not by way of limitation, liability arising in negligence (other than pursuant to clause 6 above) that may be suffered by the Customer or any third party.

Safety Notices

Peak Scientific Instruments cannot anticipate every possible circumstance which may represent a potential hazard. The warnings detailed within this manual refer to the most likely potential hazards, but by definition cannot be all inclusive. If the user employs an operating procedure, item of equipment or a method of working which is not specifically recommended by Peak Scientific, the user must ensure that the equipment will not be damaged or become hazardous to persons or property.

Symbols

This manual uses the following symbols to highlight specific areas important to the safe and proper use of the generator.

 WARNING	A WARNING notice denotes a hazard. It calls attention to an operating procedure, process or similar, which if not correctly performed or adhered to, could cause personal injury or in the worst case death. Do not proceed beyond a WARNING notice until the indicated conditions are fully understood or met.
 CAUTION	A CAUTION notice denotes a hazard. It calls attention to an operating procedure, process or similar, which if not correctly performed or adhered to, could cause damage to the generator or the application. Do not proceed beyond a CAUTION notice until the indicated conditions are fully understood or met.
	Caution, risk of electric shock. Ensure power to the generator has been removed before proceeding.

Safety Notice to Users



These instructions must be read thoroughly and understood before installation and operation of your Peak Generator. Use of the generator in a manner not specified by Peak Scientific MAY impair the SAFETY provided by the equipment.



When handling, operating or carrying out any maintenance, personnel must employ safe engineering practices and observe all relevant local health and safety requirements and regulations. The attention of UK users is drawn to the Health and Safety at Work Act 1974, and the Institute of Electrical Engineers regulations.



If the equipment is used in a manner not specified by the manufacturer, the protection provided by the equipment maybe impaired.

Declaration of Conformity

We Peak Scientific Instruments Ltd.
Of Fountain Crescent, Inchinnan, Renfrewshire, PA4 9RE
Declare that:

Equipment: Zero Air Generator
Models: Precision Zero Air 1.5L & 3.5L


To which this declaration relates, is in conformity with the applicable EC directives, harmonized standards, and other normative requirements.

- Low Voltage Directive 2014/35/EU
EN 61010-1: 2010 Safety Requirements for Electrical Equipment for Measurement, Control and Laboratory Use.
- Electromagnetic Compatibility Directive 2014/30/EU
EN 61326-1: 2013 Electrical Equipment for Measurement, Control and Laboratory Use - EMC Requirements.
- FCC47 CFR Part 15 Class B
Unintentional radiators; Conducted and Radiated emissions limits.

All evaluation, testing and certification issued by:

Nemko Canada Inc.
303 River Road, Ottawa
Ontario, Canada
K1V 1H2

York EMC Services LTD
Grangemouth Technology Park,
Earls Road, Grangemouth, UK
FK3 8UZ

Signed:  Name: Chris Pugh
Date: 10/07/2018 Position: Chief Technology Officer



Declaration of Conformity

We Peak Scientific Instruments Ltd.
Of Fountain Crescent, Inchinnan, Renfrewshire, PA4 9RE

Declare that:

Equipment: Zero Air Generator
Models: Precision Zero Air 7L & 18L

To which this declaration relates, is in conformity with the applicable EC directives, harmonized standards, and other normative requirements.

- Low Voltage Directive 2014/35/EU
EN 61010-1: 2010 Safety Requirements for Electrical Equipment for Measurement, Control and Laboratory Use.
- Electromagnetic Compatibility Directive 2014/30/EU
EN 61326-1: 2013 Electrical Equipment for Measurement, Control and Laboratory Use - EMC Requirements.
- FCC47 CFR Part 15 Class B
Unintentional radiators; Conducted and Radiated emissions limits.

All evaluation, testing and certification issued by:

York EMC Services Ltd

Unit 1, Grangemouth Technology Park,
Earls Road, Grangemouth
FK3 8UZ

Signed:



Name: Chris Pugh

Date: 19/06/2015

Position: Chief Technology Officer



Declaration of Conformity

We Peak Scientific Instruments Ltd.
Of Fountain Crescent, Inchinnan, Renfrewshire, PA4 9RE

Declare that:

Equipment: Zero Air Generator
Models: Precision Zero Air 30L

To which this declaration relates, is in conformity with the applicable EC directives, harmonized standards, and other normative requirements.

- Low Voltage Directive 2014/35/EU
EN 61010-1: 2010 Safety Requirements for Electrical Equipment for Measurement, Control and Laboratory Use.
- Electromagnetic Compatibility Directive 2014/30/EU
EN 61326-1: 2013 Electrical Equipment for Measurement, Control and Laboratory Use - EMC Requirements.
- FCC47 CFR Part 15 Class B
Unintentional radiators; Conducted and Radiated emissions limits.

All evaluation, testing and certification issued by:

Nemko Canada Inc.
303 River Road, Ottawa
Ontario, Canada
K1V 1H2

Signed:



Name:

Chris Pugh

Date:

10/07/2018

Position:

Chief Technology Officer



Environmental Declaration

We Peak Scientific Instruments Ltd.
Of Fountain Crescent, Inchinnan, Renfrewshire, PA4 9RE
Declare that:

Equipment: Zero Air Generator

Models: Precision Zero Air 1.5L, 3.5L, 7L, 18L & 30L

Is fully compliant with the following Directives

- 2012/19/EU WEEE (Waste of Electrical and Electronic Equipment)
- 2011/65/EU RoHS 2 (Restriction of Hazardous Substance)

Peak Scientific Instruments Ltd fully complies with its obligations towards the European WEEE (Waste of Electrical and Electronic Equipment) Directive 2012/19/EU. These obligations are being met within the B2B compliance group.

Peak Scientific Instruments Ltd has developed all reasonable 'due diligence' controls to ensure that our products comply with the principles and requirements of the European recast RoHS (Restriction of Hazardous Substances) Directive 2011/65/EU. Similar directives in the United States and China, for example, have also been captured within this program.

Where a specific certificate of compliance is required, this can be requested, on a product serial number basis, directly from Peak Scientific Instruments Ltd, by contacting us through our website on www.peakscientific.com

Signed:  Name: Chris Pugh

Date: 02/06/2016 Position: Chief Technology Officer



Technical Specification

Precision Zero Air

Environment

	1.5L	3.5L
Minimum Operating Ambient Temperature	5°C (41°F)	
Maximum Operating Ambient Temperature	35°C (95°F)	
Maximum Altitude	2000 m	
Maximum Relative Humidity	80% Non-Condensing	
Minimum Storage Temperature*	-20°C (-4°F)	
Maximum Storage Temperature*	60°C (140°F)	

Inlet Conditions

Min/Max Inlet Air Pressure	6.2-10 bar (90-145 psi)	
Minimum Air Inlet Flow	1.5 l/min	3.5 l/min
Minimum Air Inlet Quality	ISO 8573-1:2010 Class[1.4.1]	
Maximum Inlet CH ₄ Concentration	100ppm CH ₄	

Generator Outlets

Maximum Gas output Pressure	5.5 bar (80 psi)	
Maximum Outlet Flow Rate	1.5 l/min	3.5 l/min
Start-up time	60 minutes	
Outlet CH ₄ Concentration	<0.05µm	
Particles	<0.01µm	
Phthalates	NONE	
Suspended Liquids	NONE	
Gas Outlets	1 x ¼" BSPP	
Drain Outlets	NONE	

Electrical Requirements

Voltage	115VAC	230VAC
Frequency	50/60 Hz	50/60 Hz
Current	2A	1A
Input Connection	C14 Plug	
Power Cord (Supplied)	C13 Socket to Local Connection	
Pollution Degree	2	
Insulation Category	II	

General

Dimensions cm (inches) WxDxH	38.0 (14.9) x 54.0 (21.2) x 15.6 (6.14)	
Generator Weight Kg (lbs)	16 (35)	
Shipping Weight Kg (lbs)	19 (41.9)	

Technical Specification

Precision Zero Air

Environment

	7L	18L
Minimum Operating Ambient Temperature	5°C (41°F)	
Maximum Operating Ambient Temperature	35°C (95°F)	
Maximum Altitude	2000 m	
Maximum Relative Humidity	80% Non-Condensing	
Minimum Storage Temperature*	-20°C (-4°F)	
Maximum Storage Temperature*	60°C (140°F)	

Inlet Conditions

Min/Max Inlet Air Pressure	7.5-8.6 bar (110-125 psi)	
Minimum Air Inlet Flow	7 l/min	18 l/min
Minimum Air Inlet Quality	ISO 8573-1:2010 Class[1.4.1]	
Maximum Inlet CH ₄ Concentration	100ppm CH ₄	

Generator Outlets

Maximum Gas output Pressure	5.5 bar (80 psi)	
Maximum Outlet Flow Rate	7 l/min	18 l/min
Start-up time	60 minutes	
Outlet CH ₄ Concentration	<0.05µm	
Particles	<0.01µm	
Phthalates	NONE	
Suspended Liquids	NONE	
Gas Outlets	1 x ¼" BSPP	
Drain Outlets	NONE	

Electrical Requirements

Voltage	115VAC	230VAC
Frequency	50/60 Hz	50/60 Hz
Current	5.4A	3.3A
Input Connection	C14 Plug	
Power Cord (Supplied)	C13 Socket to Local Connection	
Pollution Degree	2	
Insulation Category	II	

General

Dimensions cm (inches) WxDxH	38.0 (14.9) x 54.0 (21.2) x 25.6 (10.0)	
Generator Weight Kg (lbs)	25.4 (55.9)	
Shipping Weight Kg (lbs)	44 (97)	

Technical Specification

Precision Zero Air

Environment

	30L
Minimum Operating Ambient Temperature	5°C (41°F)
Maximum Operating Ambient Temperature	35°C (95°F)
Maximum Altitude	2000 m
Maximum Relative Humidity	80% Non-Condensing
Minimum Storage Temperature*	-20°C (-4°F)
Maximum Storage Temperature*	60°C (140°F)

Inlet Conditions

Min/Max Inlet Air Pressure	7.6-10 bar (110-145 psi)
Minimum Air Inlet Flow	30 l/min
Minimum Air Inlet Quality	ISO 8573-1:2010 Class[1.4.1]
Maximum Inlet CH ₄ Concentration	100ppm CH ₄

Generator Outlets

Maximum Gas output Pressure	6.9 bar (100 psi)
Maximum Outlet Flow Rate	30 l/min
Start-up time	60 minutes
Outlet CH ₄ Concentration	<0.05µm
Particles	<0.01µm
Phthalates	NONE
Suspended Liquids	NONE
Gas Outlets	1 x ¼" BSPP
Drain Outlets	NONE

Electrical Requirements

Voltage	115VAC	230VAC
Frequency	50/60 Hz	50/60 Hz
Current	9A	6.7A
Input Connection	C14 Plug	
Power Cord (Supplied)	C13 Socket to Local Connection	
Pollution Degree	2	
Insulation Category	II	

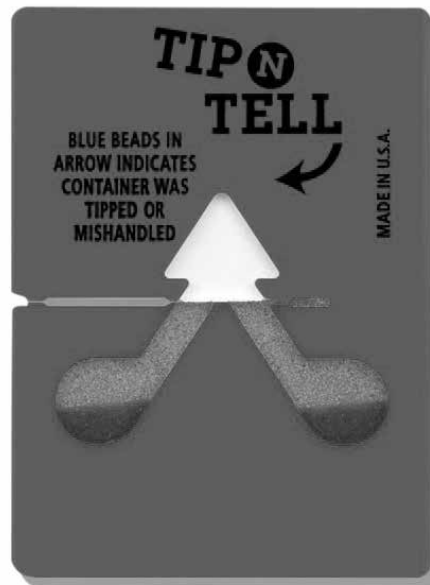
General

Dimensions cm (inches) WxDxH	38.0 (14.9) x 54.0 (21.2) x 40.6 (15.8)
Generator Weight Kg (lbs)	41 (90.3)
Shipping Weight Kg (lbs)	43 (94.7)

Unpacking

Although Peak Scientific takes every precaution with safe transit and packaging, it is advisable to fully inspect the unit for any sign of transit damage.

Check 'SHOCKWATCH' and 'TIP-N-TELL' labels for signs of rough handling prior to unpacking.



Any damage should be reported immediately to the carrier and Peak Scientific or the Peak Partner from where the unit was purchased.

Follow the unpacking instructions posted on the side of the crate. It will require two people to remove the unit from the shipping crate and to manoeuvre the air compressor onto the bench.

Please save the product packaging for storage or future shipment of the generator.

Note: Included with the generator is a "Fittings Kit" containing mains power leads for UK, EU & US and also all the required fittings and warranty registration card. Be careful not to discard these with the packaging.

Fittings Kit Contents

Supplied in the Fittings Kit are all the fittings required to connect the generator to the application. The contents of the Fittings Kit are as follows:

1. PTFE Tubing	x 3m
2. ¼” Compression Fitting	x 1
3. ⅛” Compression Fitting	x 1
4. UK Mains Power Cable	x 1
5. EU Mains Power Cable	x 1
6. US Mains Power Cable 110v	x 1
7. US Mains Power Cable 230v	x 1

All of the generators output ports are located on the output panel at the rear of the unit.

Unpacking Instructions

The unit weight constitutes a two person lift and as such, safe lifting practices should be employed; do not attempt to lift on your own, as you will significantly increase the chance of injury & damage to yourself and others around you.

1. Remove the screws encircled in red around the bottom of the crate lid and lift upwards.
2. Next, with someone on either side of the unit, position your hands underneath the unit ready to lift.
3. Ensuring your knees are bent and your back is straight, lift the unit to the desired location.

Installation

Generator Environment

The generator is designed for indoor use only. Storing of corrosive substances near the generator or its compressed air supply is not recommended. Saline salt solution spillages around the generator or its compressed air supply should be cleaned up immediately. It should be installed adjacent to the application(s) it is supplying. If this is not convenient then the unit can be sited elsewhere, however, consideration should be made of the lengths of pipe runs as pressure drops can result from extended runs of pipe.

Performance of the generator (like all sophisticated equipment) is affected by ambient conditions. Note should also be taken to the proximity of Air Conditioning outlets. These can sometimes give rise to “pockets” of air with high relative humidity. Operation of the unit within such a pocket could adversely affect its performance. Consideration should also be given to the air flow around the unit. It is recommended that an air gap of 75mm (3”) should be maintained down both sides and at the rear of the unit. Please refer to the drawing below for the general dimensions of the unit.

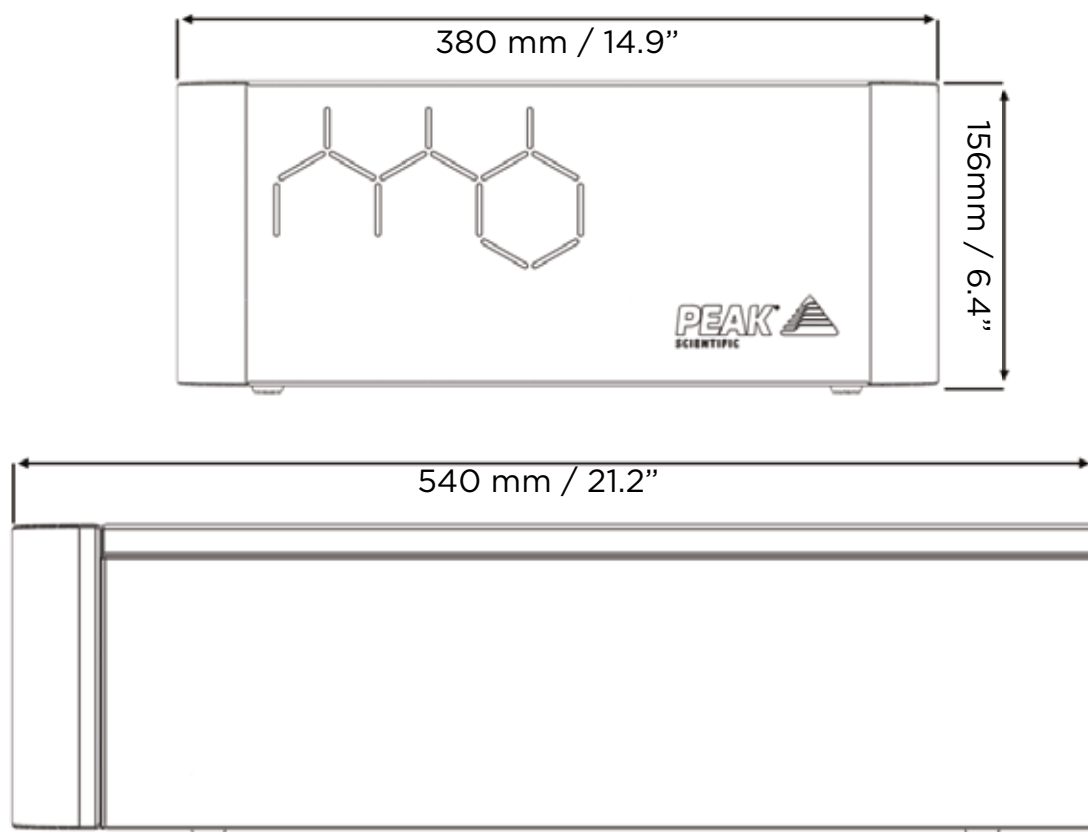
Please ensure generator is operated in a well ventilated environment and is positioned so as to permit easy electrical disconnection if required.

Minimum Operating Ambient Temperature: 5 °C (41 °F)

Maximum Operating Ambient Temperature: 35 °C (95 °F)

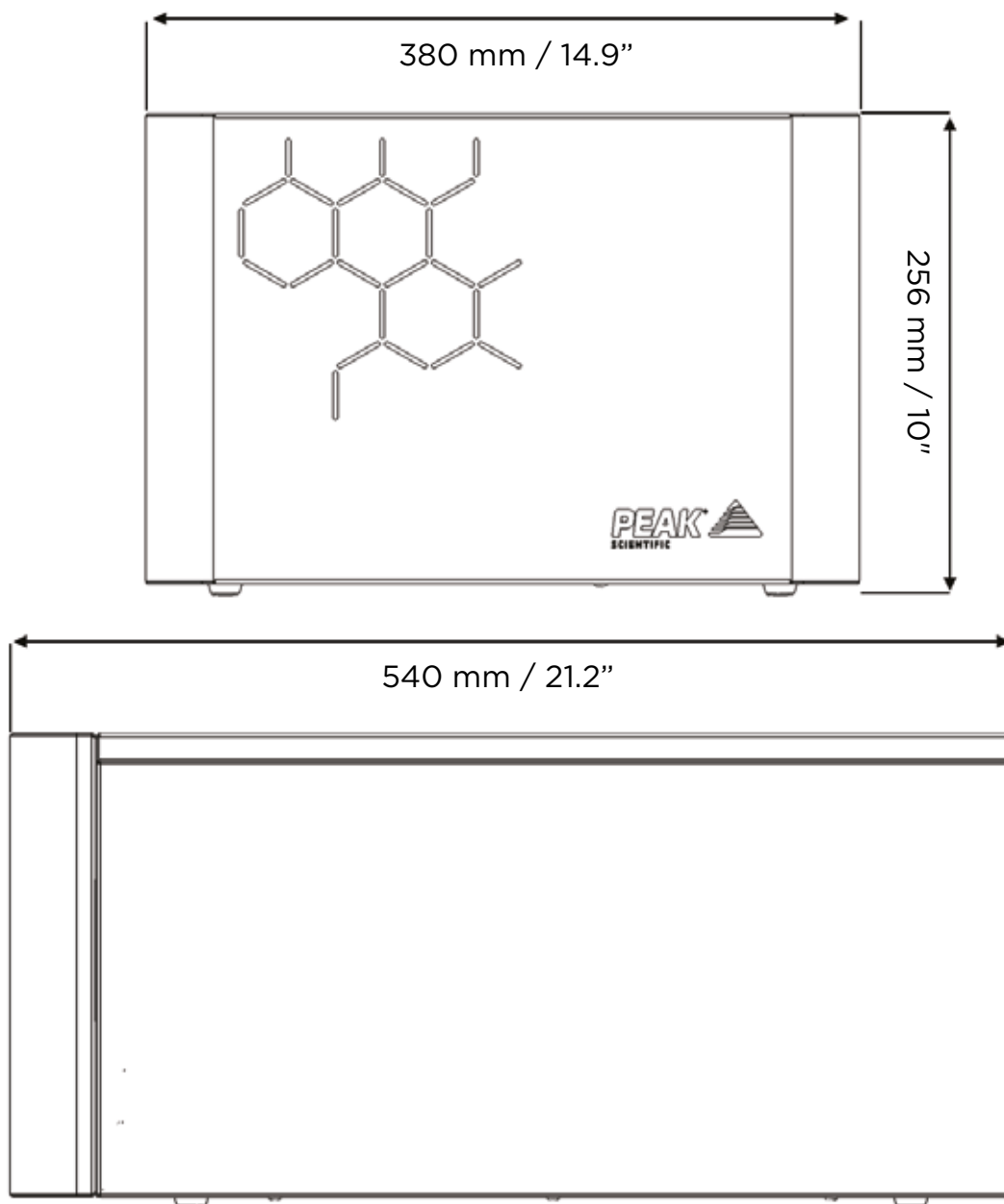
Generator Overview

1.5L & 3.5L General Dimensions



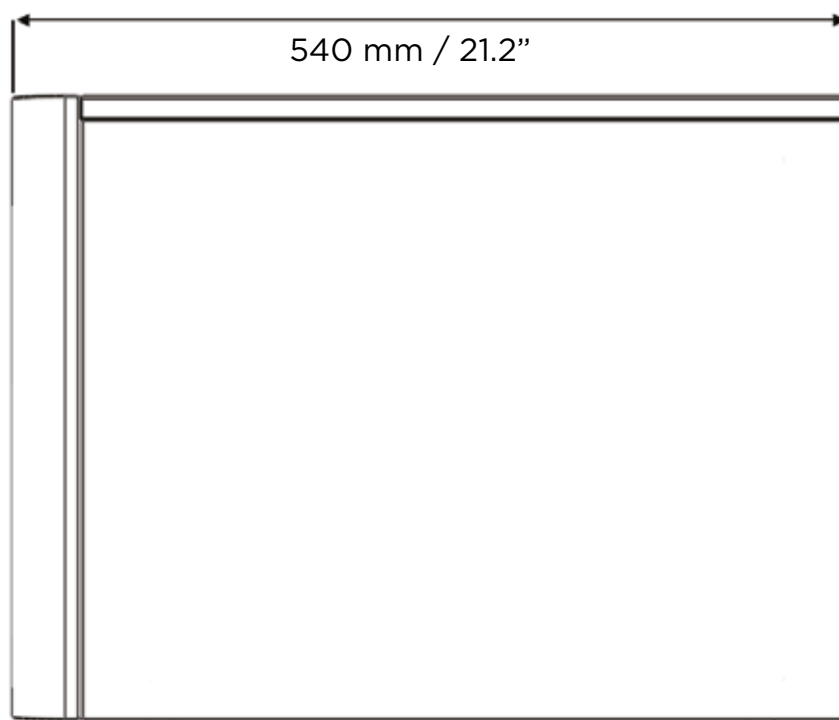
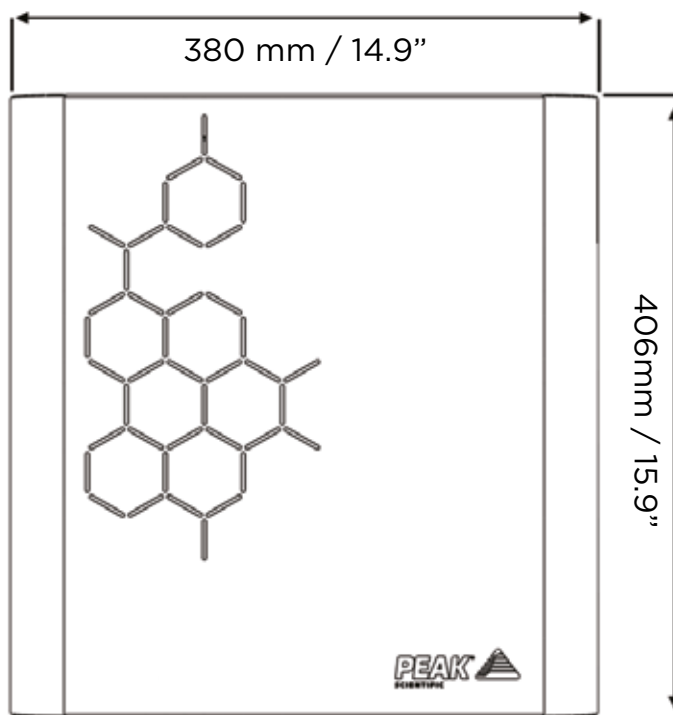
The generator must always be placed on a flat, level surface. Failure to do so will affect the performance of the generator.

7L & 18L General Dimensions



The generator must always be placed on a flat, level surface. Failure to do so will affect the performance of the generator.

30L General Dimensions



The generator must always be placed on a flat, level surface. Failure to do so will affect the performance of the generator.

1.5L & 3.5L Rear Connections

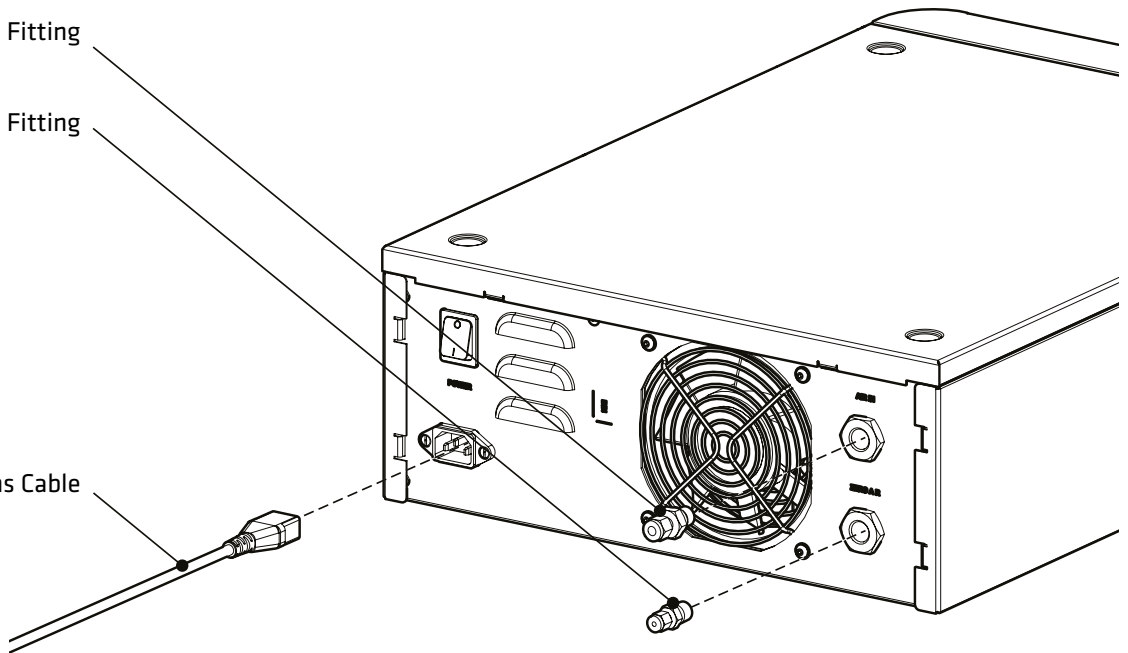


Ensure all connections are linked to the correct application and are completed by trained personnel. Generator must be switched off and unplugged prior to any cleaning or maintenance operation.

1/4" Compression Fitting

1/8" Compression Fitting

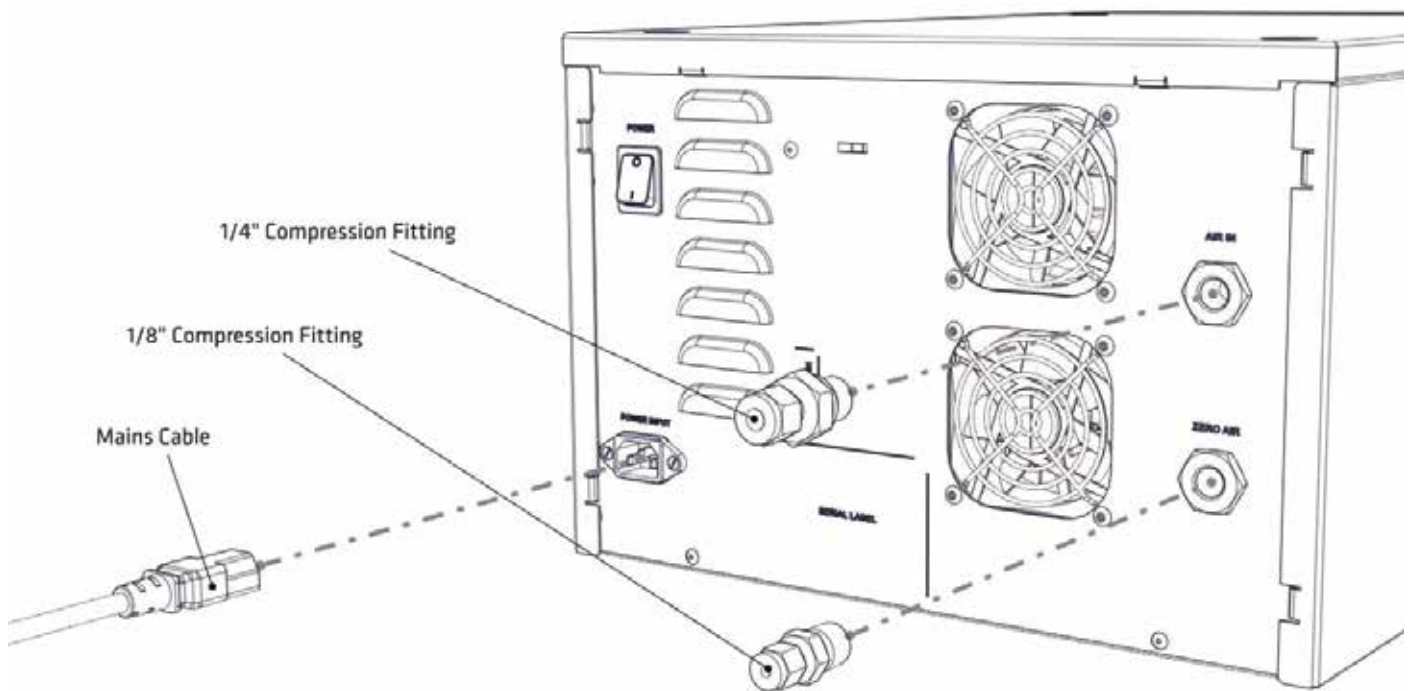
Mains Cable



7L & 18L Rear Connections



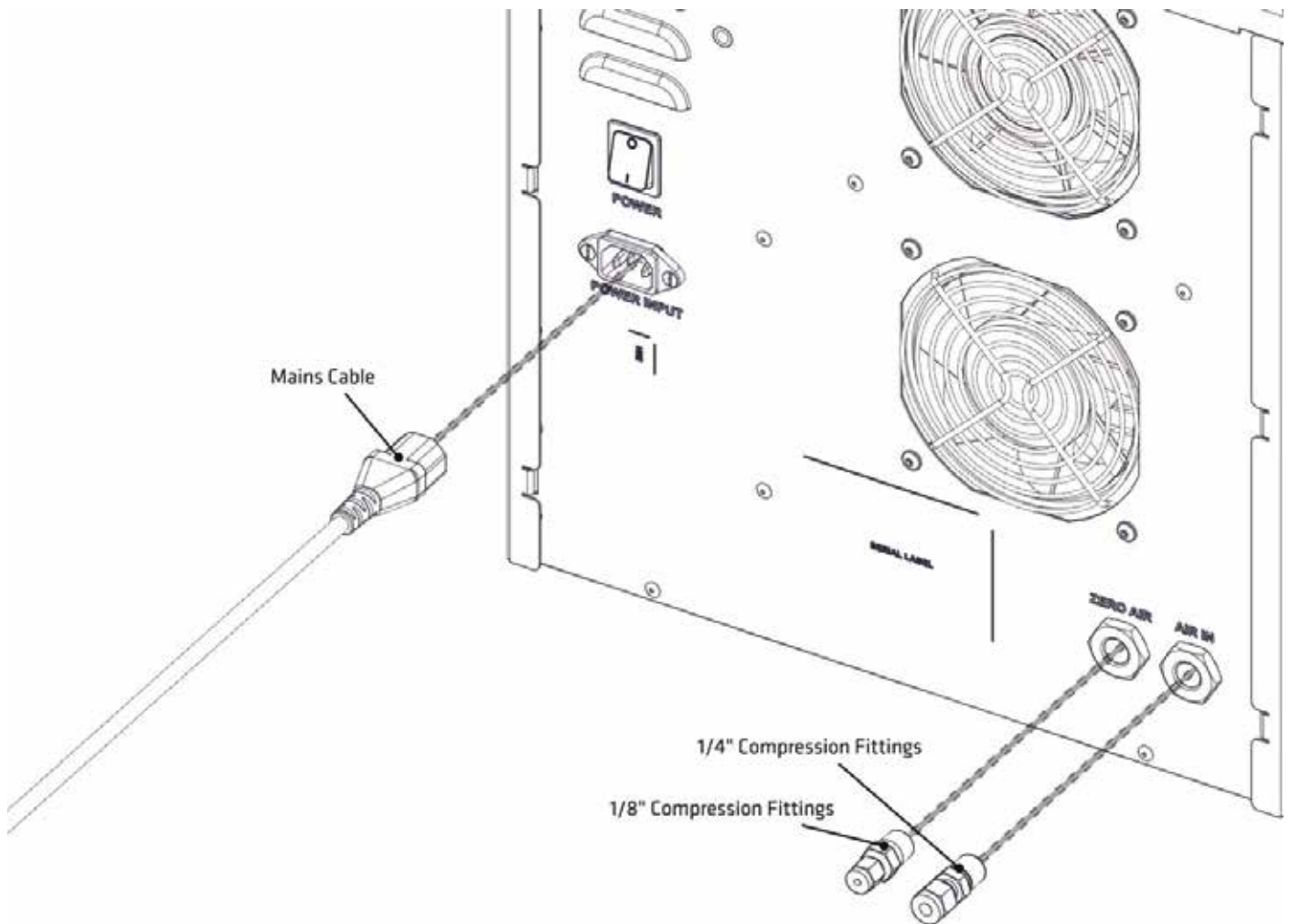
Ensure all connections are linked to the correct application and are completed by trained personnel. Generator must be switched off and unplugged prior to any cleaning or maintenance operation.



30L Rear Connections



Ensure all connections are linked to the correct application and are completed by trained personnel. Generator must be switched off and unplugged prior to any cleaning or maintenance operation.



Electrical Connection

Connect the Generator to an appropriate 110 or 230 volt single-phase supply, refer to the generator serial plate for input specification and ensure your supply matches the requirements.

If the appropriate power cord is not supplied; a new plug, rated to at least 12 amps, can be fitted by a qualified electrician.

If a substitute mains power supply cable is used ensure that it has adequate rating and appropriate approvals for the country of operation . Failure to do so can damage the generator



This unit is classified as SAFETY CLASS 1. THIS UNIT MUST BE EARTHED. Before connecting the unit to the mains supply, please check the information on the serial plate. The mains supply must be of the stated AC voltage and frequency.

EARTH/GROUND (E):- Green & Yellow or Green

LIVE (L):- Brown or Black

Neutral (N):- Blue or White

Electrical requirements are 110 or 230VAC nominal +/- 10% depending on chosen model. However, running continuously at voltages outwith this is not recommended. Extended periods at extremes can have a detrimental effect on the operation and life of the Generator.



If the equipment is used in a manner not specified by the manufacturer, the protection provided by the equipment maybe impaired.

Air Purity

The Precision Zero Air Series generator should be connected to an air supply that, as a minimum, meets ISO8753-1:2010 Class 1.4.1

Class 1 Particulate

In each cubic metre of compressed air, the particulate count should not exceed 20,000 particles in the 0.1 - 0.5 micron size range, 400 particles in the 0.5 - 1 micron range and 10 particles in the 1 - 5 micron size range.

Class 4 Water

A pressure dew point (PDP) of +3°C or better is required and no liquid water is allowed.

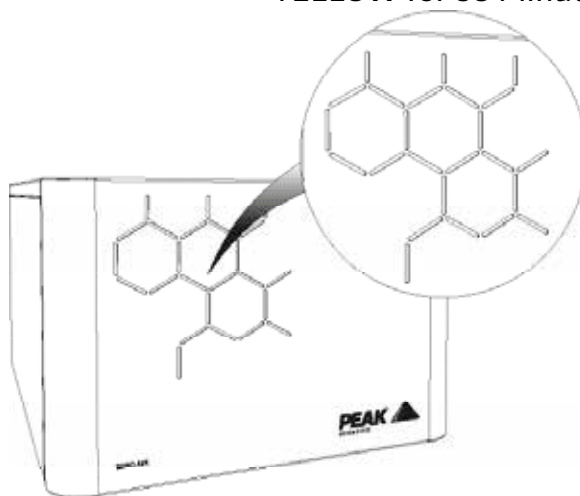
Class 1 Oil

In each cubic metre of compressed air, not more than 0.01mg of oil is allowed. This is a total level for liquid oil, oil aerosol and oil vapour.

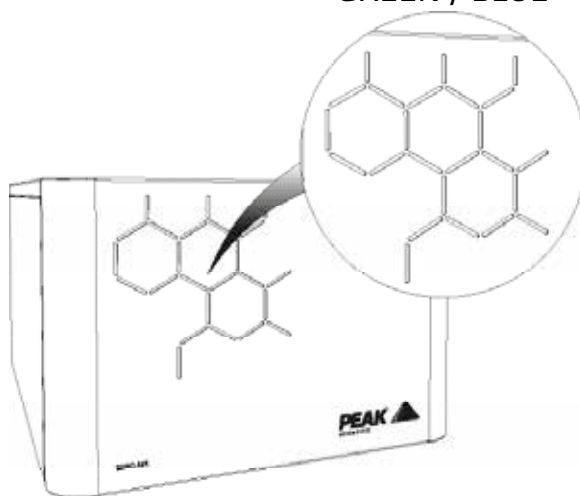
Start-Up Sequence

Switch the generator on using the power switch on the rear panel of the unit. Please note: On 30L generators, air will only flow through the generator when the power is switched on. The LED's on the front panel will illuminate **YELLOW** for the start-up period.

YELLOW for 60 Minutes



On completion of the start-up period, up to 60 minutes, the fascia will illuminate **GREEN** or **BLUE (70-**** Part Numbers Only)**. The generator is now ready to be used.



On Demand Gas

The generator system will produce zero air on demand. If the application is operating and requires a gas flow, the generator it is connected to will supply this to suit the requirements of the application. If the application requirement for gas stops, the system will also stop. If the demand from the application starts again, the system will automatically start again to suit the demand.

Unusual Operation

If at any time the generator begins to emit excessive noise or vibration, then it should be switched off and you should contact Peak Scientific or the Peak Partner from which the generator has been purchased.

Connecting to the application

Once the initial purge run of 60 minutes has completed the generator is now ready to be connected to the application(s).



The pressure must be allowed to dissipate before connecting the generator to the application(s)

Attach the 1/8" compression fitting to the outlet of the generator. Using either 1/8" copper or stainless steel tubing, connect the outlet of the generator to the inlet of the application.

If you require more tubing than is supplied please refer to the Tubing Lengths section.



Once the tubing is connected to the application, please ensure that it is thoroughly checked for being leak-tight. Even the slightest leak in the gas supply between the generator and the application can lead to a reduction in efficiency.

Tubing Lengths



The diameter of the tubing which will be connected to the gas outlet is important and is determined by the length of tubing required. Failure to follow these recommendations could lead to an excessive pressure drop between the generator and its application.

- < 10 meters: Use 1/4"/3/16" (1/4" O/D, 3/16" I/D) P.T.F.E. tubing.
- > 10 - 40 meters: Use 3/8"/5/16" (3/8" O/D, 5/16" I/D). Tubing and fittings not supplied in the fittings kit.
- > 40 metres: Please contact Peak Scientific with the relevant distance and we will calculate the flow resistance and the tubing size required.

A combination of 1/4"/3/16" and 3/8"/5/16" tubing may be used to ensure that there is no large diameter tubing within the lab (i.e. for the first 20 meters from the generator use 3/8"/5/16" and the final 10 meters to the application use 1/4"/3/16" tubing). Keep the connections and bends to a minimum.

Service Requirements

Only Peak approved and supplied components should be used on the Precision Zero Air range

Service Schedule

Purchase Interval	Component	Visit
12 months	Precision Zero Air Annual Service Kit	www.peakscientific.com/ ordering


Peak Protected

With Peak Scientific you invest in not only a product but peace of mind. With a network of certified Peak engineers stationed throughout the globe, Peak's rapid response team are never far away and our commitment is to keep your generator running day in, day out, protecting your laboratory workflow.

[Peak Protected] can provide...



Installation
A dedicated Peak engineer will visit your lab to install and setup your generator



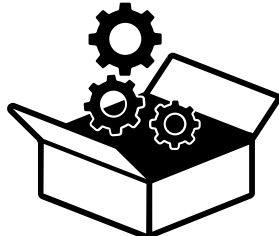
Complete plan
Swift response by a Peak Service Engineer within 72 hours & planned preventative maintenance



Premium Protected
Guaranteed rapid on-site response within 24 hours & planned preventative maintenance



IQ/OQ
Certified assurance for applications requiring documented qualification



Spares
Genuine Peak parts with express delivery, ensuring optimal performance and lifetime



Technical Support Hotline
Around the clock support by phone or online with our global technical helpdesk

To find out more about protecting your investment visit: www.peakscientific.com/protected

Cleaning

Clean the outside of the generator only using warm soapy water and a clean damp cloth. Ensure all excess fluid is thoroughly removed from the cloth prior to use.



Cleaning should only be undertaken with the power switched off and the power cord removed from the rear of the Generator.



CAUTION



Under no circumstances should any solvents or abrasive cleaning solutions be used as these can contain fumes that could be harmful to the generator. Chlorine-based bleaches/cleaning solutions should not be used on the generator or within their operating environment.



CAUTION

Care should be taken with Leak Detections Liquids.

Troubleshooting

Problem	Possible Solution
<p>The generator will not switch on and the power switch does not illuminate.</p>	<ul style="list-style-type: none"> • Ensure power cord is plugged into the generator and that the power socket is turned on. • Check the fuse in the power cord plug. • Contact your service provider. 
<p>The fascia LED's have not illuminated but the power switch is illuminated.</p>	<ul style="list-style-type: none"> • Contact your service provider. 
<p>The instrument is reporting low pressure.</p>	<ul style="list-style-type: none"> • Check for leaks between the generator and instrument. • Contact your service provider.
<p>The fascia Yellow illumination does not change to green/blue.</p>	<ul style="list-style-type: none"> • Contact your service provider.

Go Online or Complete and Return

We know that registering any of your recently purchased products is not the first thing on your mind- but it is very important to both of us. Not all warranties are alike and Peak Scientific stand out against other gas suppliers as we offer a comprehensive, quick response, on-site warranty. This means that in the very unlikely case that your gas generator develops a fault we have rapid support teams on-hand around the world who are able to come to your lab and get you back up and running in no time.

Register for your **comprehensive 12 month on-site warranty** with ease online at www.peakscientific.com/protected.

Alternatively, you can send the completed form to Peak Scientific by post or email at warranty@peakscientific.com.

Go Online or Complete and Return

You can register for your **FREE 12 month Warranty** with ease online at www.peakscientific.com/protected.

Alternatively, you can send the completed form to Peak Scientific by post or email at warranty@peakscientific.com.

Product Warranty Registration			
Contact name			
Email address			
Company			
Address			
City/town			
Postcode			
Country			
Telephone			
Generator serial #			
Model type			
Installation date			
Do you still use an alternative gas solution i.e. cylinders or bulk liquid?	Yes	No	
What gas requirements do you have in your lab?	Hydrogen	Nitrogen	Zero Air

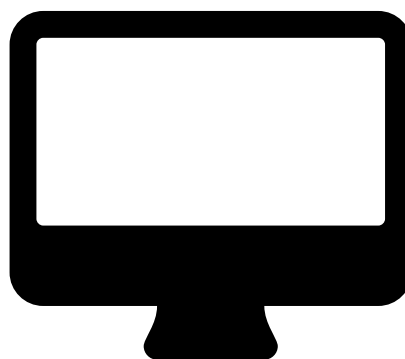
Extend your cover with

Peak Scientific offer comprehensive gas generator after sales support packages. Peak [Protected] aftercare support can guarantee an on-site response within 72 hours*, genuine parts from our ISO9001 approved factory and a 95% first-time fix rate. See our enclosed Peak [Protected] leaflet for further information.

Important!

You have 1 month to register your Peak Scientific product from the date of installation. Once registered the warranty will be honoured for a period of 12 months. If you wish to defer the installation of your generator, you must notify Peak Scientific immediately by emailing warranty@peakscientific.com. For generators that remain unregistered after 1 month from the shipment date, the warranty will be considered active from the date of factory dispatch.

* Complete Plan only



Important!

You have **1 month to register** your Peak Scientific product from the date of installation. Once registered the warranty will be honoured for a period of 12 months. If you wish to defer the installation of your generator, you must notify Peak Scientific immediately by emailing warranty@peakscientific.com. For generators that remain unregistered after 1 month from the shipment date, the warranty will be considered active from the date of factory dispatch.

[**PEAK Protected**]TM

Peak Scientific has highly trained, fully certified Field Service Engineers located in over 20 countries across every continent around the world. This allows us to provide an industry-leading rapid response service to our customers. With [**Peak Protected**], your laboratory's productivity becomes our top priority.

To discuss Peak Protected generator cover and payment options speak to your local Peak Representative or for further information contact: protected@peakscientific.com

Peak Scientific

Fountain Crescent
Inchinnan Business Park
Inchinnan
PA4 9RE
Scotland, UK

Tel: +44 141 812 8100

Fax: +44 141 812 8200

For further information on any of our generator products please contact marketing@peakscientific.com

