

Using a Dual LTM Series II System with Flow Modulated Comprehensive GCxGC

Application Note

Application Area Identifier

Author

Roger L Firor
Agilent Technologies, Inc.
2850 Centerville Rd
Wilmington, DE
19808

Abstract

A comprehensive GCxGC system based on differential flow modulation is described that uses three independent programmable ovens. The first dimension separation occurs in the 7890A air bath oven while two simultaneous second dimension separations occur on 5 inch LTM Series II modules. All columns operate in constant flow mode. Oven temperature programs can be customized independently for each column. Typically the two LTM columns will be of different polarities and phase ratios to maximize the information that can be gathered from the sample. A typical column configuration consists of a 20 m × 0.18 mm × 0.25 μm DB5ms for the first dimension, a 7 m × 0.25 mm × 0.2 μm HP-INNOWax for LTM module 1 and a 5 m × 0.25 mm × 0.15 μm DB17HT for LTM module 2. Many other column combinations are possible.



Agilent Technologies

Introduction

Conventional flow modulated GCxGC usually consists of one first dimension column and one second dimension column where both are subjected to the same temperature program. The basic one-oven system has been described previously [1,2]. Flow modulation also has the distinct advantage of not requiring cryo fluids for operation, rather it relies on a high flow differential between 1st and 2nd dimensions for operation.

Careful matching of the retention factors (k) between the first and second column is necessary in a one-oven system in order to produce meaningful 2D data and avoid the wrap around effect. The wrap around effect occurs when analytes injected onto the second column do not elute in one modulation cycle. However, the single oven system is in widespread use for a variety of applications and works well if k 's are matched appropriately.

Flow modulated GCxGC works best when all columns are operated in constant flow mode. The Low Thermal Mass (LTM) Series II system is fully integrated into the GC and MSD ChemStations and Agilent 7890A firmware allowing control of all parameters. Since this integration enables LTM to operate in constant flow, the system can be easily interfaced to a flow modulated GCxGC 7890 system.

Experimental

A diagram of the system is shown in Figure 1. A Capillary Flow Technology (CFT) splitter is used to direct the out flow from the CTF modulator to two LTM column modules for a simultaneous dual channel GCxGC analysis. Each column operates with its own independent temperature program.

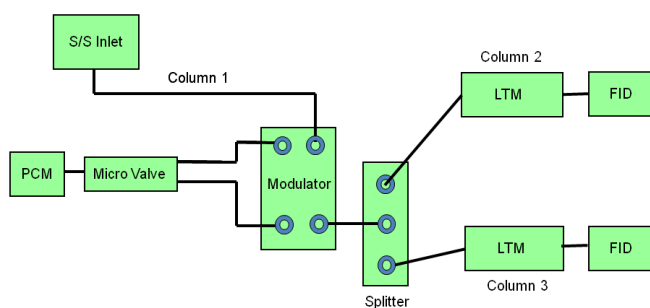


Figure 1. Diagram of the dual LTM GCxGC system.

The operation scheme of the flow modulator showing both the load and inject states is shown in Figure 2. Effluent for the first column fills the collection channel, and before significant diffusion or overflow occurs the three way valve is switched and a high flow (21 mL/min) controlled by the PCM injects the channel contents into the two second dimension columns. The modulation cycle then repeats based on the user set collect and inject times.

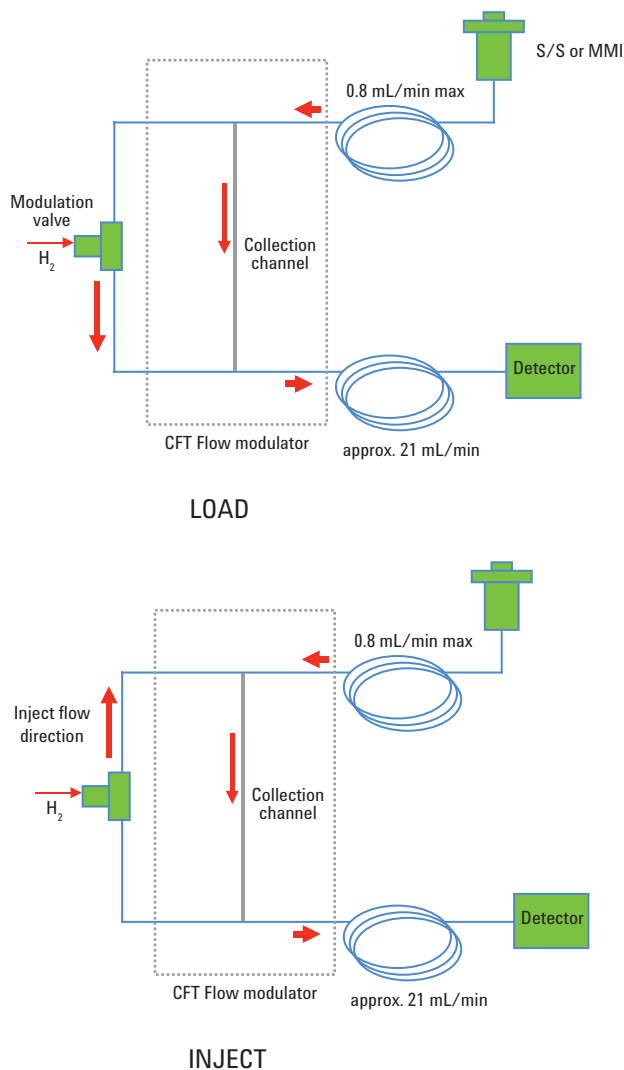


Figure 2. Operational detail of the flow modulator showing load and inject states.

Column 1 flow rate depends on column dimensions, but cannot exceed 0.8 mL/min. Figure 3 shows the relationship between modulation period and Column 1 flow rate.

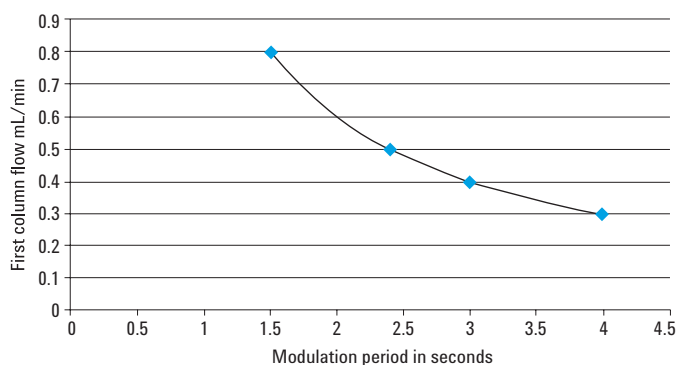


Figure 3. Relationship between modulation period and first dimension column flow rate.

Referring again to Figure 1, since LTM column flow rate is controlled by a single PCM, column flow will be the same in both modules provided they are of the same dimension. If this is not the case, the column configuration (in Chemstation) should set the PCM to control the longer or more restrictive column at 21 mL/min or greater. The second LTM column will then operate at a higher flow. Therefore, it is advisable that the two LTM columns do not differ greatly in length. Also, it is best to keep the second dimension columns at 0.25 mm ID. For this work, LTM column pairs were either both 5 meter or 5 and 7 meter. An example column configuration Chemstation pane for the system is shown in Figure 4.

Column	Calibration Results	Inlet	Outlet	Heated By
1 Agilent 19091J-413: 400 °C: 7 m x 250 µm x 0.25 µm Additional Segments: inSeg Heated By Oven: 0.5 m x 250 µm x 0 µm outSeg Heated By Oven: 0.5 m x 250 µm x 0 µm HP-5 5% Phenyl Methyl Siloxan: <Not Inventoried>	Uncalibrated	PCM A-1	Front Detector	LTM-II
2 J&W Custom LTM 5M: 320 °C: 5 m x 250 µm x 0.15 µm Additional Segments: inSeg Heated By Oven: 0.3 m x 250 µm x 0 µm outSeg Heated By Oven: 0.6 m x 250 µm x 0 µm LTM 5M x 0.25 x 0.25: <Not Inventoried>	Uncalibrated	PCM A-1	Back Detector	LTM-II
3 450 °C: 20 m x 180 µm x 0.18 µm restrictor: <Not Inventoried>	Uncalibrated	Front Inlet	PCM A-1	Oven

Figure 4. Column configuration pane from the GC Chemstation showing set up of all three columns.

Hardware

Agilent 7890A GC with S/S inlet and dual FID's	
Flow modulator	G3440A option887, and G3487A
If adding to existing GC	G3486A
CFT un-purged splitter	Kit: G3181-64010
LTM Series II	G6680A, 2-channel, 5-inch system, two power supplies

Firmware and Chemstation

Agilent 7890A firmware	A.01.12.1 or greater
ChemStation	B.04.03 DSP1, includes LTM II software

Typical Parameters

Carrier gas	Hydrogen
Primary column	20 m × 0.18 mm × 0.18 μm HP-1
LTM Module 1	7 m × 0.25 mm × 0.25 μm HP-INNOWax, or 5 m × 0.25 mm × 0.15 μm HP-INNOWax
LTM Module 2	5 m × 0.25 mm × 0.15 μm DB17HT
Primary column flow	0.35 mL/min, 27.6 psi starting pressure
LTM 1	20 mL/min, 25.6 psi starting pressure (7 m column)
LTM 2	29 mL/min
Inlet	Split/splitless, 280 °C, 200-600 to 1 split
Primary oven program	35 °C (2 min) to 280 °C @ 3 °C/min
LTM 1 program	55 °C (3 min) to 270 °C @ 5 °C/min
LTM 2 program	60 °C (5 min) to 300 °C @ 3 °C/min
LTM InSeq retention gaps	0.5 m × 0.25 mm
LTM OutSeq retention gaps	0.5 m × 0.25 mm
Detectors	dual FID's at 300 °C

GCxGC Parameters

Load time	2.700 sec
Inject time	0.090 sec
Modulation period	2.799 sec

GCxGC Data Processing Software

GC Image, Version 2.1b4

Results and Discussion

In flow modulated GCxGC, greater flexibility in optimizing methods may be achieved by use of independent ovens for the first and second dimension columns. Correct matching of the retention factors between the 1st and 2nd dimension columns is critical for achieving the best performance with flow modulated GCxGC. If retention on the 2nd D column is too high, analytes injected during one modulation cycle may not elute completely before the next modulation begins.

When a second independent oven is available for the 2nd dimension column, more column choices are available in terms of phase ratio and length. Using a temperature offset, (2nd column starts at higher temp compared to 1st) may allow more retentive columns to be used. Then fine tuning the temperature ramp rate becomes an additional tool to help achieve a difficult separation throughout a 2D chromatographic run or in a particular section of a run. Employing an LTM module for the second dimension makes this possible.

The system can be further enhanced by inserting a CFT unpurged splitter between the modulator and the 2nd dimension. This allows two completely independent 2nd dimension LTM modules (with different stationary phase polarities) to be used which will yield two sets of 2D data for each run.

In figure 5a, a lower phase ratio 7 m INNOWax column is used for the analysis of a jet fuel. When both 1st and 2nd dimension columns are in the air bath oven, the standard 5 m × 0.25 mm × 0.15 μm column must be used to avoid wrap around at low oven ramp rates. With the second column configured as an LTM, longer, thicker film columns can be used to achieve better group separation while ensuring that all compounds will elute from the 2nd column in one modulation cycle. Figure 5b shows the same jet fuel analyzed simultaneously on a less polar 5 m × 0.25 mm × 0.15 μm DB17HT. Both offer useful information and allow different levels of compound group determination when using GC Image.

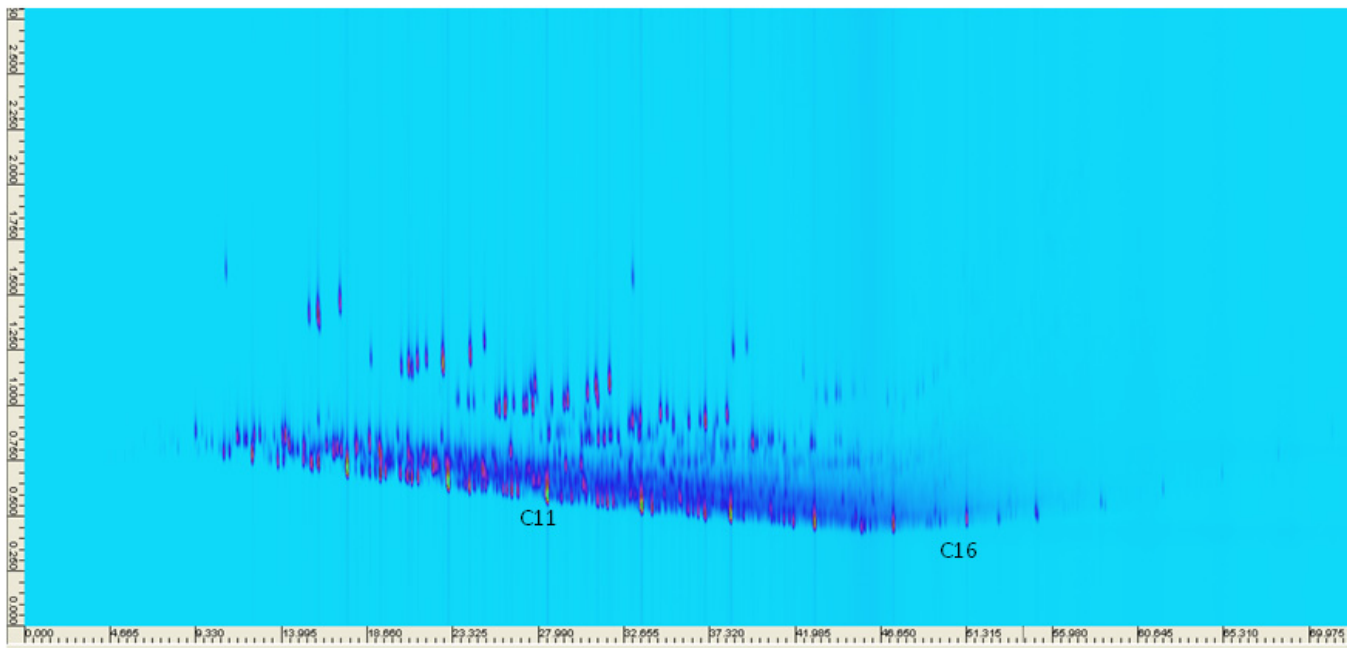


Figure 5a. Jet fuel 2D image. 7 m × 0.25 mm × 0.24 μm HP-INNOWax, LTM program: 55 °C (3 min) to 270 °C @ 5 °C/min. 7890A program: 35 °C (2 min) to 280 °C @ 3 °C/min.

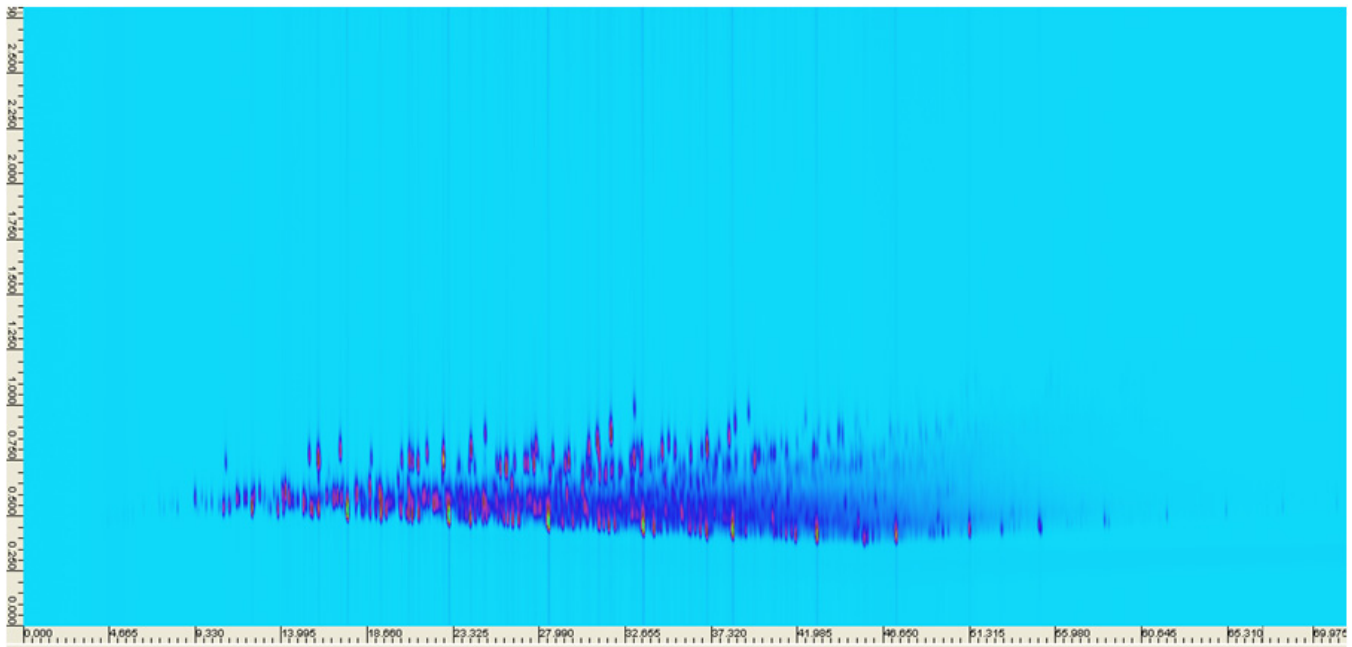


Figure 5b. Jet fuel on 5 m × 0.25 mm × 0.15 μm DB17HT, LTM program: 60 °C (5 min) to 300 °C @ 3 °C/min. 7890A program: 35 °C (2 min) to 280 °C @ 3 °C/min.

2D images of a fragrance additive used in detergents is shown in figures 6a and 6b, on the 7 m INNOWax and DB17HT LTM columns, respectively. Peak 3, 4-tert-butyl-cyclohexyl acetate, shown on the wax column eluted on a second modulation cycle. However, it remains well separated from other components and does not complicate interpretation of the 2D image. Labeled compounds determined by a GC × GC - 5975C MSD system.

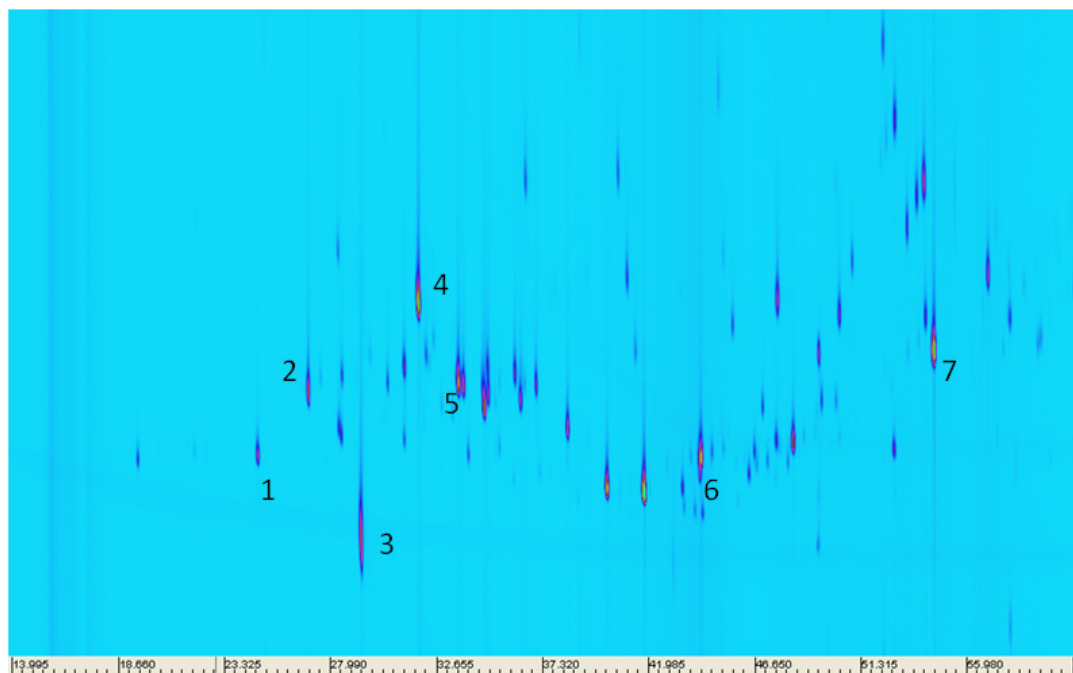


Figure 6a. Fragrance additive using 7 m INNOWax for 2nd dimension, LTM program: 55 °C (3 min) to 270 °C @ 5 °C/min. 7890A program: 35 °C (2 min) to 280 °C @ 3 °C/min. 1. Alpha Pinene, 2. Limonene, 3. 2,6 dimethyl 7-octen-2-ol, 4. Phenethyl acetate, 5. Terpenol, 6. Bicyclopentadiene, 7. 4-tert-butylcyclohexyl acetate.

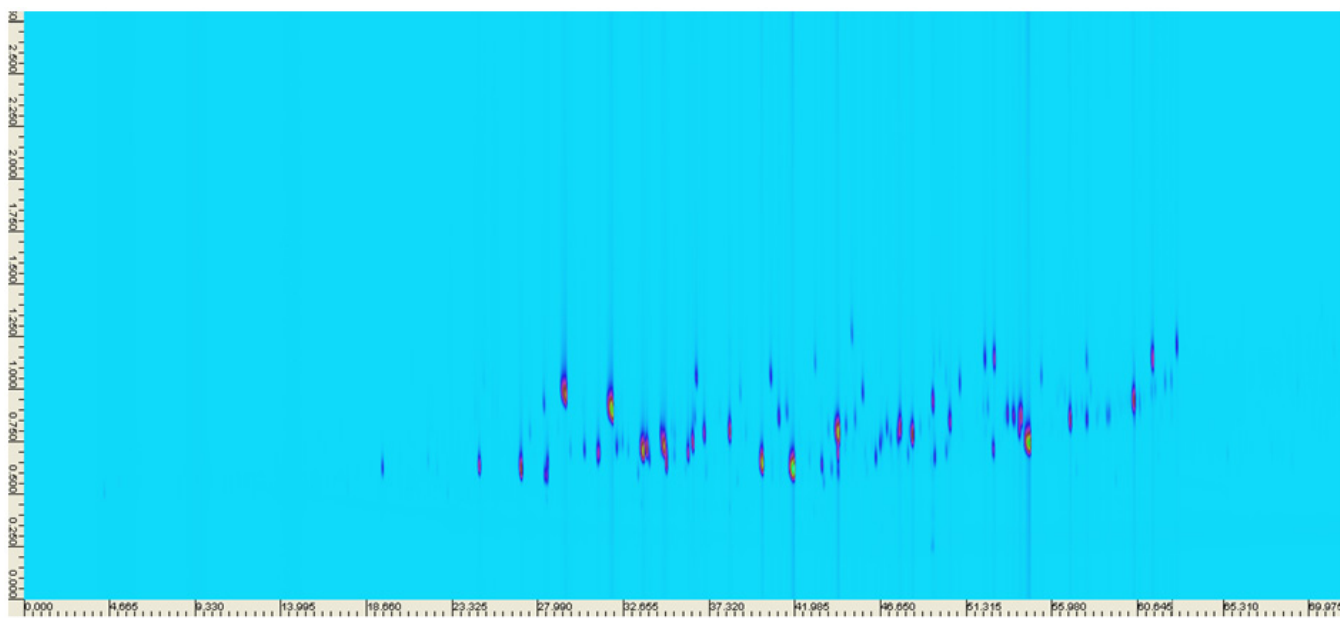


Figure 6b. Fragrance additive using 5m DB17HT for 2nd dimension separation. LTM program: 60 °C (5 min) to 300 °C @ 3 °C/min. 7890A program: 35 °C (2 min) to 280 °C @ 3 °C/min.

Lime oil images are shown in figures 7a and 7b. Only the regions around limonene are shown to highlight the separation differences on INNOWax and DB17HT. The 7M thicker film wax column separates minor components from dominate limonene. Compounds identified using a GC × GC - 5975C MSD system.

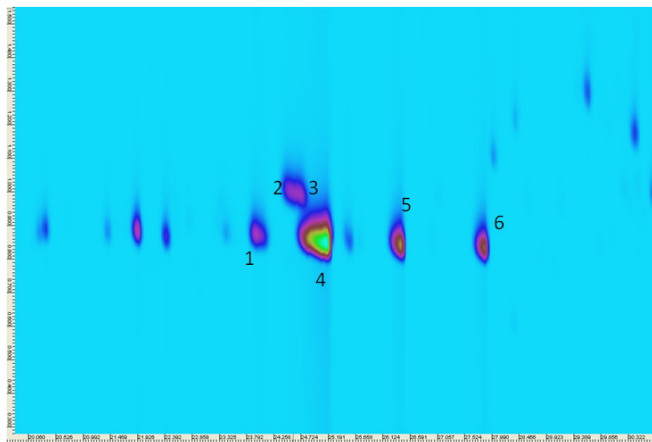


Figure 7a. Lime oil on the 7 m INNOWax. LTM program: 55 °C (3 min) to 270 °C @ 5 °C/min. 7890A program: 35 °C (2 min) to 280 °C @ 3 °C/min. 1. Alpha Pinene, 2. Limonene, 3. 2,6 dimethyl 7-octen-2-ol, 4. Phenethyl acetate, 5. Terpenol, 6. Bicyclopentadiene, 7. 4-tert-butylcyclohexyl acetate 1.beta pinene, 2. 1,4 Cineol, 3. m-cymene, 4. Limonene, 5. Terpinen, 6. Terpinolen

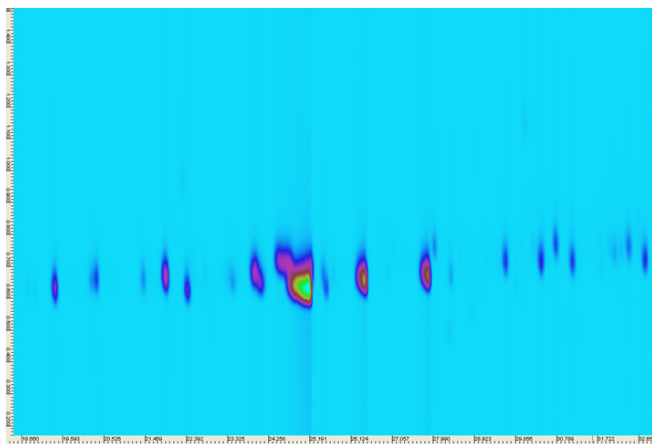


Figure 7b. Lime oil on the 5 m DB17HT. LTM program: 60 °C (5 min) to 300 °C @ 3 °C/min. 7890A program: 35 °C (2 min) to 280 °C @ 3 °C/min.

Finally, a 2D analysis of B20 (20% soy) biodiesel is shown in figure 8 using a 5 m × 0.25 mm × 0.15 μm INNOWax. Here, the LTM module and 7890 air oven are programmed at 3 °C/min. However the starting temperature of LTM is offset by minus 5 °C.

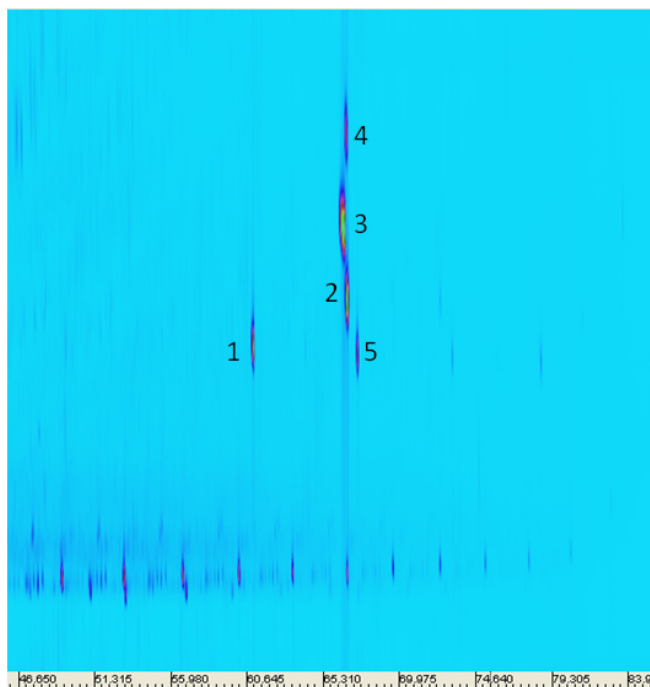


Figure 8. Separation of C16 and C18 fatty acid methyl esters in B20 biodiesel on a 5 m × 0.25 mm × 0.15 μm LTM INNOWax column in the 2nd dimension. LTM program: 30 °C (0 min) to 270 °C (5 min) @ 3 °C/min. 1. C16:0, 2. C18:1, 3. C18:3, 4. C18:3, 5. C18:0.

Conclusions

Comprehensive GCxGC is normally used when faced with a very difficult separation in a complex sample, perhaps a specific analyte determination. It is also a powerful tool for group determination, especially in fuels, and as a classification tool when used with chemometrics. The LTM series II system gives the analyst additional separation power and is easily interfaced to a flow modulated GCxGC system. Depending on how the system is configured, two or three independent temperature programs can be used. This allows a wider range of column retention in the second dimension to be used.

This work is intended to illustrate some of the possibilities where comprehensive GC and LTM technology can be put to work. Only one combination of column stationary phases was tested (DB5ms-INNOWax-DB17HT). Many other combinations are possible. For example, some useful combinations to consider with the dual LTM system where different polarities are used include (INNOWax-DB1-DC200), and (DB1-DB200-DB35). Reversing polarities (most polar as 1st dimension) can be useful, i.e. (DB210-DB1-DB17) for problems where a few polar compounds must be separated from a complex non-polar matrix. When using LTM with GCxGC, appropriate matching of the retention factors of the 1st to 2nd dimension columns is still important; however LTM offers some additional flexibility to use lower phase ratio columns through temperature offsets and temperature ramps.

References

1. Comprehensive Flow Modulated Two-Dimensional Gas Chromatography, Roger L. Firor, Application Note 5989-6078EN, 2008
2. Comprehensive GC System Based on Flow Modulation for the 7890 GC, Roger L. Firor, Application Note 5989-8060EN, 2009

For More Information

These data represent typical results. For more information on our products and services, visit our Web site at www.agilent.com/chem.

www.agilent.com/chem

Agilent shall not be liable for errors contained herein or for incidental or consequential damages in connection with the furnishing, performance, or use of this material.

Information, descriptions, and specifications in this publication are subject to change without notice.

© Agilent Technologies, Inc., 2011
Printed in the USA
June 20, 2011
5990-8391EN



Agilent Technologies