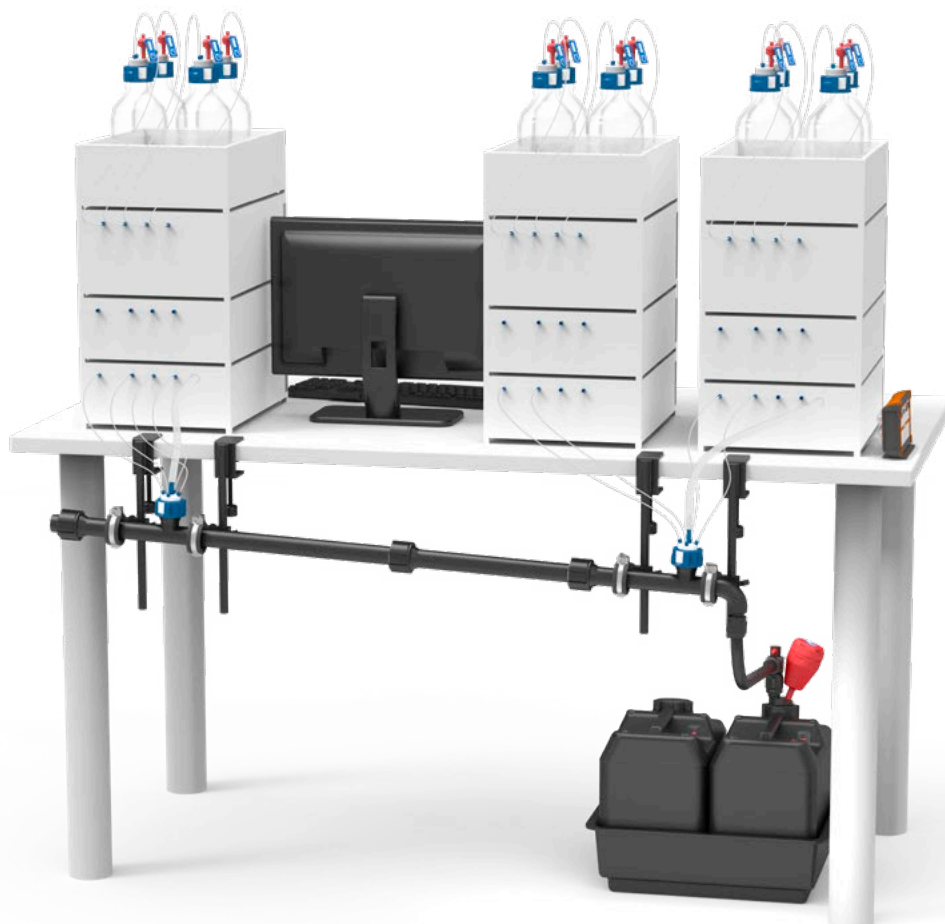
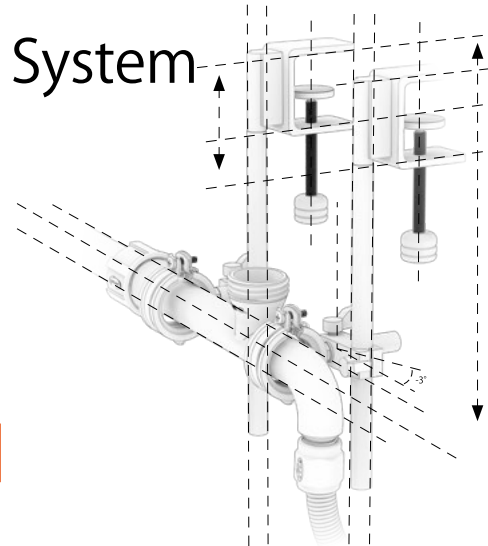


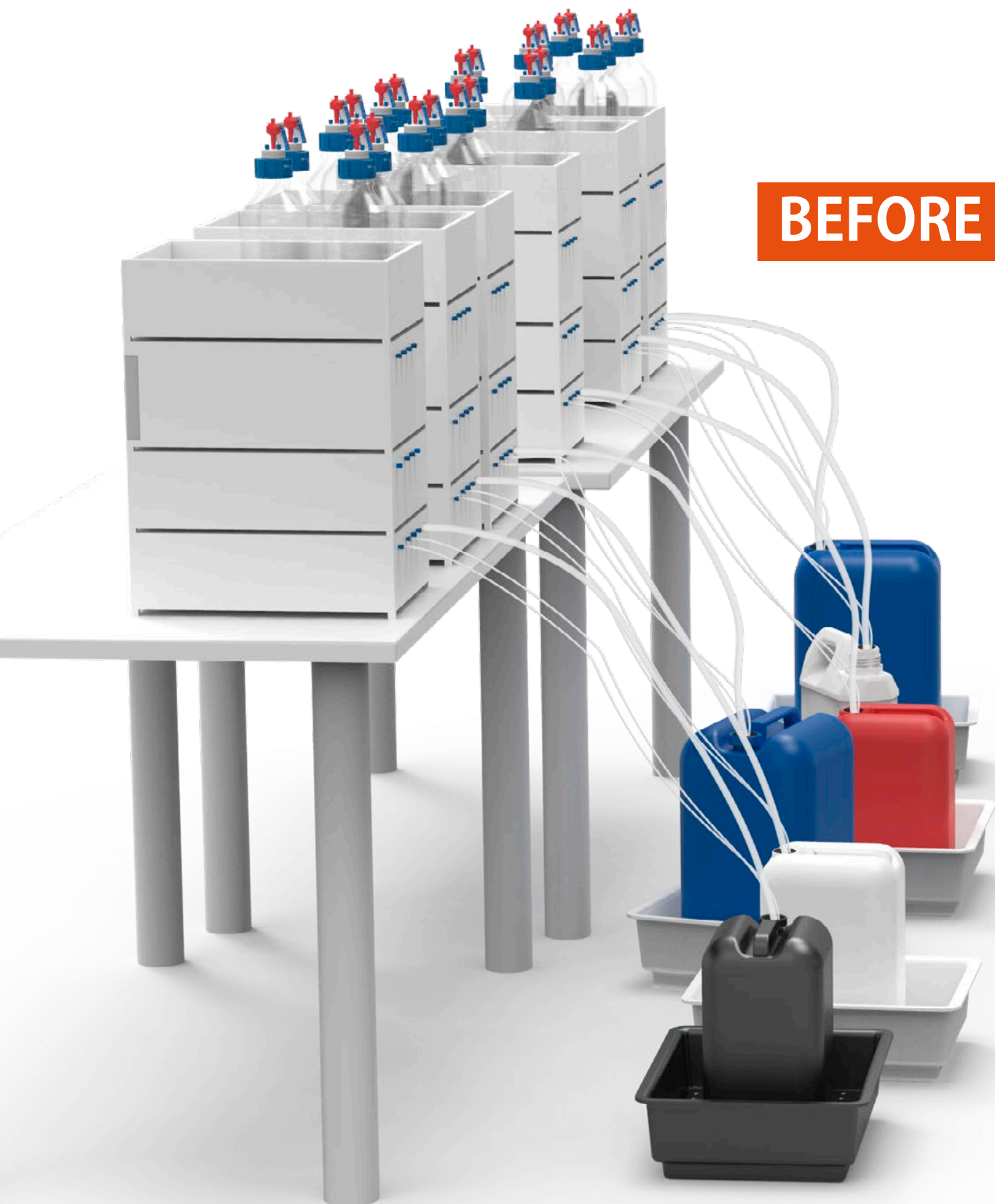
# SymLine FLEX

The Flexible Waste Disposal System for HPLC Work Stations.

- ✓ Retrofit / Laboratory refit
- ✓ Simple installation
- ✓ Do-It-Yourself modular system



**BEFORE**



**AFTER**



Intro

Filling Units

Pipe System

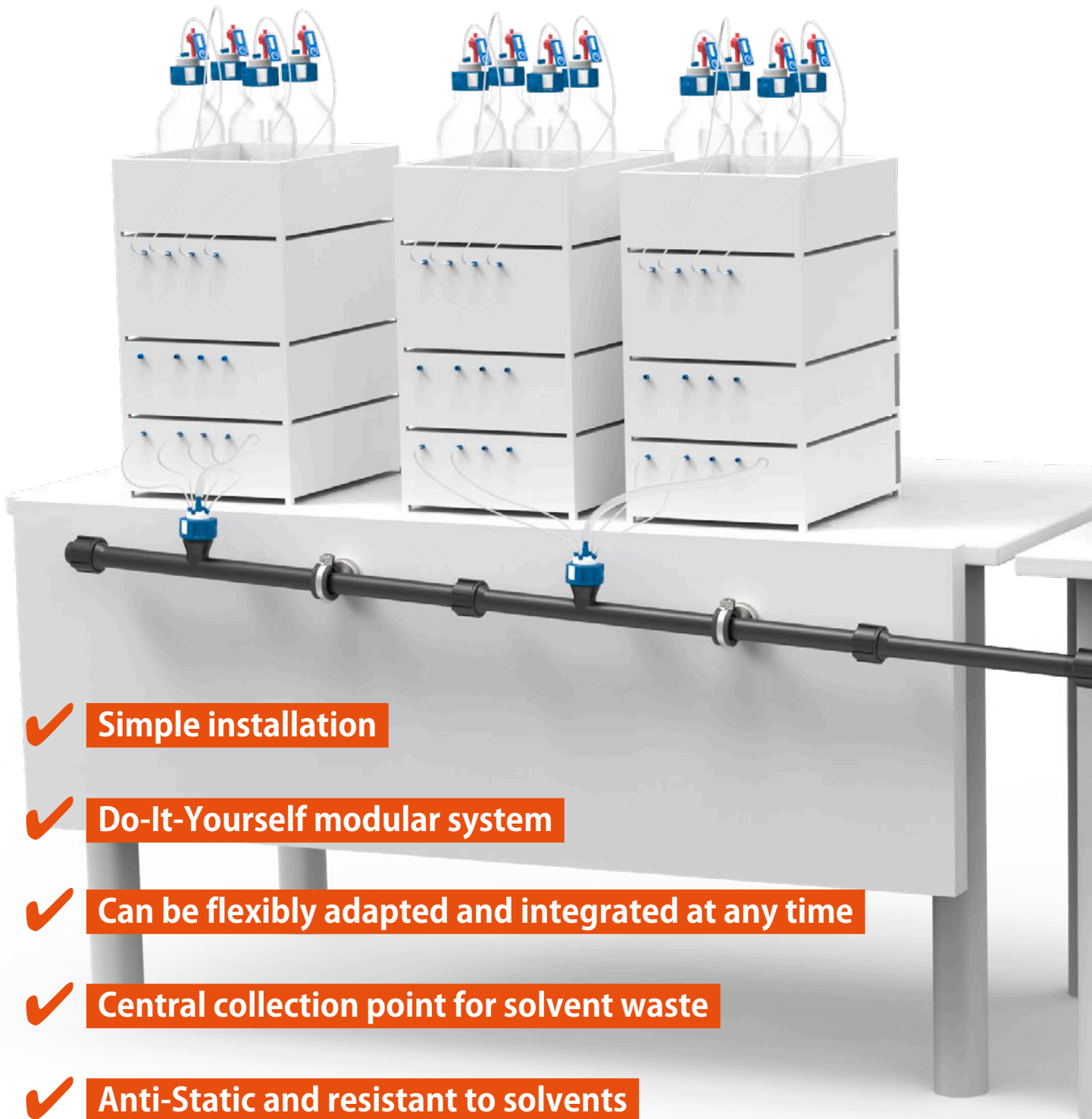
Disposal

Level Control

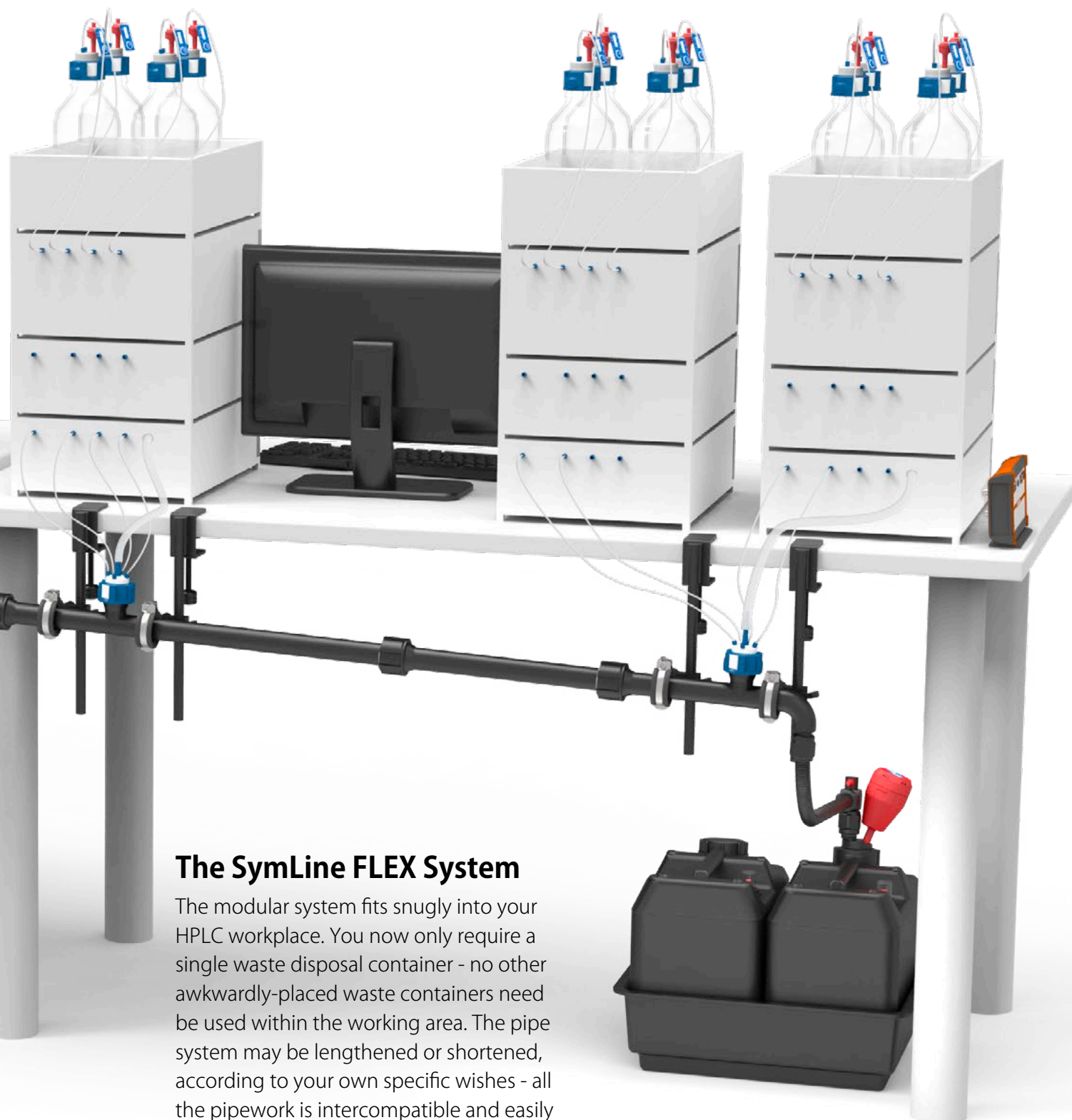
High Flow Solution

**FLEX**

Accessory



- ✓ **Simple installation**
- ✓ **Do-It-Yourself modular system**
- ✓ **Can be flexibly adapted and integrated at any time**
- ✓ **Central collection point for solvent waste**
- ✓ **Anti-Static and resistant to solvents**
- ✓ **Closed system, suitable for both solvent feed and waste disposal**



## The SymLine FLEX System

The modular system fits snugly into your HPLC workplace. You now only require a single waste disposal container - no other awkwardly-placed waste containers need be used within the working area. The pipe system may be lengthened or shortened, according to your own specific wishes - all the pipework is intercompatible and easily interconnected.

Intro

Filling Units

Pipe System

Disposal

Level Control

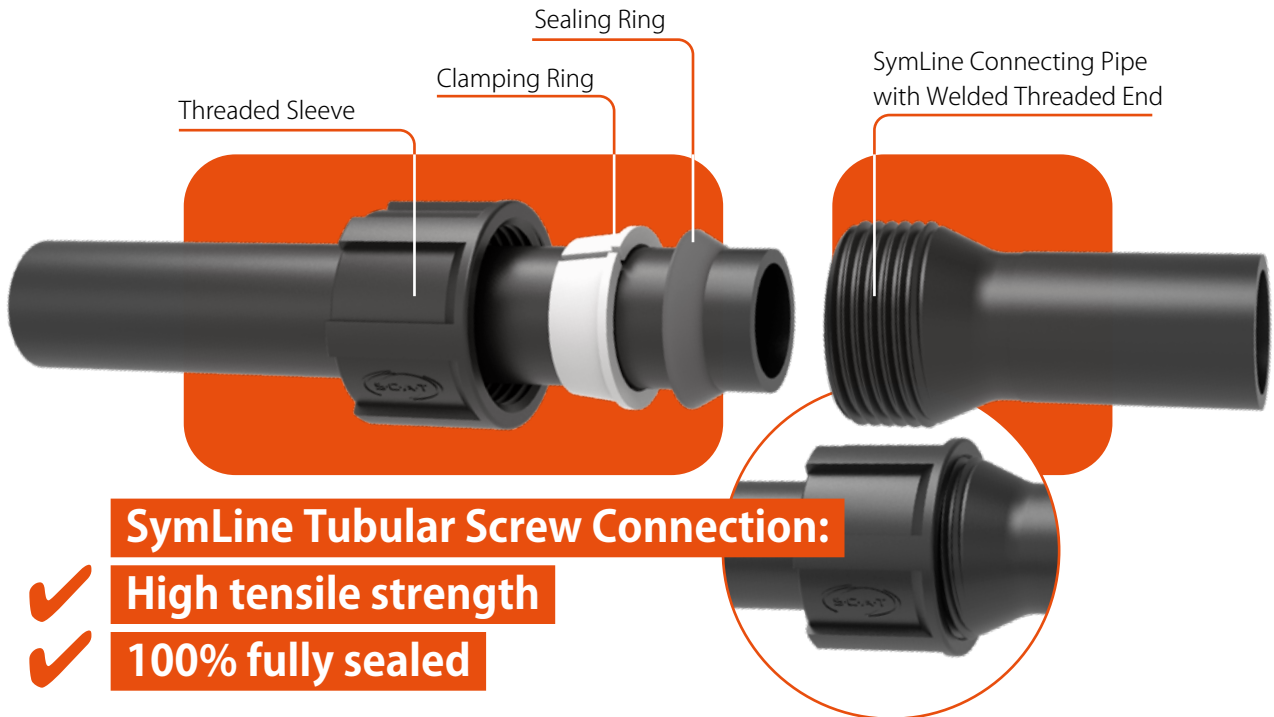
High Flow Solution

FLEX

Accessory

## The Tubular System: safe attachment, optimum flow direction.

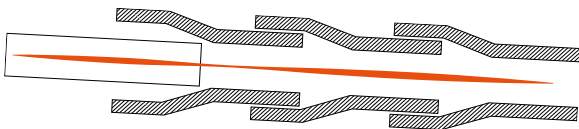
The SymLine FLEX tube extensions have a funnel-shaped threaded sleeve at one end and a smooth tube opening at the other. In order to tightly interconnect the tubular system, the threaded sleeve, clamping ring and sealing ring are simply pushed over the smooth end of one tube, and this is then firmly screwed on to the threaded part of the following extension piece ( i.e. on the other tube ). When done properly, the resulting connection will withstand a tensile force of 500 N. The system allows for optimum flow of waste liquids and prevents leakage.



### SymLine Tubular Screw Connection:

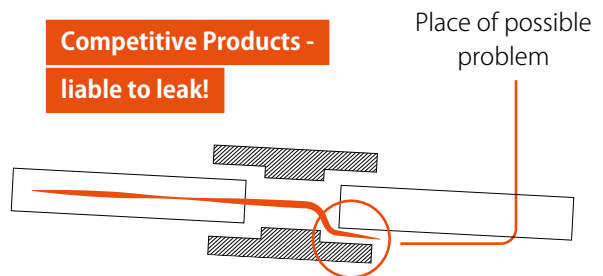
- ✓ High tensile strength
- ✓ 100% fully sealed

**SymLine Construction Method -  
optimal for waste transport**



Symline construction, with optimum liquid flow. Liquids flow continually downwards, from the smooth pipe end, into the interconnected threaded one.

**Competitive Products -  
liable to leak!**



Typical construction principle employed by our competitors. Smooth pipe ends are interconnected, using connecting sleeves. This results in increased danger of leakage.



### SymLine Material Properties

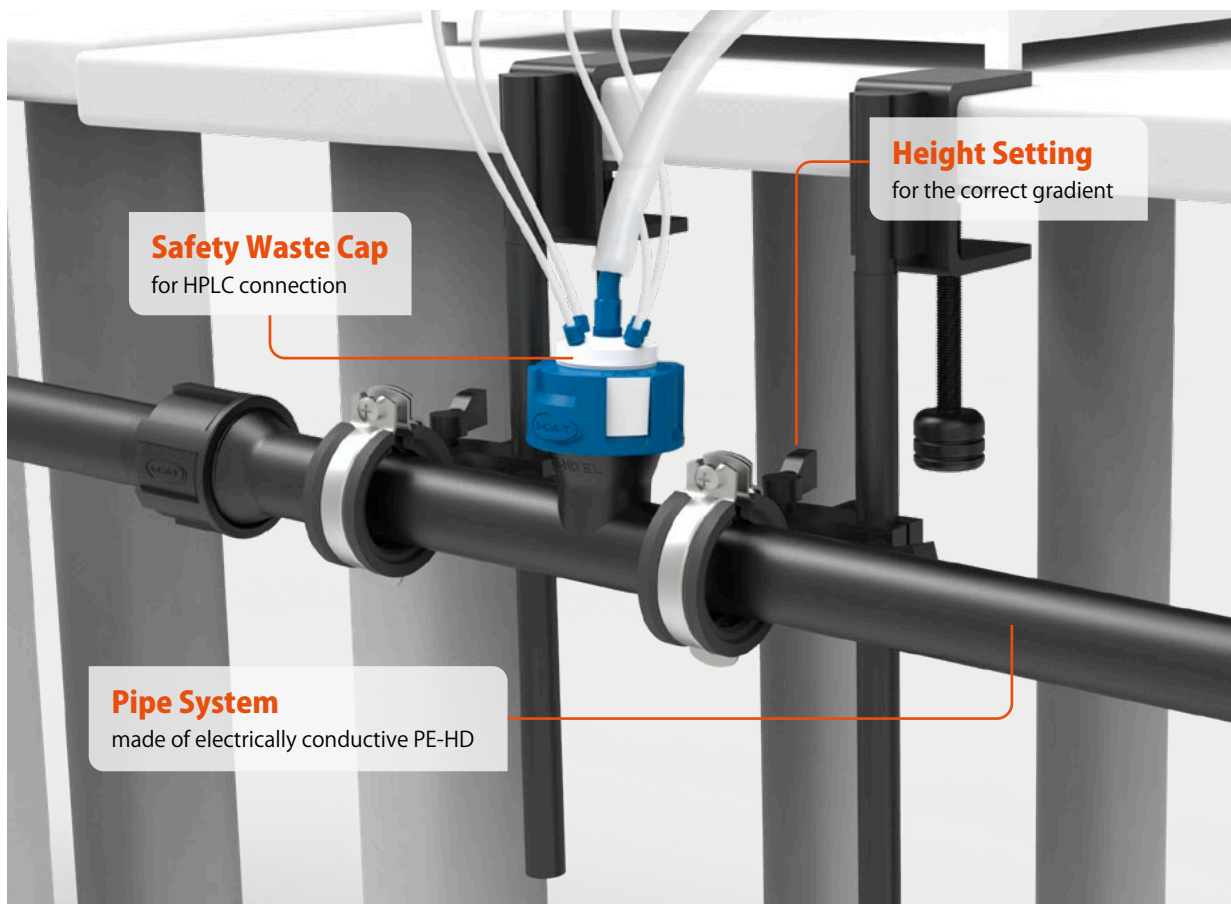
All components made of PE-HD EL can be earthed and are suitable for voltage equalization, as per TRGS 727. Electrically conductive PE-HD EL displays a discharge resistance against earth of  $< 10^9 \Omega$ , as per DIN EN 61340-5-1, and is suitable for Zones 0, 1 and 2, as per the German Hazardous Substances Ordinance (GefStoffV), EN 1127-1, DIN EN 60079-10-1 and DIN EN 60079-10-2. It is resistant to chemicals, as defined in SEFA 3 and SEFA 8.

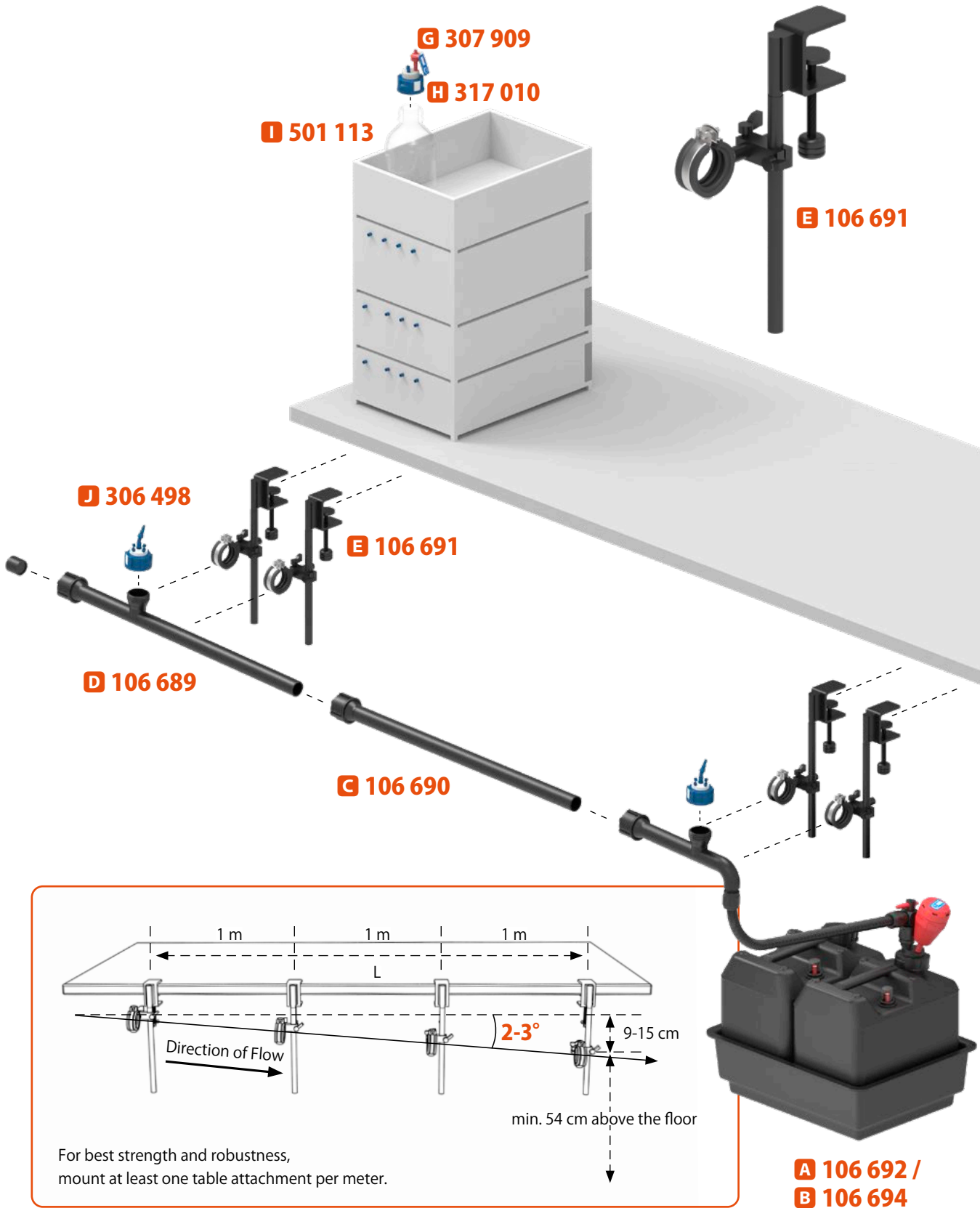
- ✓ **• TRGS 727**  
**• DIN EN 61340-5-1**
- ✓ **• GefStoffV Zone 0, 1 and 2**  
**• EN 1127-1**
- ✓ **• DIN EN 60079-10-1**  
**• DIN EN 60079-10-2**
- ✓ **• SEFA 3**  
**• SEFA 8**

## Installation: Easy, flexible and safe.

The flexible table installation allows for connections to your equipment to be made at any desired place. The resultant height then gives the required gradient - leading to a safe downward flow of liquid.

A table mounting is possible for various tabletop thicknesses, and the required attachments can be installed at the tabletop without the use of any tools.





Incline (degr.)	corresponds to %	Height Difference per Metre	Max. Length for a Table Height of 89 cm
2°	3,49 %	3 cm	L = 687 cm
3°	5,24 %	5 cm	L = 457 cm



## Flexible Wall Attachment

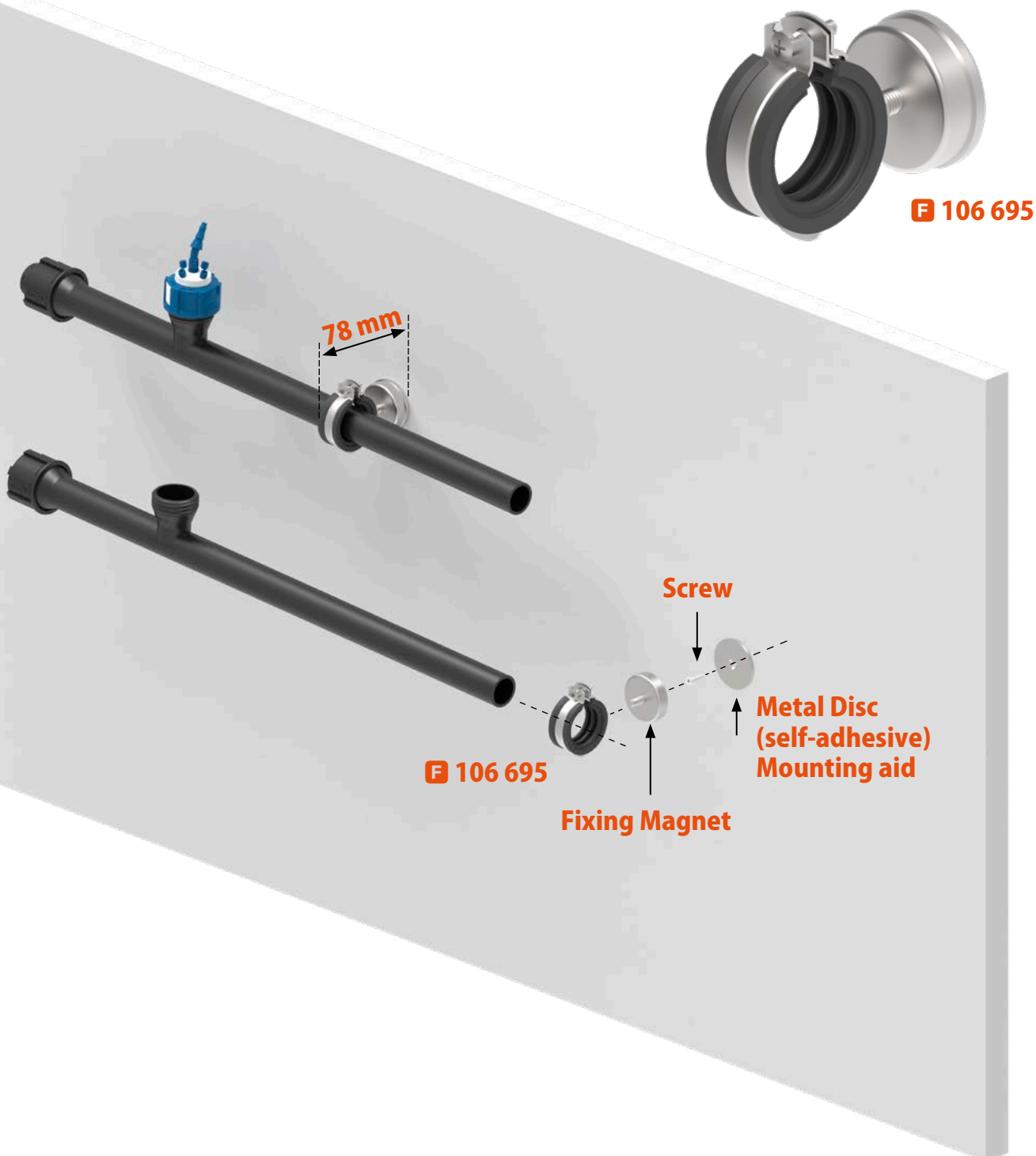
**Screw fastening:** suitable for wooden and synthetic surfaces.

**Self-adhesive:** non-destructive, suitable for almost all surface types.

**We only recommend self-adhesive variants as an aid to attachment!**

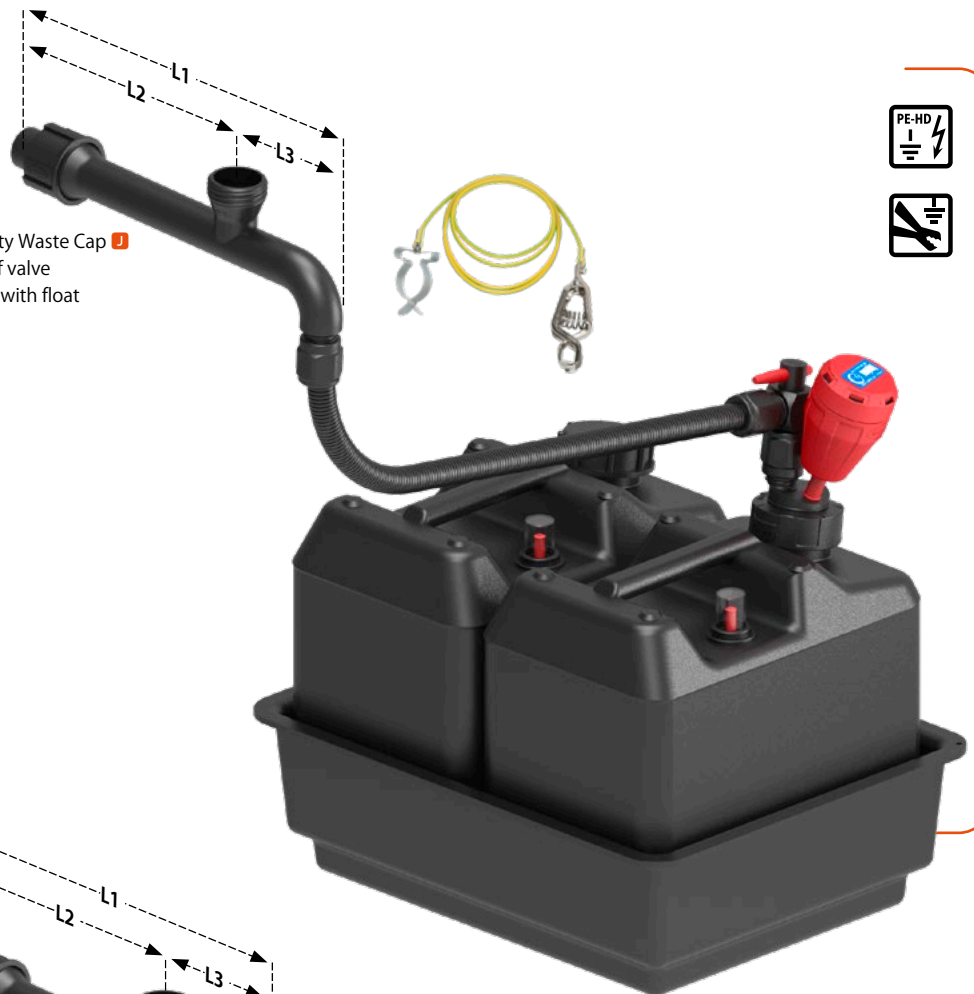
**Magnetic:** non-destructive, suitable for metal surfaces.

The strong fixing magnet provides for a sufficiently strong attachment - without screws.



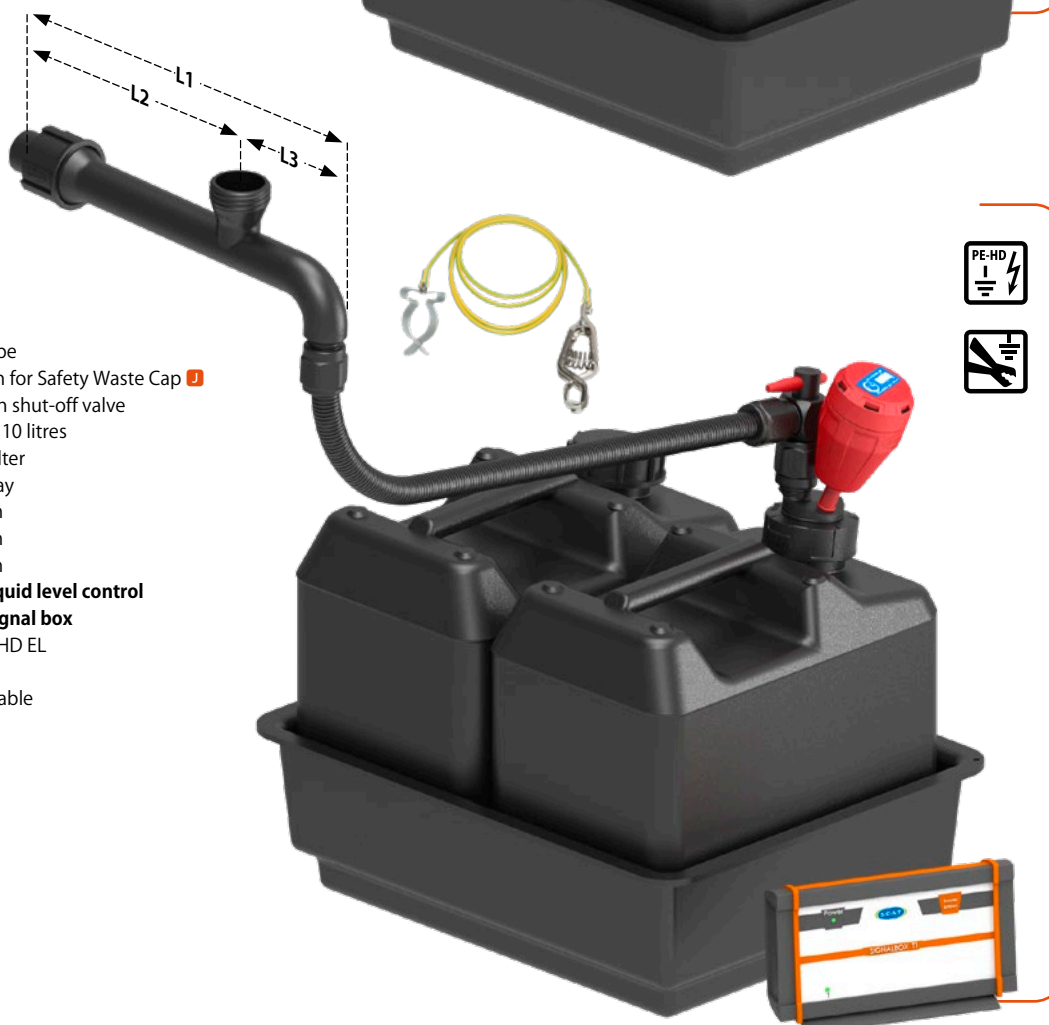
**A**  
**106 692**  
**BASIC**

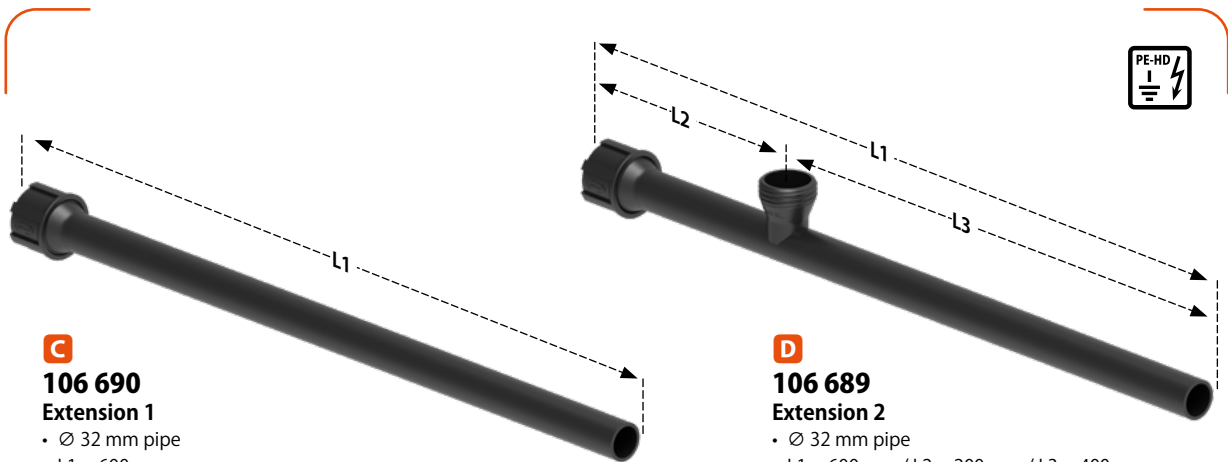
- Ø 32 mm pipe
- 1 Connection for Safety Waste Cap
- Flextube with shut-off valve
- 2x Canisters, 10 litres, with float
- 1x Exhaust filter
- Collection tray
- L1 = 310 mm
- L2 = 200 mm
- L3 = 110 mm
- Material: PE-HD EL
- Blind plug
- Grounding cable



**B**  
**106 694**  
**PREMIUM**

- Ø 32 mm pipe
- 1 Connection for Safety Waste Cap
- Flextube with shut-off valve
- 2x Canisters, 10 litres
- 1x Exhaust filter
- Collection tray
- L1 = 310 mm
- L2 = 200 mm
- L3 = 110 mm
- **Electronic liquid level control with table signal box**
- Material: PE-HD EL
- Blind plug
- Grounding cable





**C**  
**106 690**  
**Extension 1**  

- Ø 32 mm pipe
- L1 = 600 mm
- Material: PE-HD EL

**D**  
**106 689**  
**Extension 2**  

- Ø 32 mm pipe
- L1 = 600 mm / L2 = 200 mm / L3 = 400 mm
- 1 Connection for Safety Waste Cap **J**
- Material: PE-HD EL



**E**  
**106 691**  
**Table Attachment**  

- for Ø 32 mm pipes
- for table tops with up to 45 mm height

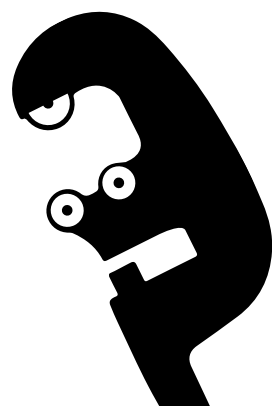
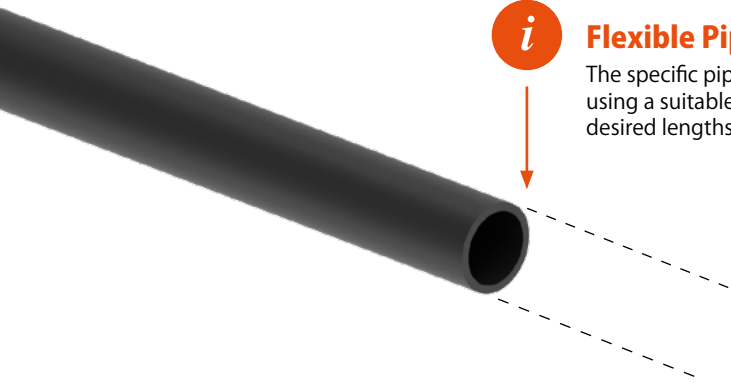


**F**  
**106 695**  
**Wall Attachment**  

- for Ø 32 mm pipes
- **3 Fastening options:**
  - Self-adhesive (Mounting aid)
  - Screw fastening
  - Magnetic

**i Flexible Pipe Lengths**

The specific pipe lengths required can be constructed, using a suitable pipe cutter. Shorten the pipes to the desired lengths, on their smooth sides.



## Safety Cap

Proven SCAT safety technology provides for optimum protection, both during the supply, and during the disposal, of solvents. Solvent vapours are blocked and filtered out. The system is therefore independent of other extraction systems within the laboratory.

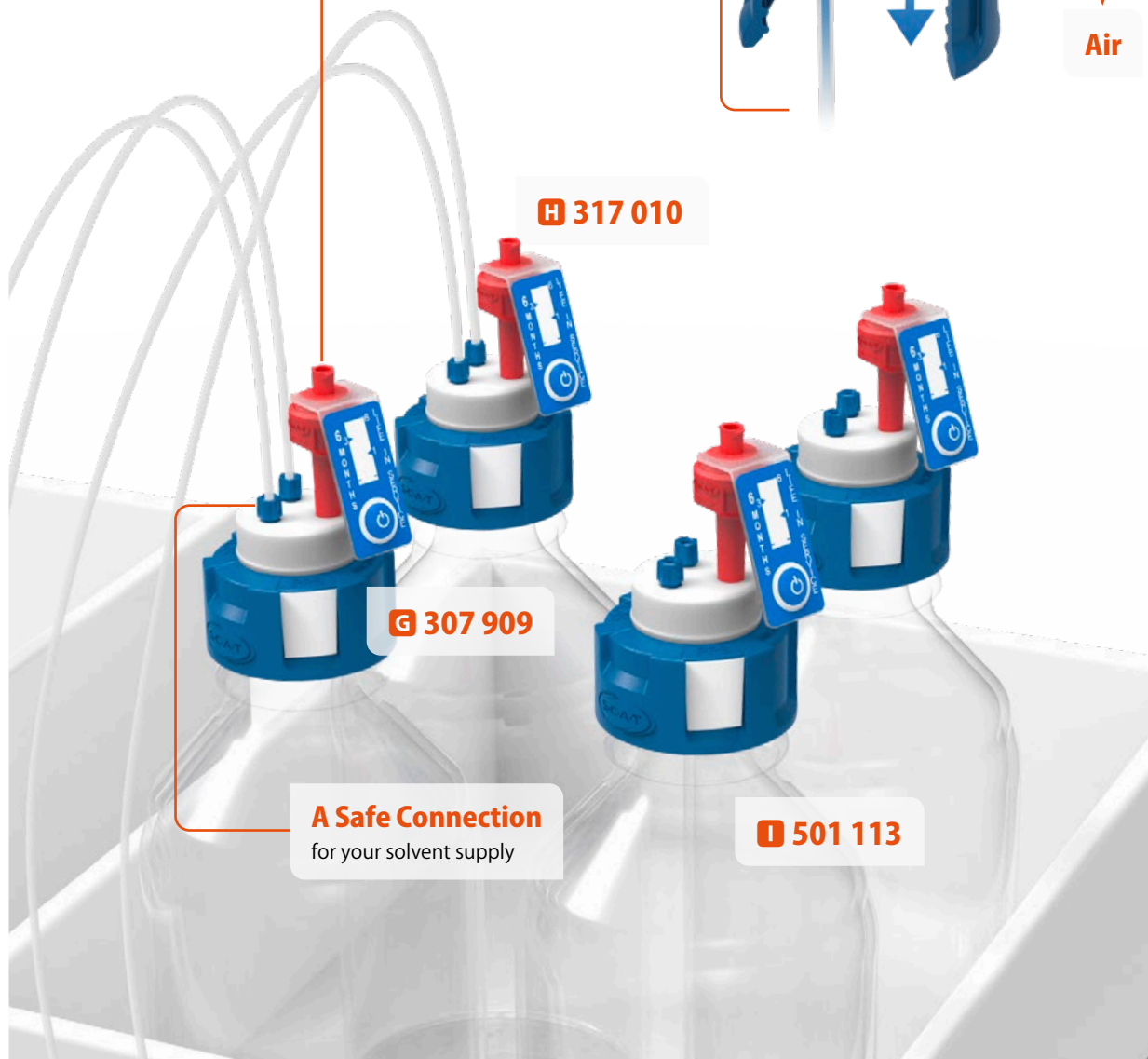
SCAT safety caps ensure that your solvents are kept clean and remain stable. They protect users and the environment from the effects of solvent vapours, and enable a continual smooth operation of the HPLC facility.

### Safety Caps

with air ventilation valve

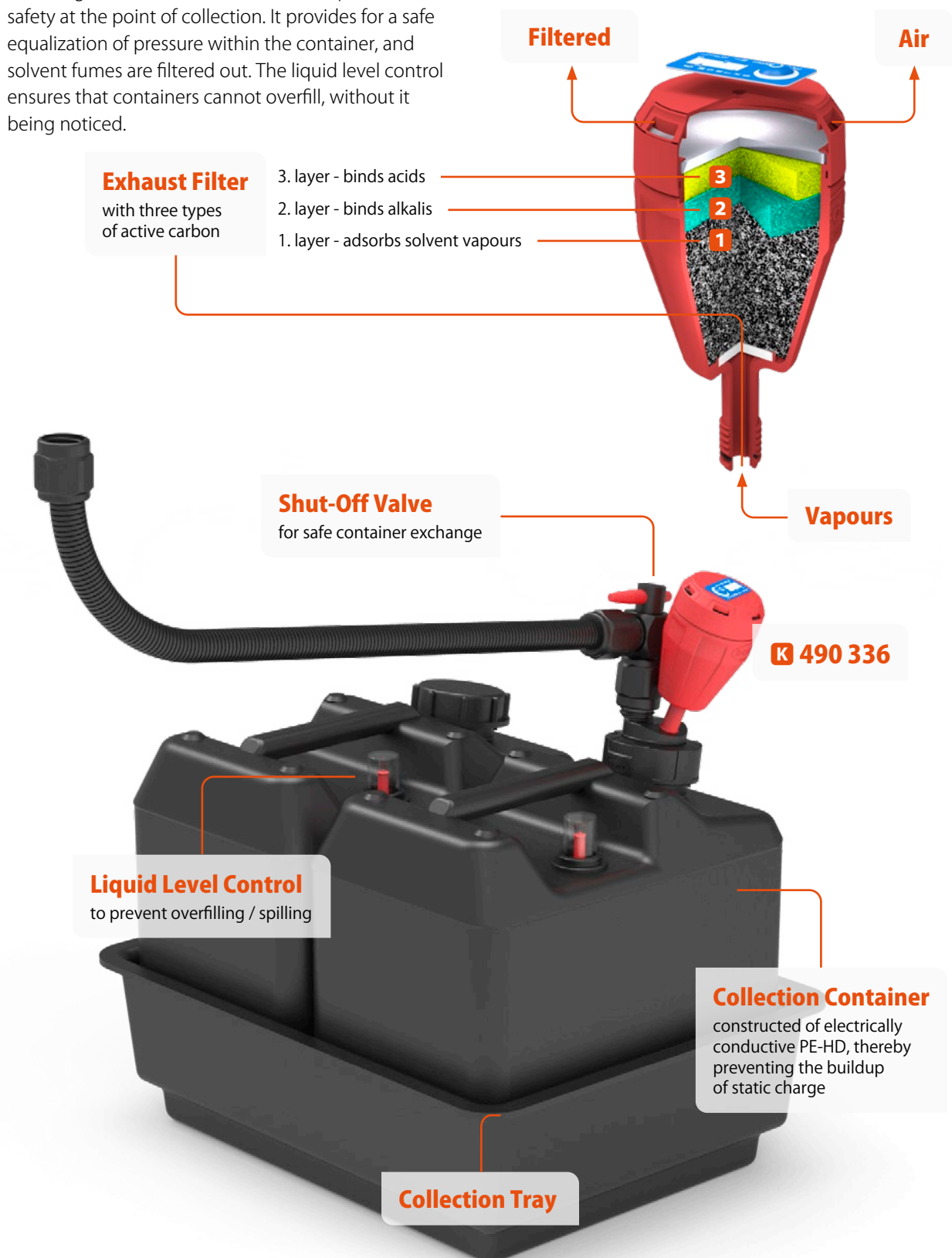
Solvent

Air



## Safety Waste Cap

The integrated exhaust filter allows for optimum safety at the point of collection. It provides for a safe equalization of pressure within the container, and solvent fumes are filtered out. The liquid level control ensures that containers cannot overflow, without it being noticed.



**A**

**106 692  
STARTER SET BASIC**

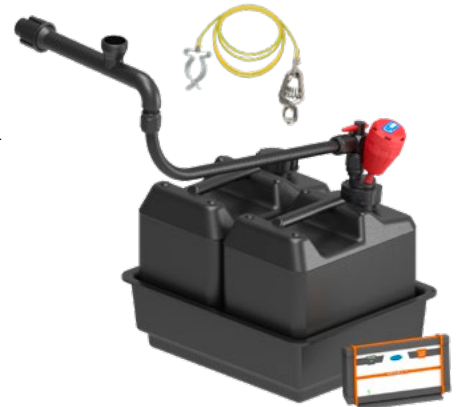
- Ø 32 mm pipe
- 1 Connection for Safety Waste Cap **J**
- Flextube with shut-off valve
- 2x Canisters, 10 litres, with float
- 1x Exhaust filter
- Collection tray
- Material: PE-HD EL
- Blind plug
- Grounding cable



**B**

**106 694  
STARTER SET PREMIUM**

- Ø 32 mm pipe
- 1 Connection for Safety Waste Cap **J**
- Flextube with shut-off valve
- 2x Canisters, 10 litres
- 1x Exhaust filter
- Collection tray
- **Electronic liquid level control with table signal box**
- Material: PE-HD EL
- Blind plug
- Grounding cable



**C**

**106 690  
Extension 1**

- Ø 32 mm pipe
- Length: 600 mm
- Material: PE-HD EL



**D**

**106 689  
Extension 2**

- Ø 32 mm pipe
- Length: 600 mm
- 1 Connection for Safety Waste Cap **J**
- Material: PE-HD EL



**E**

**106 691  
Table Attachment**

- for Ø 32 mm pipes
- for table tops with up to 45 mm height



**F**

**106 695  
Wall Attachment**

- for Ø 32 mm pipes
- 3 Fastening options:**
  - Self-adhesive (Mounting aid)
  - Screw fastening
  - Magnetic



Fig.	Part No.	Description
<b>A</b>	106 692	SymLine FLEX Starter Set BASIC
<b>B</b>	106 694	SymLine FLEX Starter Set PREMIUM with electronic liquid level control and table signal box
<b>C</b>	106 690	SymLine FLEX Extension 1, Length 600 mm
<b>D</b>	106 689	SymLine FLEX Extension 2, Length 600 mm, 1x Connection for Safety Waste Cap <b>J</b>
<b>E</b>	106 691	SymLine FLEX Table Attachment
<b>F</b>	106 695	SymLine FLEX Wall Attachment

**G**

**307 909**  
**SCAT SafetyCap II (V2.0)**

- For HPLC solvent supply
- With air ventilation valve
- 2 connections for  
Ø 3.2 mm OD capillaries
- GL45 thread



**H**

**317 010**  
**SCAT Ventilation Valve (V2.0)**

- For SCAT Safety Caps
- Lifetime: 6 months



**I**

**501 113**  
**Supply Bottle for Solvents**

- 1 litre, clear glass
- GL 45 thread



**J**

**306 498**  
**SCAT Safety Waste Cap (V2.0)**

- For HPLC waste tubes
- 4 connections  
for Ø 2.3 / 3.2 mm OD capillaries
- 1 connection  
for Ø 6.4 - 9 mm ID hose
- Includes blind plugs for unused connections
- Includes fittings and tube connections
- GL45 thread



**K**

**490 336**  
**SCAT Exhaust Filter (V3.0)**

- For the collection unit
- 3 layers of active carbon
- Reserve pack
- Lifetime: 2x 6 months



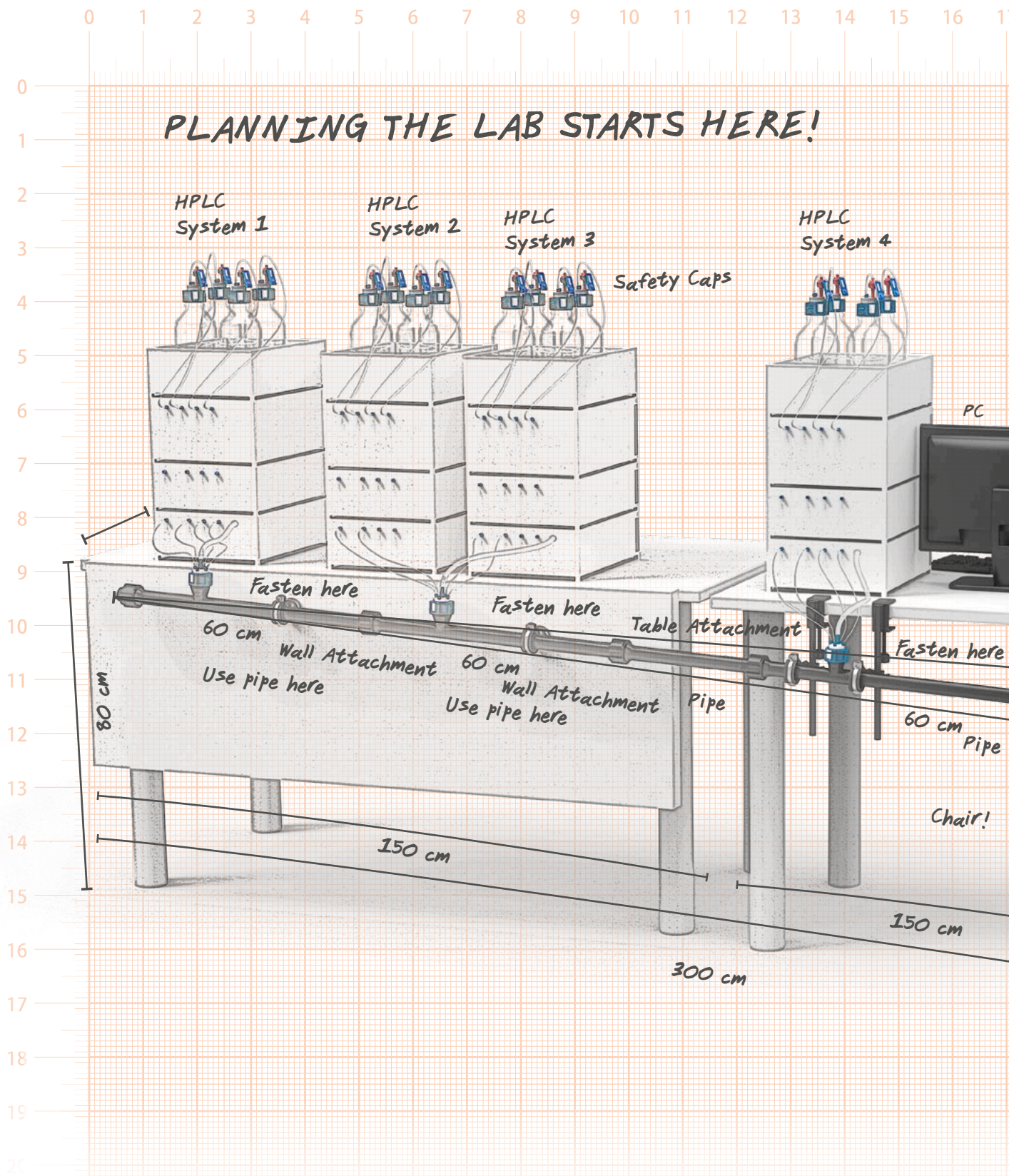
**L**

**399 202**  
**HPLC Starter Kit 3, V2.0**

- For HPLC solvent supply
- 4x SafetyCap III (V2.0)  
with air ventilation valve
- Each with 3 connections for  
Ø 1.6 / 2.3 / 3.2 mm OD capillaries
- Includes blind plugs for unused connections
- GL45 thread

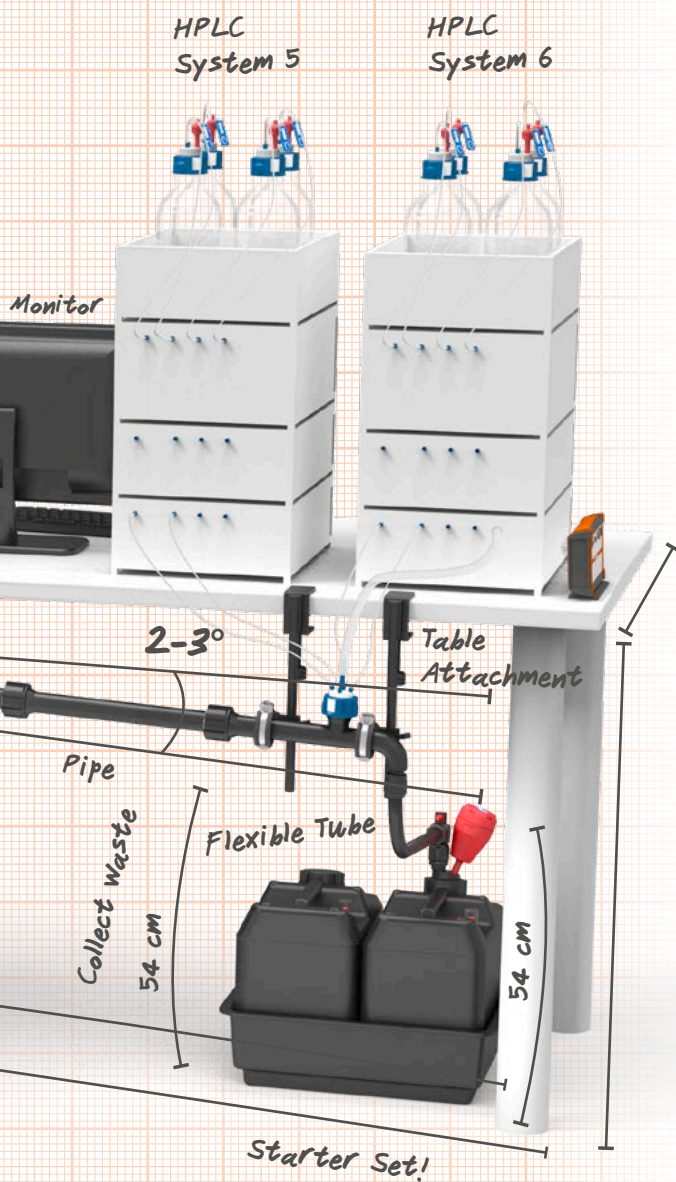


Fig.	Part No.	Description
<b>G</b>	307 909	SCAT Safety Cap V2.0 with air ventilation valve and exchange indicator
<b>H</b>	317 010	SCAT air ventilation valve V2.0 with exchange indicator
<b>I</b>	501 113	Supply Bottle for Solvents, 1 litre, clear glass, round
<b>J</b>	306 498	SCAT Safety Waste Cap
<b>K</b>	490 336	SCAT Exhaust Filter V3.0 reserve pack, with exchange indicator
<b>L</b>	399 202	HPLC Starter Kit 3





7 18 19 20 21 22 23 24 25 26



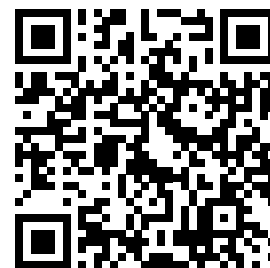
## You are in the planning phase? We are ready to assist you!

Ask your lab furniture manufacturer, lab planner and us about SymLine products. You can find a free download of invitation to tender templates for your lab buildings projects at: [www.SymLine.de](http://www.SymLine.de)



## Configuration Assistance

Put together the components for your project yourself! Our Configurator helps you to do this. Try out here:



[www.scat-europe.com/en/symline/downloads/configurator/](http://www.scat-europe.com/en/symline/downloads/configurator/)