

Genius ABN2ZA

Nitrogen/Dry Air Generator for
Sciex Mass Spectrometers



Your local **gas generation** partner

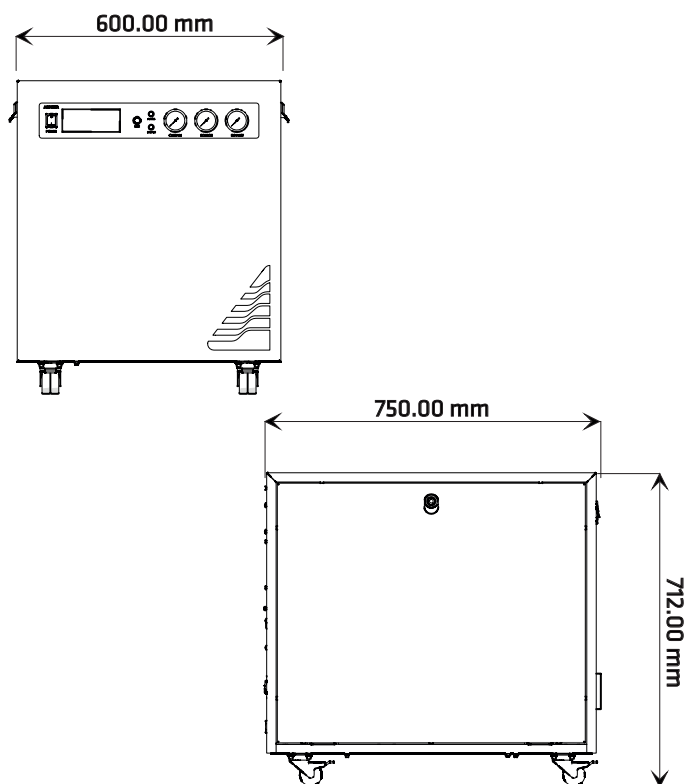
Description

Designed exclusively for Sciex applications, the Genius ABN2ZA is a three gas output system providing nitrogen and dry air to supply curtain, source and exhaust gas. This generator is compatible with a wide range of Sciex LC-MS instruments up to and including the 4600 Triple TOF.

The ABN2ZA is built around the trusted and proven technology of Peak Scientific's Genius series of generators. Designed mainly for LC-MS applications, these are self-contained systems featuring integrated compressors, delivering laboratory-grade nitrogen at various pressures and flow rates required by numerous instruments.

Applications

- Approved gas solution for most single Sciex Mass Spectrometers up to 5500 and 5600 (without SelexION)



Genius Abn2za Dimensions

Key Features

- Delivers nitrogen as curtain gas and dry air as source and exhaust gas
- Developed specifically for Sciex LC-MS instruments
- Compressor based solution, no need for an external air supply
- Service indication to allow planning of preventative maintenance
- Minimal set-up required
- Highly economical source of nitrogen gas with low lifetime running costs
- Gas is supplied on demand so works to your schedule
- High-specification latest generation compressors located in insulated chamber reducing noise and vibration
- 12 month comprehensive on-site warranty

Technical Specifications

Genius ABN2ZA

Curtain Gas (Nitrogen)	12 L/min @ 80 psi
Source Gas (Dry Air)	24 L/min @ 110 psi
Exhaust Gas (Dry Air)	8 L/min @ 60 psi
Min/Max Operating Temperature	5°C - 30°C / 41°F - 86°F
Max Relative Humidity	80% - non condensing
Max Altitude	2000 Meters
Particles	< 0.01µm
Gas Outlets	3x 1/4" BSP Female
Phthalates	None
Suspended Liquids	None
Electrical Requirements	230v 50/60Hz 6.0A
Power Consumption	1380 watts
Generator Dimensions (HxWxD)	713 x 600 x 750mm/28.1 x 23.6 x 29.5 in
Generator Weight	108.5 Kg (239 lbs)

Ordering Information

Part Number	10-6030
Japan Part Number	10-6030J
Annual Service	08-4779
Standard Maintenance Plan	09 - 3110
Complete Maintenance Plan	09 - 3110



It should be noted that the gas pressures and flows are factory set. The pressures shown on the Generator front panel are in excess of the maximum inlet pressure of the Mass Spectrometer. This is to allow for known pressure drops. These settings have been approved by SCIEX.

[PEAK Protected]™

Peak Scientific gas generators define the benchmark in reliability, convenience and performance in laboratories around the world, and come backed by a 12 month warranty. Beyond this period however you can ensure that your investment continues to be **[Protected]** by our comprehensive generator care cover.

Our world-class aftercare support packages deliver a program of scheduled preventative maintenance whilst giving you the reassurance of instant access to worldwide technical support and priority on-site response in the untimely event of a breakdown.

Peak Scientific UK
Tel: +44 (0)141 812 8100
Fax: +44 (0)141 812 8200

Peak Scientific North America
Tel: +1 866 647 1649
Fax: +1 978 608 9503

For a full list of our worldwide office locations, please visit:

Web: www.peakscientific.com
Email: marketing@peakscientific.com

Peak Scientific's Quality Management System conforms to: ISO:9001:2008



FM 515973



Product Certifications

