

Agilent InfinityLab LC Series

• Drain Connectors Installation

Technical Note

Drain Connectors (available only as Drain Connectors Kit 5004-0000) have been developed to improve leak drainage for low flow leaks of high viscosity solvents (for example, isopropanol) in Agilent InfinityLab LC Series Systems. This Technical Note describes how to install Drain Connectors correctly.

Delivery Checklist

Drain Connectors Kit (5004-0000) contains:

#	Description
3	Single Drain Connector
1	Double Drain Connector

Parts can be ordered only as a complete kit.

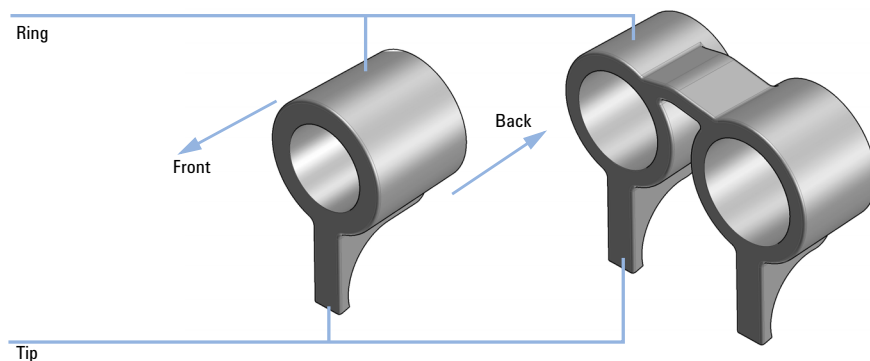


Figure 1 Overview of Drain Connectors: Single (left) and Double (right)



Installation Instructions

Table 1 Compatibility of drain connectors and modules

Drain Connector Type	Compatible Module	Compatible Module Type
Double	G7116A/B	Column Compartment
Single	G7114A/B G7115A G7117A/B/C G7121A/B G7162A/B G7165A	Detector
	G7129A/B/C G7167A/B G5668A G7157A G4767A	Sampler
	G7122A	Degasser
	G7104A/C G7110B G7111A/B G7112B G7120A G5654A G4782A	Pump

Preparations Leak drains of LC modules are clean and free of salt or solvent residuals.

NOTE

Do not install drain connectors on the bottom modules of the stack. Drain outlet of the bottom module has to be connected via waste tubing to a suitable waste container (see Leak and Waste Handling in the manual for a respective module).

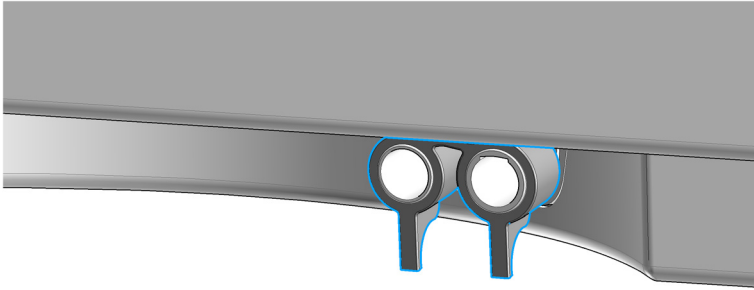
NOTE

In case of incorrect installation, drain connectors cannot fully perform the intended function.

NOTE

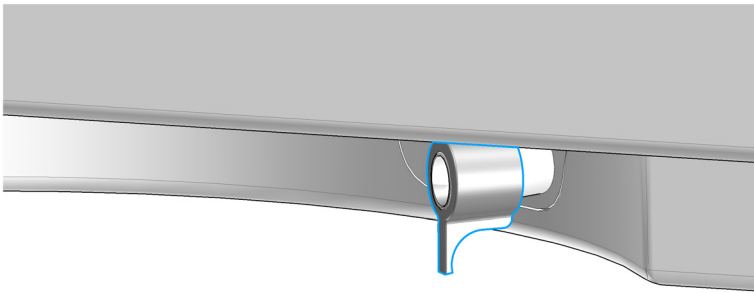
It is not required to power off the HPLC stack to install Single and Double Drain Connectors. The installation of the connectors does not affect the analysis performed during the installation.

- 1 To install the Double Drain Connector on the leak drain of the G7116A/B MCT, align the rings with the leak drain outlets of the MCT, press slightly with the fingers, and slide the connector along the leak drain outlets until it is aligned with the front of the leak drain.



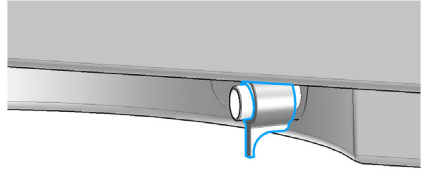
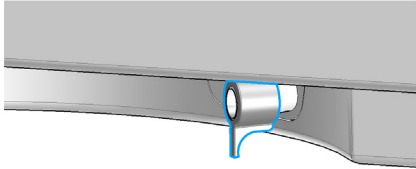
OR

To install Single Drain Connectors on other Infinity II modules in the LC stack, align the ring with the leak drain outlet of the module, press slightly with the fingers, and slide the connector along the leak drain outlet until it is aligned with the front of the leak drain.



Make sure that the following requirements are covered:

- The tip of the drain connector points straight down.
- The leak drain outlets and the drain connectors are aligned properly.



Part Number: 01200-90180
Document Number: D0000965

Edition: 11/2019
Printed in Germany

© Agilent Technologies, Inc 2019

Agilent Technologies, Inc
Hewlett-Packard-Strasse 8
76337 Waldbronn, Germany