

HP 5973 MSD  
HP 6890 Series GC

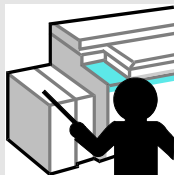
## Quick Reference



---

## Learning About Your System

### MSD System Tutorial



Use the online tutorial to learn the basics of your MSD system.

### Online Help

Use the online help to learn about instrument control, data acquisition, data analysis, methods, sequencing, tuning, and how to use system commands and variables. Troubleshooting the MSD is included to help you diagnose problems.

### HP 5973 MSD Hardware Manual

Use this book to learn how to operate and maintain your HP 5973 MSD hardware.

### HP 6890 Series GC Operating Manual

Use this book to learn how to operate your HP 6890 Series GC.

### HP 6890 Series GC Maintenance and Troubleshooting Manual

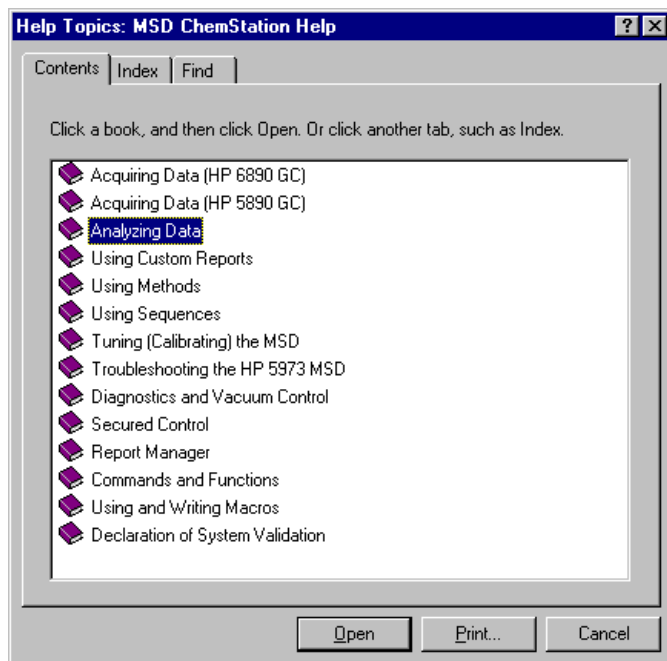
Use this book to learn how to maintain your GC. Troubleshooting is included to help you diagnose problems.

# Using Online Help

To access the online help, select **Contents** from the Help menu in any window, or click the **Help** button on any dialog box.

When you jump to a help topic, it is displayed in another help window. Click the Contents button in that window to return to this list of help topics.

Item	Description
Contents	Displays the list of help topics (shown to the right).
Index	Lets you use keywords to search the help index for a particular topic.
Find	Lets you type a word or phrase and then displays a list of all the topics in the online help that contain those words.
Open	Opens the selected book or help topic. When you open a book or select a book that is already open, this button changes to Close.
Print	Prints the selected book or help topic for future reference. If you select a book, then all the help topics contained in the book are printed. To print a popup, click on it with the right mouse button and select Print from the menu.
Cancel	Closes the Help Topics window.



## Help Icons



Indicates a book containing more help topics. To open a book, select it then double-click or click the **Open** button.

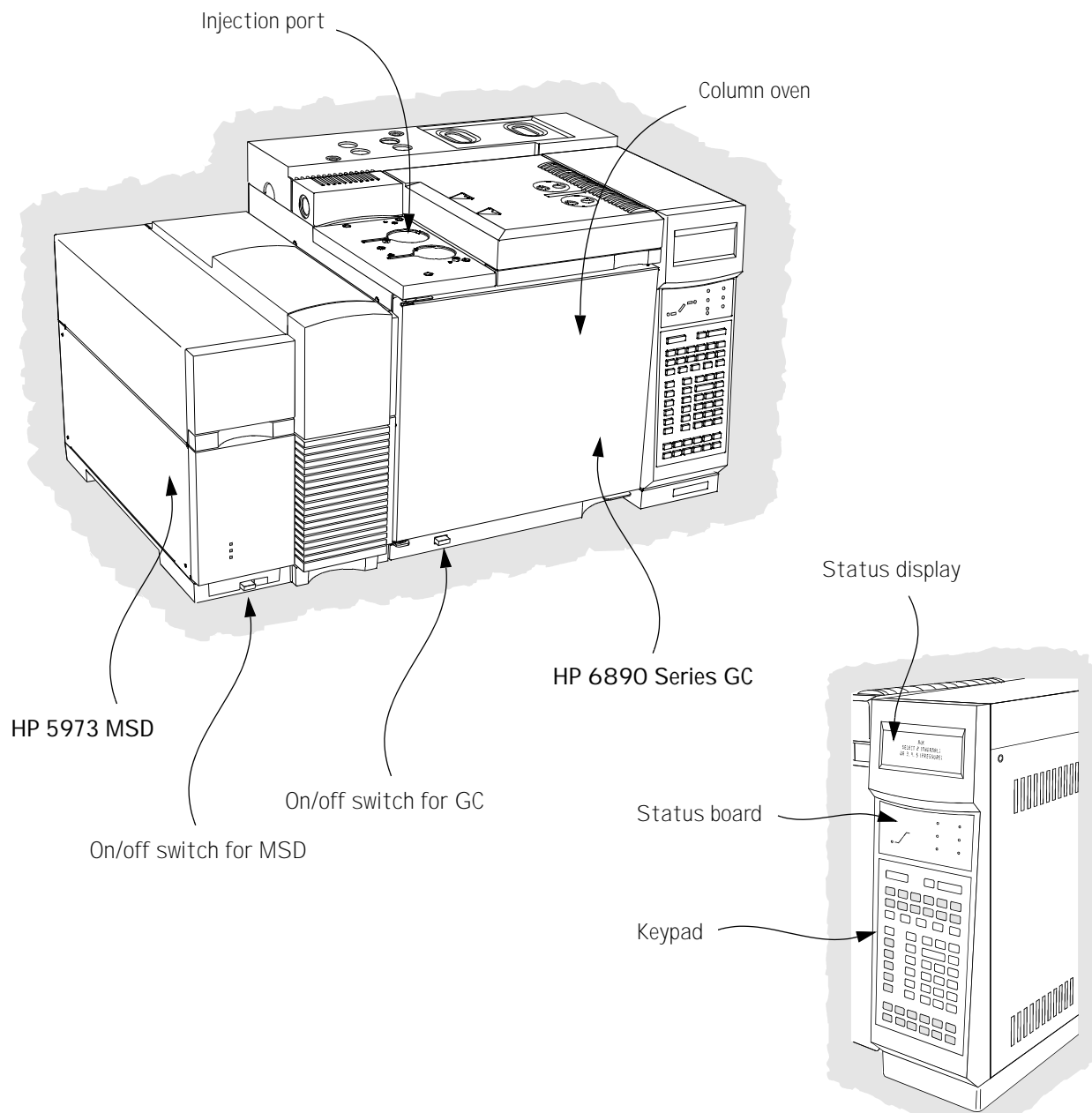


Indicates an open book of help topics. To close an open book, select it then double-click or click the **Close** button.

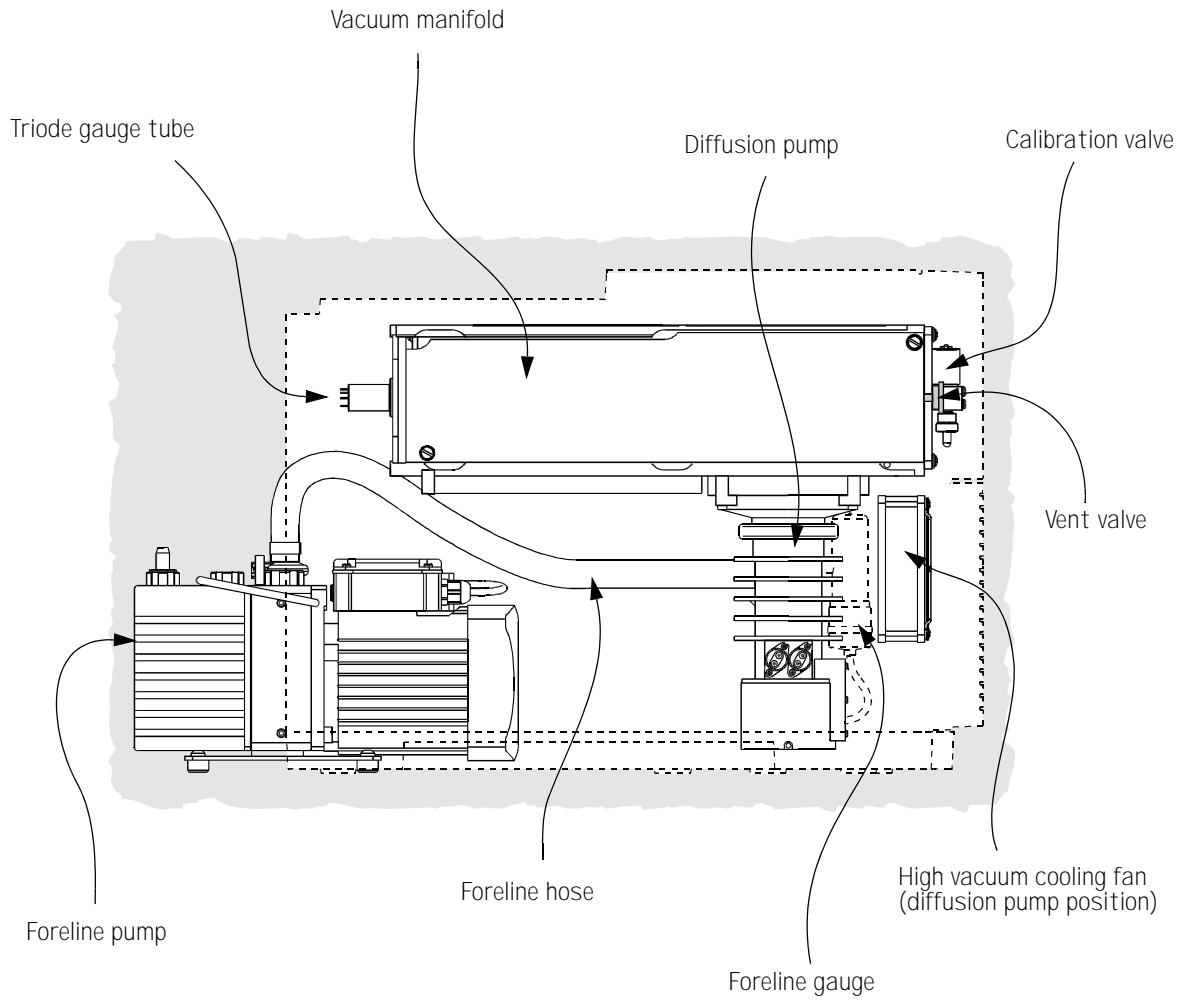


Indicates a help topic. To jump to a help topic, select it then double-click or click the **Open** button.

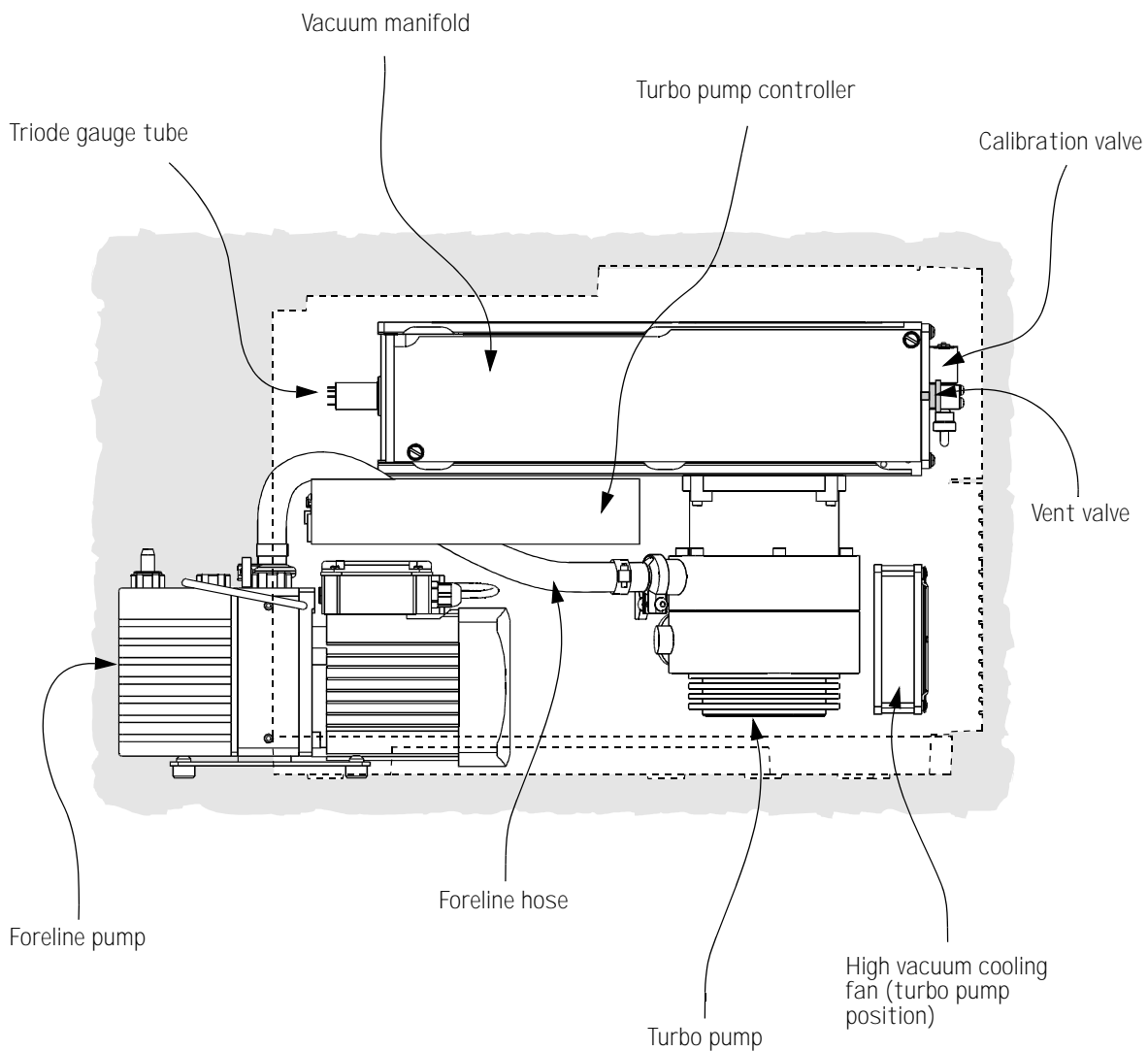
# HP 5973 MSD with an HP 6890 Series GC



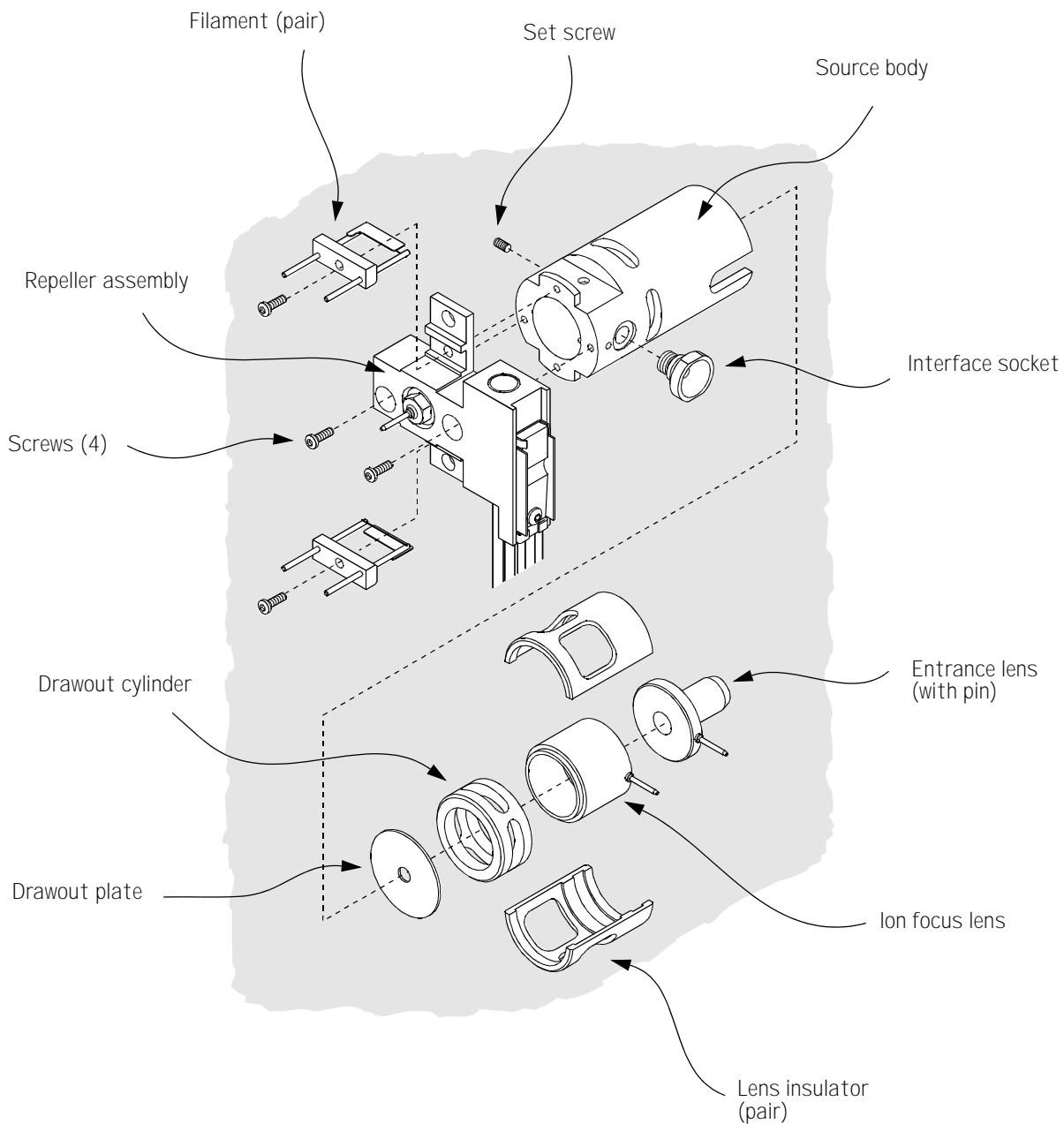
# MSD Vacuum System - Diffusion Pump



# MSD Vacuum System - Turbomolecular (Turbo) Pump



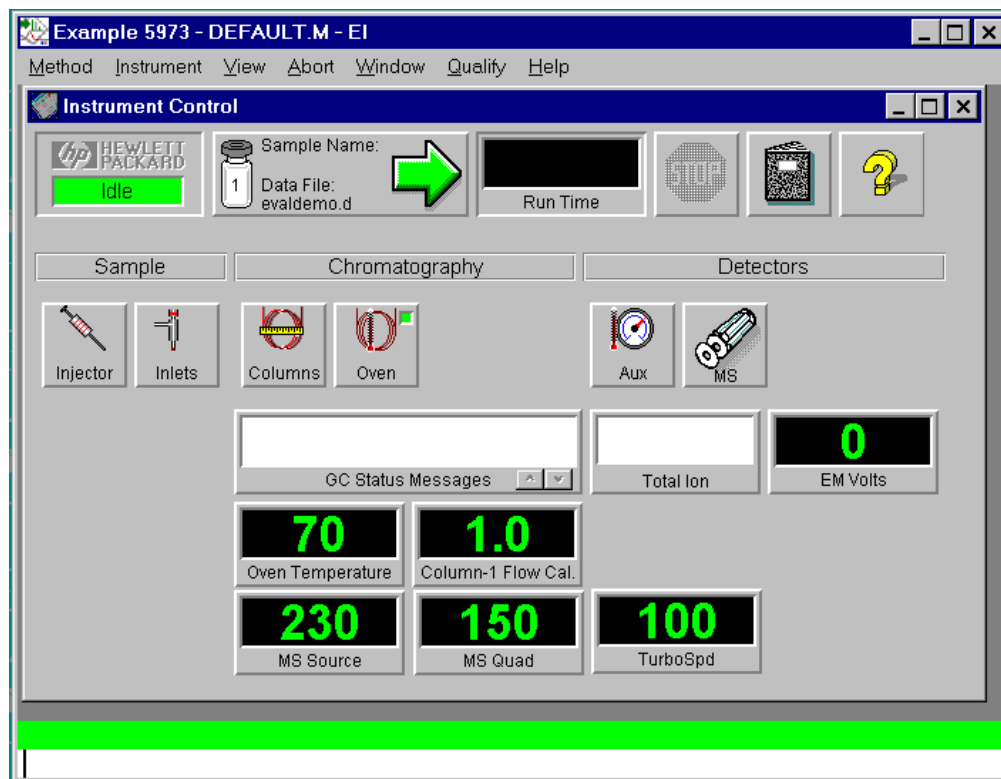
# MSD Ion Source



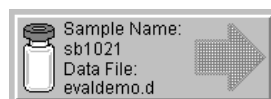
## Instrument Control View

The Instrument Control view is displayed when you start up the MSD ChemStation. This is where you set and monitor instrument parameters. If you are in a different view, select **View / Instrument Control** when you are ready to set up the system for data acquisition.

See the online help for more details on the menus, buttons, or windows used in the software.



**Acquisition Status** Lets you tell at a glance the status of the current instrument or run (if any).



**Start Button** Lets you start a run. When a run is not in progress, the arrow is green. To start a run, click the green arrow, fill in the Sample Information, and click Start Run. When a run is in progress, the arrow is gray.

This button also shows the current data file name, sample information (if any), and the vial number (1 if no ALS).





**Run Time Clock** Shows the elapsed time since the beginning of the run if a run is in progress. The scheduled run time is shown below the digital clock. When a run is not in progress, the Run Time clock shows the elapsed time since the last run.



**Stop Button** Lets you stop the system when it is in Pre-Run, Run, or Post-Run mode. The stop sign is red when a run is in progress and gray when a run is not in progress.



**Logbook Button** Displays a menu where you can choose to view, open, clear, save, or print a particular logbook.



**Help Button** Displays a menu where you can select an online help topic for the Instrument Control view. Choose Contents to go to the online help for the entire system.



**Injector Button** Lets you set parameters for the injector when you have configured your system with an ALS.



**Inlets Button** Lets you set parameters for the GC inlet (injection port) that is configured on your system.



**Columns Button** Lets you configure columns and set up ramped flow and pressure programs.



**Oven Button** Displays a menu that lets you edit GC oven parameters or GC monitor parameters. When the GC is ready, the small square in the upper right corner is green. When the GC is not ready, the square is red.



**Aux Button** Lets you set the temperature of the GC/MSD interface (usually Thermal Aux 2).

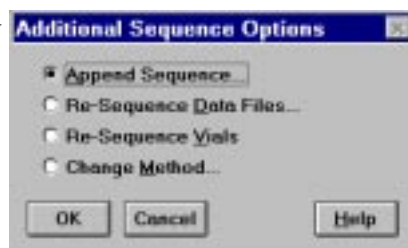
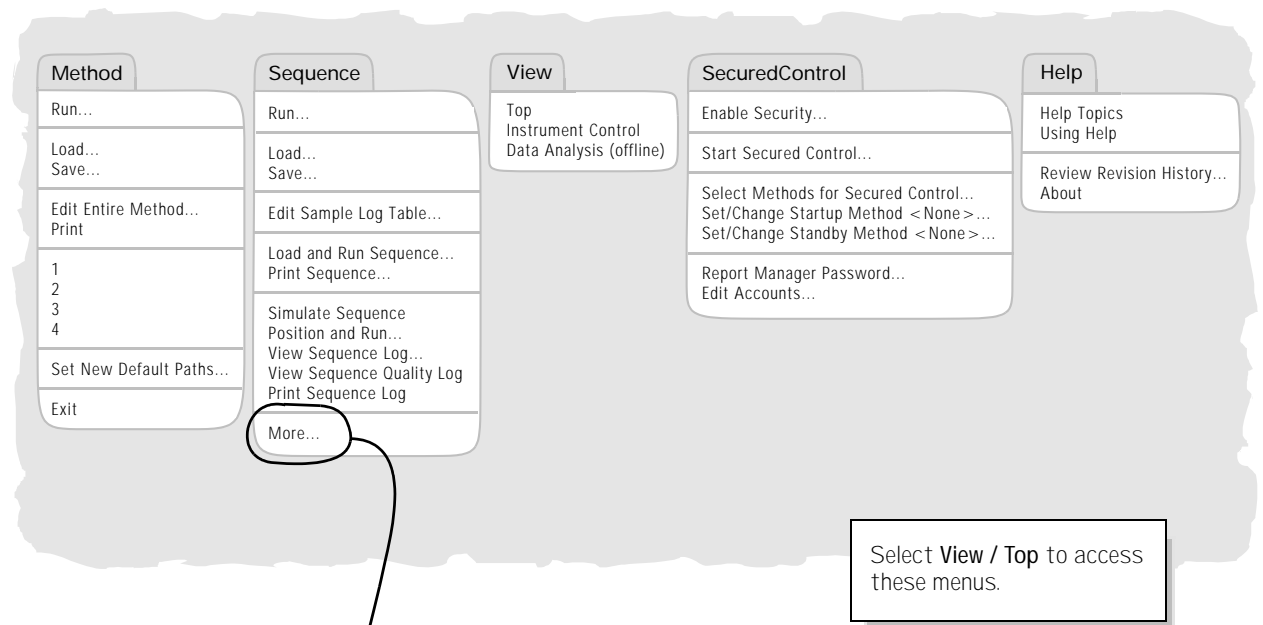


**MS Button** Displays a menu that lets you edit MS acquisition parameters, select another tune file, or edit MS monitors.



**Monitor** Each monitor displays one instrument parameter. See the online help for a description of the instrument monitors.

# MS Top Menus

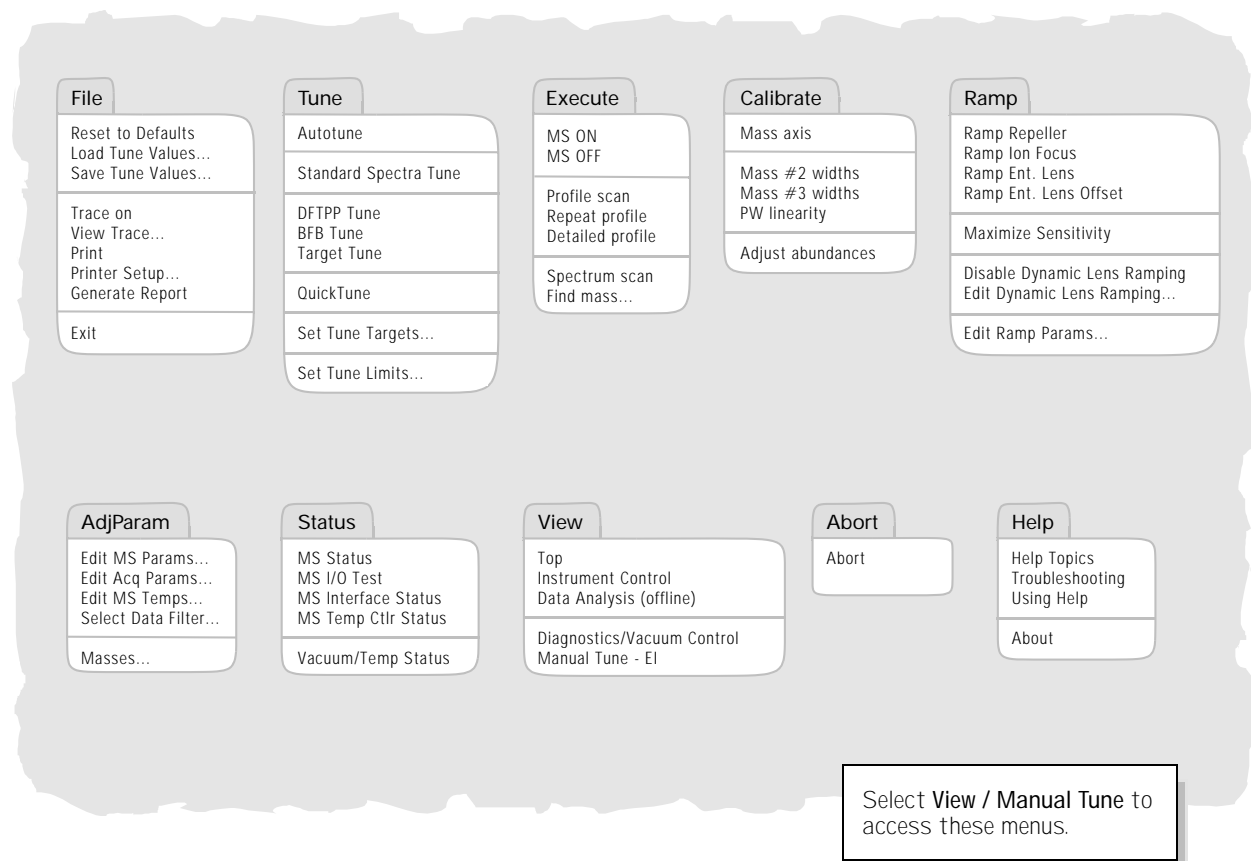


# Instrument Control Menus

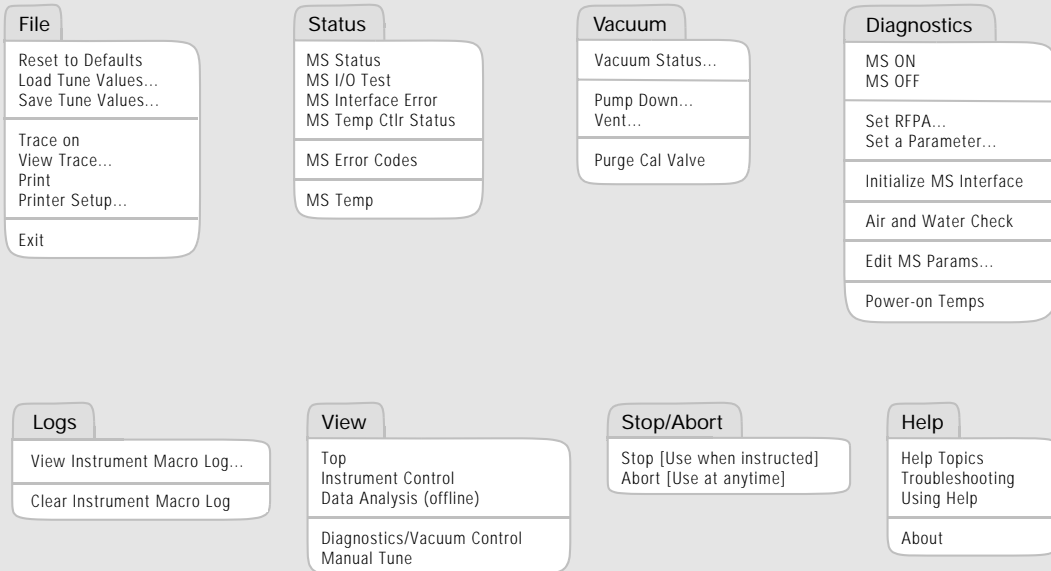
The image displays seven distinct menu panels arranged on a light gray background. Each panel has a title bar and a list of options. The panels are: **Method**: Run..., Load..., Save..., Edit Entire Method..., Print, 1, 2, 3, 4, Exit. **Instrument**: Inlet/Injection Types, GC Edit Parameters..., GC Plot..., GC Monitors..., Select MS Tune File..., MS SIM/Scan..., MS Monitors..., Edit MS Tune Parameters..., Perform MS Autotune... **View**: Top, Instrument Control, Data Analysis (offline), Diagnostics/Vacuum Control..., Manual Tune... **Abort**: Abort. **Window**: Cascade, Tile Horizontal, Tile Vertical, Arrange Icons, Arrange Plots and Monitors, 1, 2, 3, 4. **Qualify**: Checkout Tune, Tune Evaluation, View Tunes..., Sensitivity Check, Installation Checklist, Familiarization Checklist. **Help**: Help Topics, Using Help, Review Revision History..., About.

Select **View / Instrument Control** to access these menus.

# Manual Tune Menus



## Diagnostics / Vacuum Control Menus



Select **View / Diagnostics/Vacuum Control** to access these menus.

# Data Analysis Menus

## File

Load Data File...  
Next Data File  
List Header...  
Edit File Info...  
Take Snapshot  
Subtract Background (BSB)

Select Signals...

Printer Setup...  
Print  
Abort

Export Data to CSV File...  
Export Data to AIA format...  
Import AIA Raw Data Files...

1  
2  
3

Exit

## Method

Run Method...

Load Method...  
Save Method...

Edit Method...

1  
2  
3

## Chromatogram

Chromatogram Scaling...  
Draw Chromatogram - No Labels  
Draw Chromatogram With Labels  
Select Chromatogram Labels...

Extract Ion Chromatograms  
Display Ion Chromatograms in Merged Format

Select Integrator  
MS Signal Integration Parameters...  
GC Signal Integration Parameters...  
AutoIntegrate  
Integrate  
Integration Results...  
Percent Report

## Spectrum

Add  
Subtract  
Tabulate

Select Library...  
Edit Strategy...  
Edit Library...

Library Search Report

NIST Output

Change Spectral Display...

## Calibrate

Set Up Quantitation...  
Edit Compounds...  
Update...  
List...  
Clear...

## Quantitate

Calculate  
Generate Report  
Report Options...  
Report Non Target Peaks...  
Use Method Aligned GC trace  
Trace Mode Quant...

Custom Reports...  
Print Report  
Update Database

Select Template/Database

## Tools

DOLIST...  
DOSCAN...  
Process Scan List

Locate A Compound...  
Locate All Compounds...

Set Overlay Parameters...  
Overlay Chromatograms...

Change Data State...  
Options...

Copy Window...  
Reset Windows...

## View

EasyID  
QEdit Quant Result  
Edit Non Target Peaks  
Parametric Retrieval  
Align GC  
Review Peak Purity

## Help

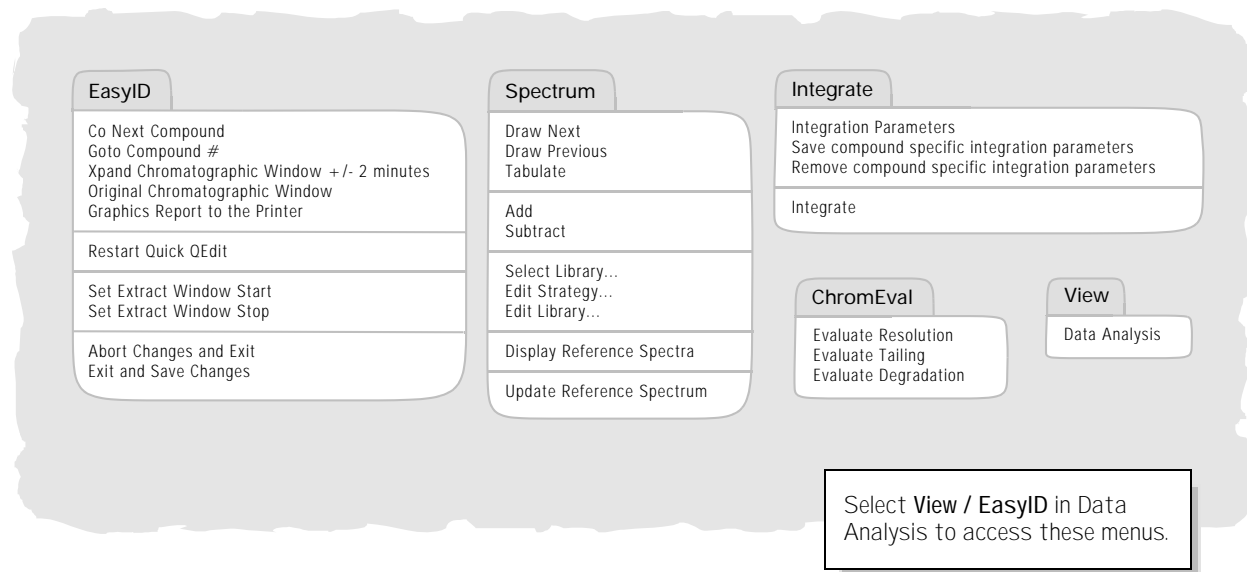
Help Topics  
Using Help  
Review Revision History...

About

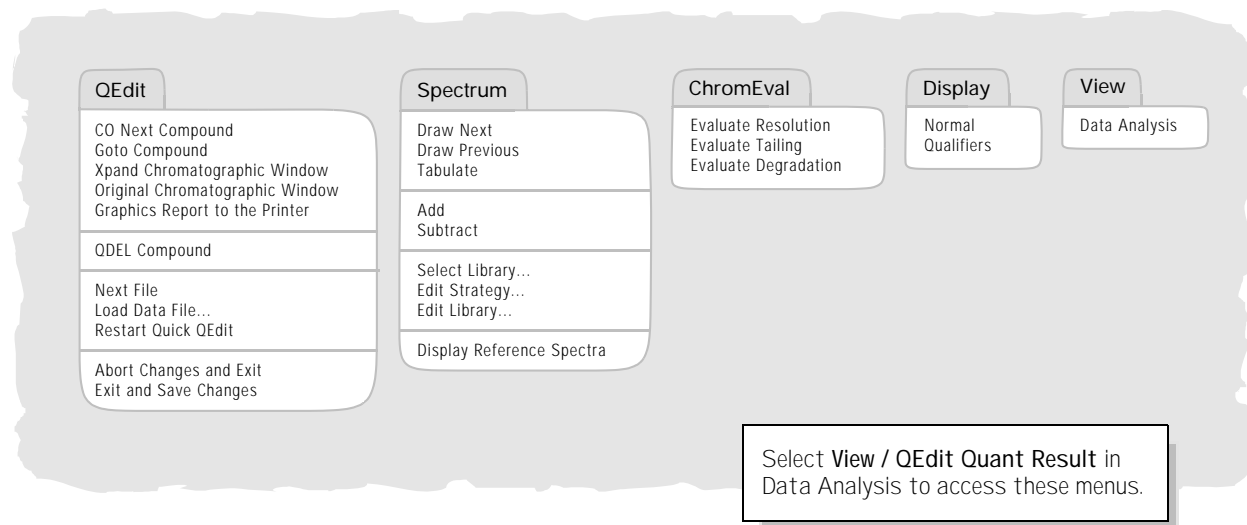
Select **View / Data Analysis (offline)** to access these menus.

The View menu in Data Analysis lets you access other Data Analysis modes (shown on the following pages).

## EasyID Menus



## QEdit Menus



## Parametric Retrieval Menus

### File

Load...  
List Header  
Take Snapshot  
Subtract Background (BSB)

Print Current View

Save Parameters  
Abort  
Exit

### Spectrum

Draw Next  
Draw Previous

Tabulate

Add  
Normalized Subtract

### Library

Select Library...  
Edit Strategy...  
Edit Library...

Library Search Report...

Read JCAMP File...  
Write JCAMP File...

Subset Library...  
Add Current Entry

### Retrieve

Set Parameters...  
Select Library...

Continue Results

### Structures

Select Structure Database...  
Set Structure Parameters...

### Options

Select Normalization Ion  
Command Line  
Stack  
Manual Integration

Copy Window...  
Reset Windows

### View

Standard Menu

Library Entry Only  
TIC and Library Entry  
Unknown and Library Entry  
Unknown, Library Entry, and Difference

### Help

Help Topics

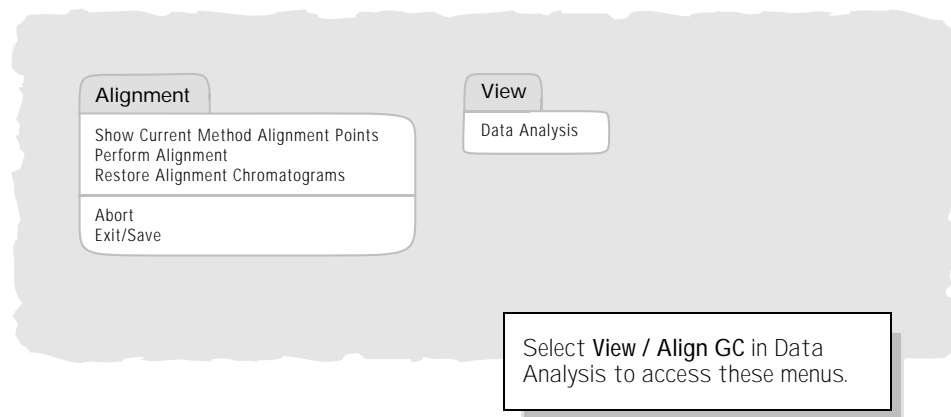
About

Select **View / Parametric Retrieval** in Data Analysis to access these menus.

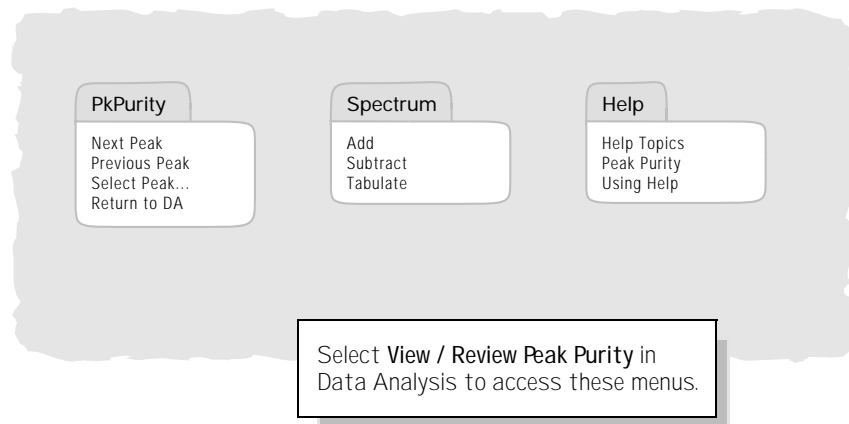


---

## Align GC Menus



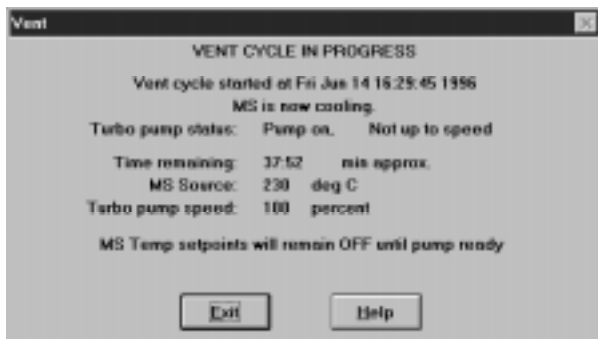
## Review Peak Purity



## To vent (shut down) the MSD

- 1 If your system is equipped with a gauge controller, switch off the gauge tube and gauge controller.
- 2 Select **Diagnostics/Vacuum Control** from the **View** menu.
- 3 Select **Vent** from the **Vacuum** menu. Follow the instructions presented.

The vent program turns off the GC/MSD Interface heater and sets the GC oven to 30°C. The program turns off the analyzer heaters and diffusion pump heater or turbo pump. The software will prompt you when it is safe to switch off the power.



### WARNING

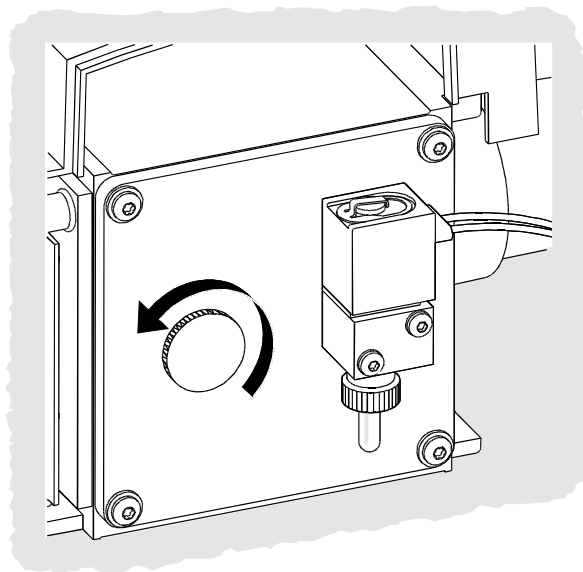
If you are using hydrogen as a carrier gas, the carrier gas flow must be off before turning off the MSD power. If the foreline pump is off, hydrogen will accumulate in the MSD and an explosion may occur. Read the Hydrogen Carrier Gas Safety Guide (5955-5398) before operating the MSD with hydrogen carrier gas.

### CAUTION

Be sure the GC oven and the GC/MSD interface are cool before turning off carrier gas flow.

- 4 When prompted, turn off the MSD power switch.
- 5 Remove the upper MSD cover.
- 6 Turn the vent knob counterclockwise to admit air into the vacuum manifold.

Do not remove the knob. Be sure to retighten the knob before pumping down.



If the data system is not working correctly, the MSD can still be vented safely. Refer to the procedure **To vent the MSD without the data system** in the MSD Hardware Manual.

## To pump down (start up) the MSD

- 1 Make sure your system meets all of the following conditions before you pump down the MSD:
  - The vent valve is closed (the knob is turned all the way clockwise.)
  - All other vacuum seals and fittings are in place and fastened correctly. (The front side plate thumb screw must be secure, but not overtight.)
  - The MSD is connected to a grounded power source.
  - The GC/MSD interface extends into the GC oven.
  - A conditioned capillary column is installed in the GC inlet and in the GC/MSD interface.
  - The GC is on, but the heated zones for the GC/MSD interface, the injection port, and the oven are off.
  - Carrier gas of at least 99.999% purity is plumbed to the GC with the recommended traps.
  - If hydrogen is used as carrier gas, carrier gas flow must be off.
  - The foreline pump exhaust is properly vented.

### WARNING

Make sure your MSD meets ALL the conditions listed above. Failure to do so can result in personal injury and damage to the instrument.

- 2 Select **Diagnostics/Vacuum Control** from the **View** menu.
- 3 Select **Pump Down** from the **Vacuum** menu.

- 4 When prompted, switch on the MSD and click **OK**.

The rough pump will make a gurgling noise. This noise should stop within a minute. If the noise continues, there is a large air leak in your system, probably at the interface column nut, the vent valve, or the side plate seal. If necessary, press lightly on the side plate to ensure proper seal.

Within 10 to 15 minutes the diffusion pump should be hot, or the turbo pump speed up to 80%. If the MSD does not pump down correctly, see the online help for information on troubleshooting air leaks and other vacuum problems.

- 5 The software will prompt you to turn on the GC/MSD interface heater and GC oven. Click **OK** when you have done so.

The software will turn on the ion source and quadrupole heaters. The temperature setpoints are stored in the current autotune (\*.u) file.

### CAUTION

Do not turn on any heated zones until carrier gas flow is on. Heating a column with no carrier gas flow will damage the column.

- 6 After the message **Okay to run** appears, wait at least two hours for the MSD to reach thermal equilibrium.

### CAUTION

Data acquired before the MSD has reached thermal equilibrium might not be reproducible and should not be used for quantitation.

---

## To tune your MSD

You should tune the MSD periodically to maintain its optimum performance. Tuning is the process of adjusting MSD parameters so the instrument meets certain performance criteria. How often you should tune is determined by the number and type of samples you are running, as well as the overall condition of your system.

Keep the Tune reports in a notebook so that successive reports can be easily compared.

### To use Autotune

- 1 Select **Perform MS Autotune** from the **Instrument** menu of the Instrument Control view.
- 2 Select one of the following options, depending on the instrument performance required by your application, then click OK.
  - Autotune**  
Results in maximum sensitivity over the full scan range.
  - Standard Spectra Tune**  
Results in a standard response over the full scan range.
  - QuickTune**  
Adjusts the mass axis, peak widths, and EM voltage for optimum response and resolution and for accurate mass assignment. Use QuickTune for daily tuning as long as the relative abundance of the tuning masses are acceptable.
- 3 Review the Tune report.

### To use Manual Tune

Manual tuning lets you interactively set the MSD parameters, such as lens voltages and tuning masses, to values that meet the needs of your particular analysis. You can often obtain greater sensitivity than you can with autotune.

Manual tuning allows you to ramp individual parameters and to specify the range and step size for the ramp. The results of the ramp are displayed visually with the optimum value for the parameter clearly marked on the plot.

You can acquire two types of data in manual tune: profile scans (plots the abundance and peak shape of the tune masses) and spectrum scans (scans plot response across the entire mass range).

See the online help for more details about manual tuning.

#### Troubleshooting Tip

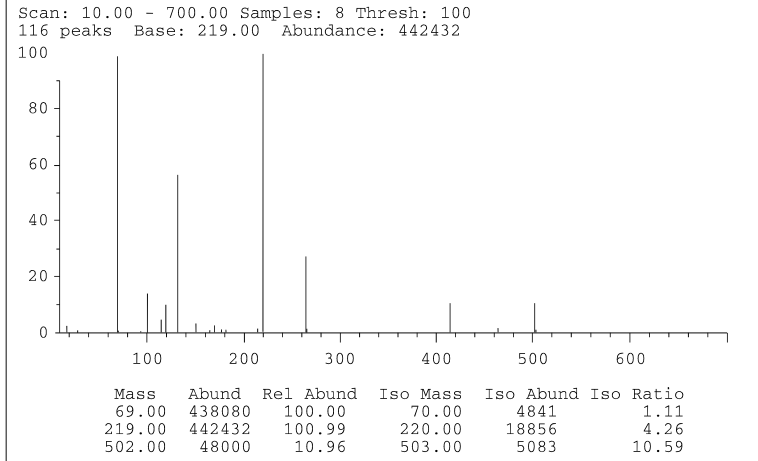
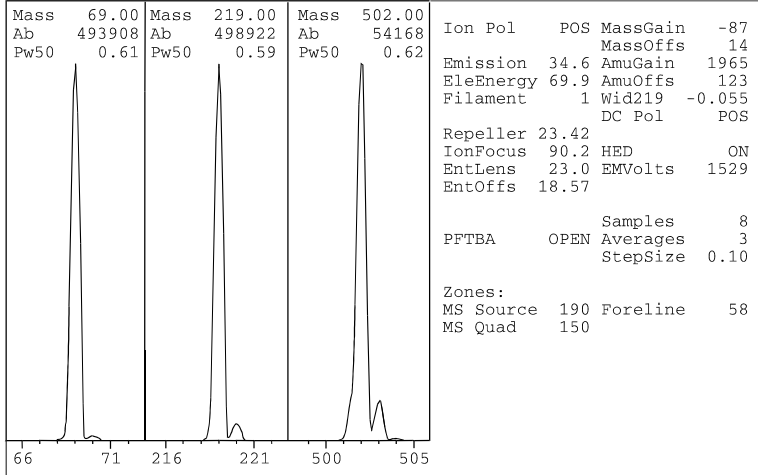
Keep all autotune reports. The easiest first step for troubleshooting tuning problems is to manually enter the parameters from the last "good" autotune and save them to a new name such as goodtune.u. This lets you start with conditions that work. With these parameters, generate a new tune report and see what has changed: abundance, ion ratios, peakwidth, etc.

# Autotune Report

HP5973 Autotune

Instrument: GC/MS Instrument #1  
 Fri Jun 28 14:37:08 1996

C:\HPCHEM\1\5973\ATUNE.U



## To acquire data

### To set up the GC for use with the MSD

- 1 Select **Instrument / Inlet/Injection Types**. Select the appropriate injection source and select the Use MS checkbox. Click **OK**.
- 2 Click the **Aux** button. Verify that you are using auxiliary channel 2, the heater is on and set to the desired temperature, and that **MSD** is selected as the Type. Click **OK**.
- 3 Click the **Columns** button. Verify that the detector is **MSD** and that **Vacuum** is selected for Outlet psi. Click **OK**.

### To inject a sample with the autosampler

- 1 Place the autosampler vial containing the sample into the autosampler tray.
- 2 Select **Run** from the **Method** menu in the Top or Instrument Control view.
- 3 When the Start Run box appears, specify the sample information:
  - Specify a unique data file name for the sample.
  - Enter the position number of the sample vial in the **Vial** field (1 – 100).
  - (optional) Fill in the **Operator Name**, **Sample Name**, and **Misc Info** fields to document the injection.
  - Make sure that the **Data Acquisition** option is selected. Select the Data Analysis option if you want to generate any of the reports specified in the method.
- 4 Click **Run Method** to initiate the run.

#### CAUTION

Do **not** use the Start button on the GC to start a run when using the autosampler.

### To inject a sample manually

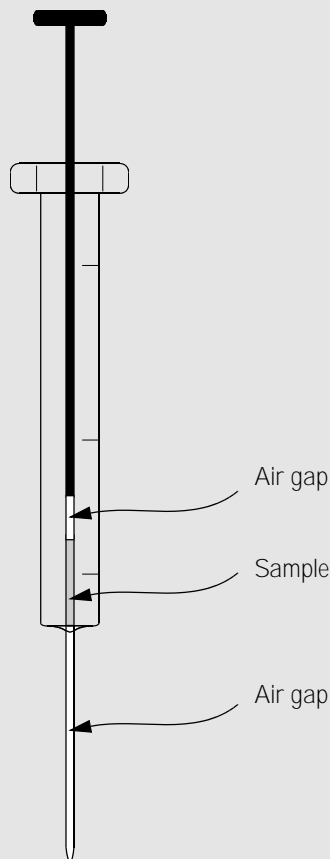
- 1 Select **Manual** as the injection source on the Inlet and Injection Parameters box.
- 2 Press the **Prep Run** key on the GC keypad. This cancels the gas saver flow, brings the inlet flow to its setpoint value, and closes the purge valve (for splitless injection only).
- 3 Select **Run** from the **Method** menu from the Top or Instrument Control view.
- 4 When the Start Run box appears, specify the sample information as described below:
  - Specify a unique data file name for the sample.
  - (optional) Fill in the **Operator Name**, **Sample Name**, and **Misc Info** fields to document the injection.
  - Make sure that the **Data Acquisition** option is selected.
  - (optional) Select the **Data Analysis** option if you want to generate any Data Analysis reports specified in the method.
- 5 Click **Run Method** to initiate the run. If the temperatures are stable, the Prepare To Inject box appears. Otherwise, the message **Waiting for GC ready** is displayed.
- 6 When the GC temperatures have stabilized (the **Pre Run** light on the GC is steady), inject the sample and press **Start** on the GC.

#### CAUTION

Do not inject before the GC is ready. This will cause inconsistent results.

## A manual injection technique

- 1 Flush out a clean 10 microliter syringe in the same solvent used for your sample. This is done by pulling the solvent into the syringe, then releasing it into a waste container. Repeat this several times.
- 2 Draw air slowly into the syringe so the tip of the plunger is at the 1.0 microliter mark.
- 3 With the needle in the sample solution, draw up the desired volume (1 – 2 microliters splitless, 1 – 5 microliters split), then remove the syringe.
- 4 Pull 2 more microliters of air into the syringe. The sample is now between two air gaps (see figure).
- 5 Remove any excess sample from the needle by wiping the outside of the needle with a clean, lint-free tissue.
- 6 Hold the plunger in place while you align the syringe over the injection port. Inject the sample by inserting the syringe needle into the injector until the barrel of the syringe rests on the injector. Press the plunger all the way into the syringe.
- 7 Press **Start** on the GC keypad.
- 8 Wait several seconds to allow all traces of sample to enter the system, then remove the syringe from the injector.



---

## To analyze MS data

### To load a data file

- 1 In Data Analysis, select **Load** from the **File** menu.
- 2 Select a data file (double-click on a file name or type a name and click **OK**). The chromatogram for the data file is loaded and displayed in window [2].

A data file must be loaded to perform any of the following tasks.

### To integrate a chromatogram

- 1 If the integrator you wish to use is not currently selected, open the **Chromatogram** menu and click **Select Integrator**. Choose an integrator and click **OK**.
- 2 Select **Integrate** from the **Chromatogram** menu.
- 3 (optional) Select **List Results** from the **Chromatogram** menu. A report of tabulated results is displayed on the screen. When you are finished viewing the results, click **Done**.

### To select a spectrum

- Double-click the **right** mouse button on the time point of interest in the chromatogram. The spectrum appears in window [1].

### To zoom in

- 1 Position the pointer at one corner of the area you wish to expand in a chromatogram or spectrum.
- 2 Press and hold the **left** mouse button while dragging the mouse to select the area you wish to expand.
- 3 Release the mouse button. The selected area expands to fill the existing window.

### To zoom out

- 1 Position the pointer anywhere in the zoomed window.
- 2 Double-click the **left** mouse button.

### To average spectra

- 1 Position the pointer in the chromatogram at the starting time for the range you want to average.
- 2 Press the **right** mouse button while dragging the mouse to the end of the range you want to average.
- 3 Release the mouse button. The spectra in the selected range are averaged and the averaged spectrum is displayed in window [1].

### To add two spectra

- 1 Select a spectrum (double-click the **right** mouse button in the chromatogram).
- 2 Select a second spectrum (double-click the **right** mouse button in the chromatogram).
- 3 Select **Add** from the **Spectrum** menu. The two spectra are added together and the resulting spectrum is displayed in window [1].

### To subtract two spectra

- 1 Select a spectrum (double-click the **right** mouse button in the chromatogram).
- 2 Select the spectrum to be subtracted (double-click the **right** mouse button in the chromatogram).
- 3 Select **Subtract** from the **Spectrum** menu.  
The spectrum selected in Step 2 is subtracted from the spectrum selected in Step 1 and the resulting spectrum is displayed in window [1].

### To subtract background spectra

- 1 Select a spectrum or average a range of spectra to subtract from the data file.
- 2 Select **Subtract Background (BSB)** from the **File** menu. The system performs the following tasks:
  - The selected spectrum is subtracted from every scan in the current data file.
  - The subtracted data is stored in a BSB subdirectory in the same directory as the data file.
  - The subtracted data file becomes the current data file and is displayed in window [2].



---

## To use spectral libraries

### To integrate and search peaks

Use the following procedure to integrate a total ion chromatogram and automatically generate a library search report for each peak detected.

- 1 In Data Analysis, load a data file. The TIC is displayed.
- 2 Select **Spectrum / Library Search Report**.
- 3 When the Library Search Report Options dialog box appears, select the options you want for the library search report:
  - Select either **Summary** or **Detailed** to determine the report format.
  - Select one or more destinations (**Screen**, **Printer**, and **File**).
  - Select an **Integration Parameter File** (leave the field blank to autointegrate using the ChemStation integrator).
  - Select which spectrum from each peak to use (**Apex**, **Apex - Start of Peak**, **Apex - Background at time**, or **Peak Average**).
- 4 Click **OK** to initiate the search.

The chromatogram is integrated and a spectrum from each peak is searched. The results of the integration appear on the screen. The library search report is sent to the destinations selected in Step 4.
- 5 Select **Chromatogram / Integration Results** to view the tabulated integration results.

### To search a single spectrum

- 1 In Data Analysis, load a data file. The TIC is displayed.
- 2 Select a spectrum. The selected spectrum appears in a window below the chromatogram.
- 3 Initiate the library search by double-clicking the right mouse button in the window containing the spectrum.

When the search is complete, the search results appear on the screen. The spectrum for the unknown, the reference spectrum you select from the list of hits, and, if available, the chemical structure of the reference compound is displayed.
- 4 To view other spectral data:
  - Click on another compound in the hit list to display a different reference spectrum.
  - Select the **Difference** checkbox to display the difference between the unknown and the reference spectra.
- 5 To view other information:
  - Click the **Statistics** button to display information about the quality of each hit found in the list.
  - Click the **Text** button to view the header information stored in the library for the current reference spectrum.
- 6 Click the **Print** button to print a copy of the displayed spectra.
- 7 Click the **Done** button to clear the library search results from the screen.

## Operating Tips

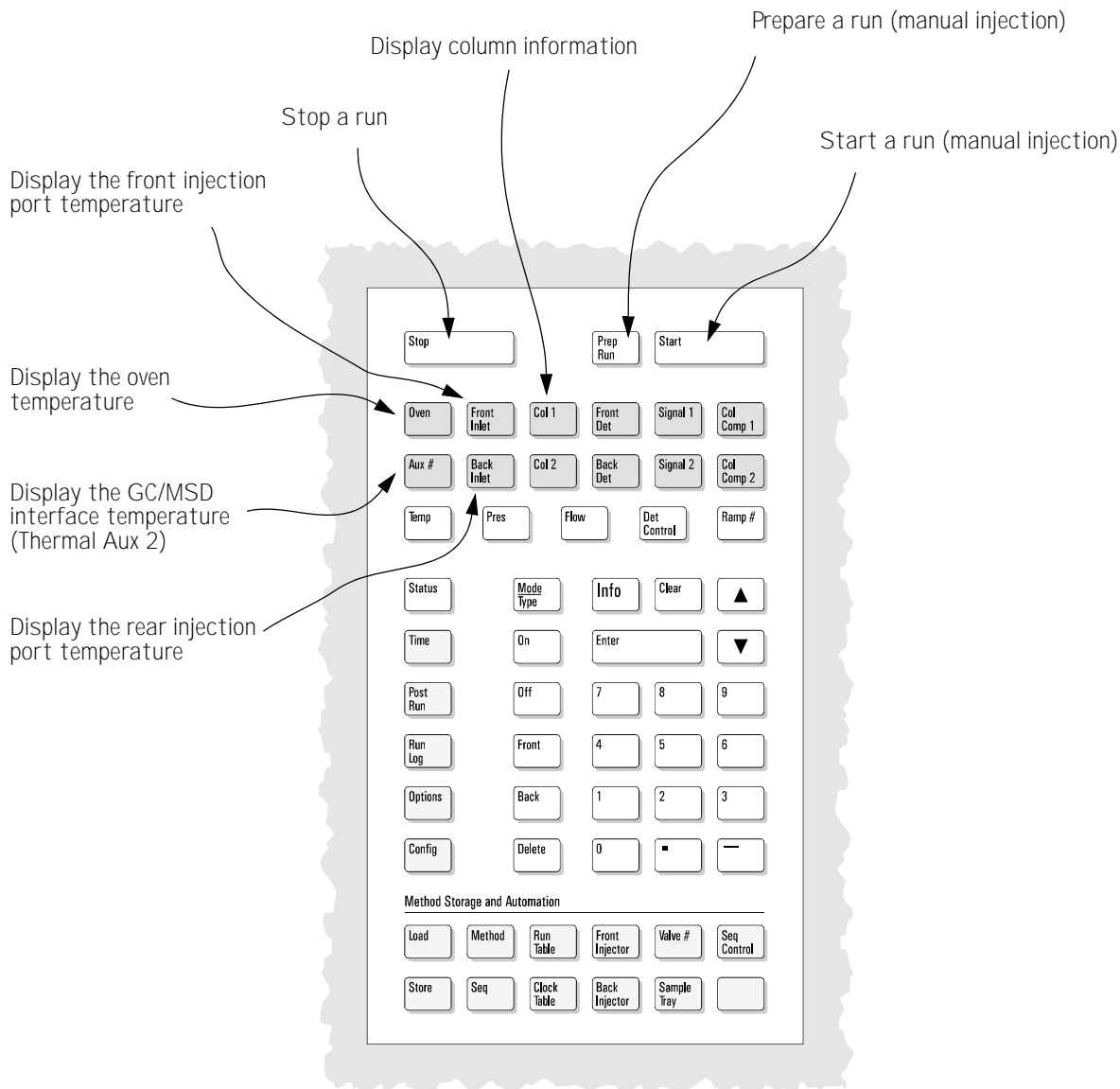
- ❑ Back up your data and methods **regularly** to avoid loss of data if the files are accidentally overwritten or deleted, or if a hardware problem develops with your disk drive.
- ❑ Make sure the tune file you are using is appropriate for your samples.
- ❑ Save Tune reports in a notebook for future reference.
- ❑ Perform system maintenance as indicated by the maintenance schedule in the MSD Hardware Manual and the GC Maintenance and Troubleshooting Manual. Keep a record of all maintenance performed.
- ❑ When venting the MSD, take advantage of the cool GC to do maintenance such as replacing inlet liners, septa, etc.
- ❑ After pumpdown, wait **at least 2 hours** for the MSD to reach thermal equilibrium before tuning or acquiring data.
- ❑ Optimum sensitivity generally occurs at column flow rates of 1.2 ml/minute or less.
- ❑ When injecting volumes greater than one microliter, use the pulsed splitless mode and increase the initial oven temperature 10 – 20°C.
- ❑ For splitless injections, pulsed splitless mode gives more quantitative sample transfer onto the column. A pulse pressure of twice the initial inlet pressure is typical.
- ❑ Selecting Constant Flow mode will provide the most efficient separation in most cases. It also results in constant sensitivity throughout the temperature program.
- ❑ For a new column, check that the column nuts are still tight after the first few oven temperature cycles.
- ❑ Use the Config Status keys on the GC keypad to set the 3 display items most important to you (time remaining, oven temp, etc.). These are then always visible regardless of which ChemStation view is on top.
- ❑ Rinse and refill autosampler wash vials. Do not add more solvent to a partially full vial.
- ❑ Use the following table as a guide to using the SIM or Scan acquisition modes.

Task	Mode
Analyze a mixture with unknown components.	Scan
Analyze a mixture with known components in unknown amounts (quantitate).	Scan or SIM
Identify the presence of a few known compounds at low levels within a mixture.	SIM

- ❑ When choosing masses for SIM, use the exact mass printed in the Tabulation report, not the nominal mass annotated on the spectrum display. This provides more accurate data.
- ❑ When doing SIM analysis, use low resolution mode unless you are trying to determine the ratios of masses one amu apart. Low resolution provides maximum sensitivity and repeatability.
- ❑ Choose the narrowest scan range that still produces good library search results. This allows more spectra across the peak and better quantitation.

# GC Keypad

The MSD ChemStation software provides instrument control for the HP 6890 Series GC. This allows you to use the software, instead of the GC keypad, to program the instrument. However, there are times when you may want to use the keypad to quickly perform one of the following tasks.



---

## Troubleshooting Tips

### MSD is on, but status LEDs are blinking

This is normal when the MSD is initially turned on. It means the data system has not yet established contact with the MSD. If the LEDs continue to blink after the pumpdown is initiated:

- 1 Temporary power failure interrupted communications
- 2 Bad connection between the MSD and the data system

### No peaks

- 1 Incorrect sample concentration
- 2 No analytes present
- 3 Syringe missing or not installed correctly (ALS only)
- 4 Empty sample vial
- 5 Injection in split mode instead of splitless mode

### Tailing peaks

- 1 Active sites in sample path
- 2 Injection too large
- 3 Injection port too cool
- 4 Column flow too low
- 5 GC/MSD interface or ion source too cool

### Peaks with flat tops

- 1 Solvent delay time too short
- 2 Display scale is wrong
- 3 Injection too large
- 4 Electron multiplier voltage too high

### Peaks with split tops

- 1 Bad injection technique
- 2 Injection too large

### Rising baseline

- 1 Column bleed
- 2 Other contamination

### Retention time (RT) drift

- 1 Column has been shortened (shorter RT)
- 2 Old column (shorter RT)
- 3 Active sites in sample path (longer RT)
- 4 Reduced column flow (longer RT)
- 5 Injection port leak (longer RT)
- 6 Initial oven temperature changed (up = shorter RT, down = longer RT)

### Poor sensitivity

- 1 Incorrect tuning
- 2 Tune file does not match type of analysis
- 3 Incorrect temperatures
- 4 Incorrect sample concentration
- 5 Leaking injection port
- 6 Incorrect split ratio
- 7 Purge off time in splitless mode too short
- 8 Excessive pressure in the MSD
- 9 Dirty ion source
- 10 Air leak
- 11 Detector is not working correctly
- 12 Poor filament operation
- 13 Incorrect mass filter polarity

---

## Poor repeatability

- 1 Dirty syringe needle
- 2 Leaking injection port
- 3 Mismatched injection port liner and injection size
- 4 Loose column connections
- 5 Variations in pressure, column flow, and temperature
- 6 Dirty ion source
- 7 Loose connections in the analyzer
- 8 Ground loop

## Inconsistent peakwidths

- 1 Incorrect tuning
- 2 No PFTBA in calibration vial
- 3 Calibration valve failure
- 4 Dirty ion source
- 5 Worn out electron multiplier
- 6 MSD has not had enough time to reach thermal equilibrium
- 7 Large variations in the temperature of the lab

## High background in mass spectra

- 1 Air leak
- 2 Foreline or vacuum manifold pressure too high
- 3 Other contamination

## Ions at m/z 18, 28, 32, and 44

- 1 Detector vented recently (residual air and water)
- 2 Air leak

## Isotopes missing or isotope ratios incorrect

- 1 Incorrect tuning
- 2 Dirty ion source
- 3 High background
- 4 Electron multiplier voltage too high
- 5 Repeller voltage too high
- 6 High scan speed (Scan mode)
- 7 Low dwell time (SIM mode)
- 8 Peaks too wide or too narrow

## Foreline or vacuum manifold pressure too high

- 1 Excessive column flow
- 2 Air leak
- 3 Diffusion pump fluid level too low
- 4 Diffusion pump fluid is contaminated
- 5 Foreline pump oil level too low
- 6 Foreline pump oil is contaminated
- 7 Constricted foreline hose (this would cause the vacuum manifold pressure to be too high but the foreline pressure to be too low)

---

Refer to the MSD Hardware Manual, the GC Maintenance and Troubleshooting Manual, or the online help for more detailed information.

---

## Maintenance Schedule

Maintenance tasks are described in the hardware manuals supplied with your system. How often you need to perform system maintenance may vary for your system. Keep a maintenance record.

### Every day

Check, and if necessary, replace the septum.  
Check the tightness of the injection port liners.  
Check the tightness of the column nuts.

### Every week

Check the foreline pump fluid level.  
Change the injection port liners and O-rings.

### Every month

Clean the split/splitless inlet vent line trap.  
Check for leaks (inlet, column connections).

### Every three months

Replace gas cylinders (when below 500 psig).

### Every six months

Replace the foreline pump fluid.  
Check, and if necessary, refill the calibration vial.

### Every year

Check, and if necessary, replace the diffusion pump fluid.  
Recondition or replace internal and external traps and chemical filters on the GC.

### As needed

Tune the MSD.  
Clean the ion source.  
Replace the carrier gas trap.  
Replace worn out parts (filaments, EM, etc.).  
Replace the column.  
Lubricate seals.

## Safety warnings

### WARNING

Do not perform maintenance with the MSD on or connected to its power source unless specifically instructed to by documentation supplied with the MSD.

### WARNING

The GC/MSD interface can be on and at a dangerously high temperature even though the MSD is off. After it is turned off, the GC/MSD interface cools very slowly. Make sure all parts have cooled before handling them.

### WARNING

Be careful when working behind the GC. During cool-down cycles, the GC will emit hot exhaust that could cause burns.

### WARNING

The oil trap provided for your foreline pump stops only foreline pump oil. If you are analyzing toxic chemicals or using toxic solvents, remove the oil trap and use a hose to route the foreline pump exhaust out of your laboratory.

### WARNING

Use chemical-resistant gloves and safety glasses when replacing pump fluid. Avoid all contact with the fluid.

### WARNING

The insulation around the inlets, detectors, valve box, and insulation cups is made of refractory ceramic fibers (RCF). Avoid inhalation of RCF particles. Ventilate your work area, wear long sleeves, gloves, safety glasses, and a disposable respirator. Dispose of insulation in a sealed plastic bag. Wash your hands with mild soap and cold water after handling RCFs.

## Commonly Used Parts

Description	HP part number
Abrasive paper, 30 µm	5061-5896
Alumina powder	8660-0791
Cloths, clean, lint-free	05980-60051
Column nut (GC/MSD interface end)	05988-20066
Column nut (injection port end)	5181-8830
Cotton swabs	5080-5400
Diffusion pump fluid (quantity of 2 needs to be ordered)	6040-0809
Electron multiplier horn	05971-80103
Ferrules	
Blank, graphite-vespel	0100-0691
GC interface and splitter	
0.3-mm id, 85% Vespel 15% graphite, for 0.1-mm id columns	5062-3507
0.4-mm id, 85% Vespel 15% graphite, for 0.2-mm id and 0.25-mm id columns	5062-3508
0.5-mm id, 85% Vespel 15% graphite, for 0.32-mm id columns	5062-3506
0.8-mm id, 85% Vespel 15% graphite, for 0.53-mm id columns	5062-3538
Injection port	
0.27-mm id, 90% Vespel 10% graphite, for 0.1-mm id columns	5062-3518
0.37-mm id, 90% Vespel 10% graphite, for 0.2-mm id columns	5062-3516
0.40-mm id, 90% Vespel 10% graphite, for 0.25-mm id columns	5181-3323
0.47-mm id, 90% Vespel 10% graphite, for 0.32-mm id columns	5062-3514
0.74-mm id, 90% Vespel 10% graphite, for 0.53-mm id columns	5062-3512
Filament assembly	G1099-60053
Foreline exhaust oil trap	3150-0761
Foreline gauge assembly (diffusion pump MSD only)	G1099-60545
Foreline pump oil	G1099-60300
GC/MSD interface (complete with heater/sensor)	05972-60106
Gloves, clean	
large	8650-0030
small	8650-0029
Injection port liners	5062-3587
Injection port liner O-rings	5180-4182
Manifold O-ring	0905-1242
OFN	8500-5441
Quad heater/sensor assembly	G1099-60172
PFTBA sample kit	05971-60571
Source heater/sensor assembly	G1099-60177
Triode gauge tube	0960-0897

## What's in this Book

Learning About Your System, 2  
Using Online Help, 3  
HP 5973 MSD / HP 6890 Series GC, 4  
MSD Vacuum System - Diffusion Pump, 5  
MSD Vacuum System - Turbo Pump, 6  
MSD Ion Source, 7  
Instrument Control View, 8  
Software Menus, 10  
To vent (shut down) the MSD, 18  
To pump down (start up) the MSD, 19  
To tune your MSD, 20  
To acquire data, 22  
To analyze MS data, 24  
To use spectral libraries, 25  
Operating Tips, 26  
GC Keypad, 27  
Troubleshooting Tips, 28  
Maintenance Schedule, 30  
Commonly Used Parts, 31

## Document History

First Edition, 12/97  
HP 5973 MSD / HP 6890 Series GC with  
the HP G1701BA Software, Rev. B.00.00  
and later until superseded



Printed on recycled paper



Manual Part Number  
G1701-90033

Copyright © 1997  
Hewlett-Packard Company  
Printed in U.S.A. 12/97