

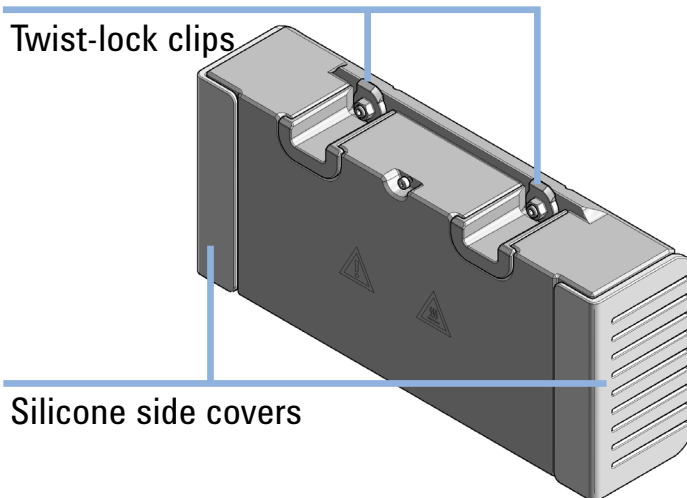
# Installation of the InfinityLab Thermal Equilibration Device

## Technical Note

In this note, the installation of a Thermal Equilibration Device into the Agilent Infinity II Multicolumn Thermostat (G7116A/B) is described.

## Delivery Checklist

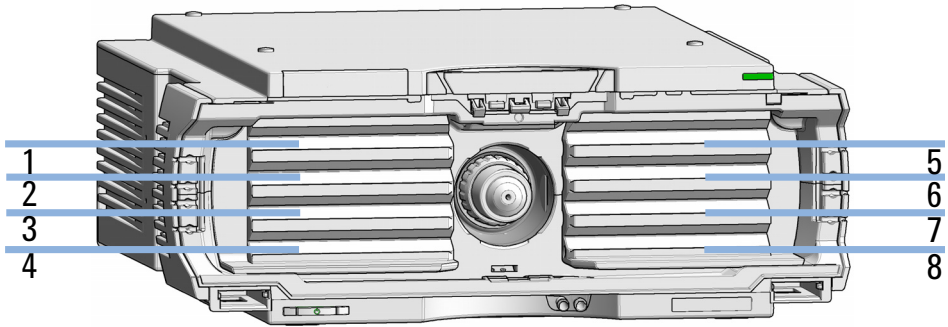
p/n	Description
G7116-60013	InfinityLab Thermal Equilibration Device



Agilent Technologies

# Installation of the InfinityLab Thermal Equilibration Device

The InfinityLab Thermal Equilibration Device occupies the top row of the Multicolumn Thermostat (MCT) (1, 5). Therefore, Quick Connect Heat Exchangers and columns cannot be installed in the top row. Up to 6 columns can be installed in the MCT when two InfinityLab Thermal Equilibration Devices are installed at the same time.



Tools required	p/n	Description
	5023-2502	Hex driver SW-6.35, slitted

**Preparations** Install Quick Change Valve Head and columns according to the instructions in *Multicolumn Thermostat User Manual*.

**NOTE** Divider assembly cannot be installed in the MCT together with the Thermal Equilibration Device at the same time.

**WARNING****Hot Surfaces**

**When an InfinityLab Thermal Equilibration Device is installed, it might be hot.**

Allow the InfinityLab Thermal Equilibration Device to cool down before removing it and performing any procedures with column/valve installation/deinstallation.

---

- 1 Check that the column in use is no longer than 30 cm.
- 2 Place the InfinityLab Thermal Equilibration Device covering one or more installed columns in the way that the twist-lock clips are located at the top of the device.
- 3 Guide capillaries (and column ID tag cords, if installed) through silicone side covers.
- 4 To avoid obstruction of the capillary guidance, remove the side covers of the InfinityLab Thermal Equilibration Devices that point towards the valve.

**NOTE**

This measure is only necessary if several columns are connected to the column selection valve and two InfinityLab Thermal Equilibration Devices are installed in one MCT.

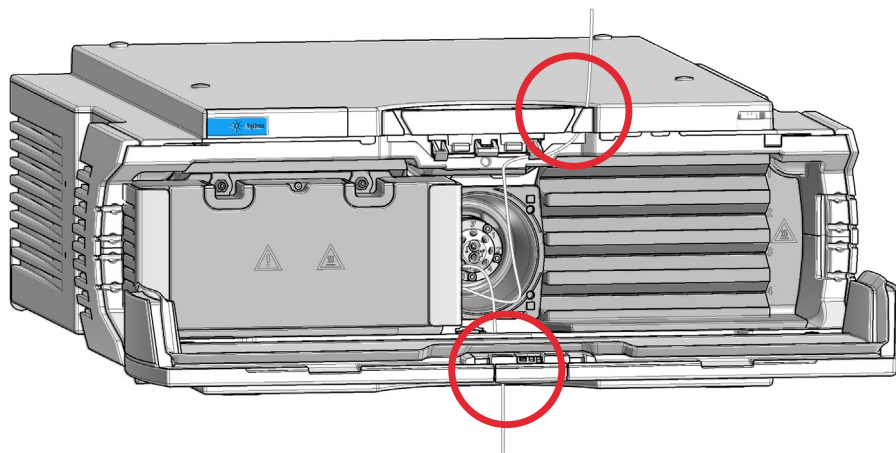
---

- 5 Turn twist-lock clips with the hex-driver to fix the InfinityLab Thermal Equilibration Device in place.

- 6 Guide the capillaries through the recesses provided at the top and bottom of the module.

**NOTE**

This measure prevents the capillaries from being squeezed through the doors.



- 7 Close the MCT door.
- 8 Let the system equilibrate before beginning the analysis.



Part Number: G7116-90150 Rev. A  
Document Number: D0002934 Rev. A

Edition: 08/2020  
Printed in Germany

© Agilent Technologies, Inc 2020

Agilent Technologies, Inc  
Hewlett-Packard-Strasse 8  
76337 Waldbronn, Germany