

# 1260 Infinity II Low Dispersion Kit

## Technical Note

This note describes how to install the 1260 Infinity II Low Dispersion Kit (G7111-68708) and 1260 Infinity II Bio Low Dispersion Kit (G7131-68708).

### **Delivery Checklist** 2

### **Installation** 3

Install the Heat Exchanger Assembly 3

Install the Column 7

## Delivery Checklist

# Delivery Checklist

G7111-68708:

<b>p/n</b>	<b>Description</b>
5500-1201	Capillary ST 0.12 mm x 105 mm SL Heat exchanger to column
5500-1157	Capillary ST 0.12 mm x 500 mm SL/S Sampler to heat exchanger
G7116-60015	Quick Connect Heat Exchanger Standard
G7167-68703	Fitting Intermediate Kit

G7131-68708:

<b>p/n</b>	<b>Description</b>
5500-1593	Quick Turn Capillary MP35N 0.12 mm x 105 mm Heat exchanger to column
5500-1279	Capillary MP35N 0.12 mm x 500 mm SI/SI Sampler to heat exchanger
G7116-60071	Quick Connect Bio Heat Exchanger Standard Flow
5067-5966	InfinityLab Quick Turn Fitting

# Installation

## Install the Heat Exchanger Assembly

<b>Tools required</b>	<b>p/n</b>	<b>Description</b>
	8710-0510	Open-end wrench 1/4 – 5/16 inch
<b>Parts required</b>	<b>p/n</b>	<b>Description</b>
		The following parts are suitable for the 1260 Infinity II LC:
	5500-1201	Capillary ST 0.12 mm x 105 mm SL
	5500-1157	Capillary ST 0.12 mm x 500 mm SL/S
	G7116-60015	Quick Connect Heat Exchanger Standard
	G7167-68703	Fitting Intermediate Kit
		The following parts are suitable for the 1260 Infinity II Prime Bio LC:
	5500-1593	Quick Turn Capillary MP35N 0.12 mm x 105 mm
	5500-1279	Capillary MP35N 0.12 mm x 500 mm SI/SI
	G7116-60071	Quick Connect Bio Heat Exchanger Standard Flow
	5067-5966	InfinityLab Quick Turn Fitting

### CAUTION

Excessive torque applied to the port of the Quick Connect Heat Exchanger can damage it.

- ✓ Do not apply excessive torque to the heat exchanger port.
- ✓ Always use a wrench to counter the heat exchanger port while tightening the capillary fitting.

### NOTE

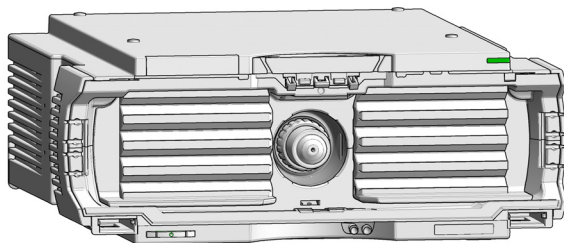
Do not mix capillaries dedicated for different systems.

- Low dispersion capillaries suitable for 1260 Infinity II LC system are marked by red sleeves.
- Bio low dispersion capillaries suitable for 1260 Infinity II Prime Bio LC system are marked by red sleeves with an orange stripe.

### NOTE

Follow the special instructions provided for the Quick Connect and Quick Turn Fittings.

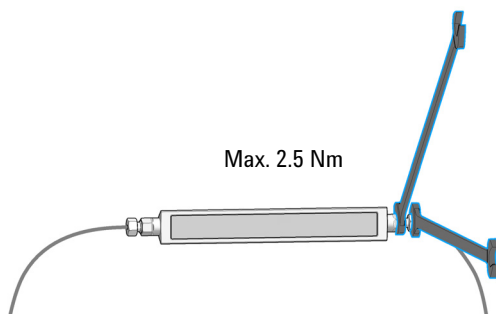
- 1 Choose one of the possible positions for placing the heat exchanger.



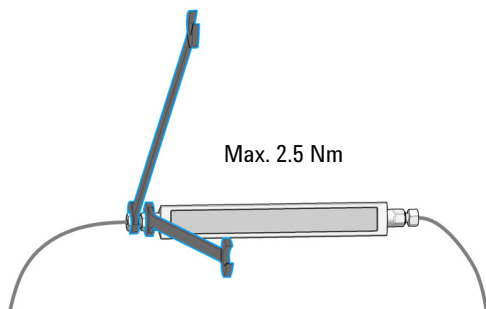
### NOTE

Use one of the four central positions if only one column is used.

- 2 Connect the sampler outlet capillary 0.12 mm x 500 mm from port 6 of the sampler injection valve to the inlet port of the heat exchanger.

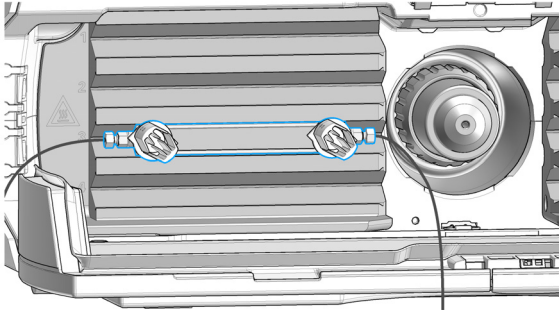


- 3 Connect the column connection capillary 0.12 mm x 105 mm to the outlet of the Quick Connect Heat Exchanger.

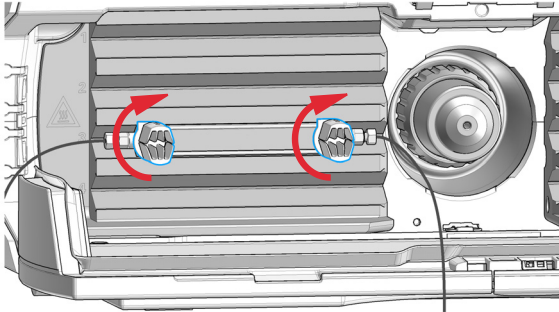


## Installation

- 4 Position the heat exchanger in the groove of the MCT heater block and prepare column holders to fix the heat exchanger.



- 5 Turn column holders to fix the Quick Connect Heat Exchanger in the MCT.



## Install the Column

Tools required	p/n	Description
	8710-0510	Open-end wrench 1/4 – 5/16 inch
Parts required	p/n	Description
		The following parts are suitable for the 1260 Infinity II LC:
	5500-1201	Capillary ST 0.12 mm x 105 mm SL
	G7167-68703	Fitting Intermediate Kit
		The following parts are suitable for the 1260 Infinity II Prime Bio LC:
	5500-1593	Quick Turn Capillary MP35N 0.12 mm x 105 mm
	5067-5966	InfinityLab Quick Turn Fitting

### Preparations

Capillary ST 0.12 mm x 105 mm SL (5500-1201) or Quick Turn Capillary MP35N 0.12 mm x 105 mm (5500-1593) connected to the heat exchanger, see “[Install the Heat Exchanger Assembly](#)” on page 3.

### NOTE

Do not mix capillaries dedicated for different systems.

- Low dispersion capillaries suitable for 1260 Infinity II LC system are marked by red sleeves.
- Bio low dispersion capillaries suitable for 1260 Infinity II Prime Bio LC system are marked by red sleeves with an orange stripe.

- 1 Connect capillary 0.12 mm x 105 mm from the heat exchanger to the column.
- 2 Install capillary between the column and the detector flow cell (Quick Turn fitting to the column).
- 3 Position the column into the column holder clips.

**NOTE**

After using the system with high salt concentrations, flush it extensively with water to prevent blockages caused by salt crystals. Regular extensive washes with water are mandatory when using LD capillaries.

[www.agilent.com](http://www.agilent.com)

© Agilent Technologies Inc. 2016-2021

Printed in Germany

Edition: 04/2021



Part No: G7111-90130 Rev. B

Document No: SD-29000350 Rev. B

