

Installing the Turret for the Automatic Liquid Sampler

Agilent 6850 Automatic Liquid Sampler

Removing the turret

1. Confirm that the sampler is connected to the GC and that power is on.
2. Remove all vials from the turret.
3. Remove the syringe from the syringe carriage.

Caution

Do not pull the needle support assembly by the bottom end. The rod is thin and is easily bent.

4. To remove the needle support assembly, place your finger behind the bearing and pull gently. Hold the assembly by the bearing and guide it down and out of the syringe carriage.



Agilent Technologies

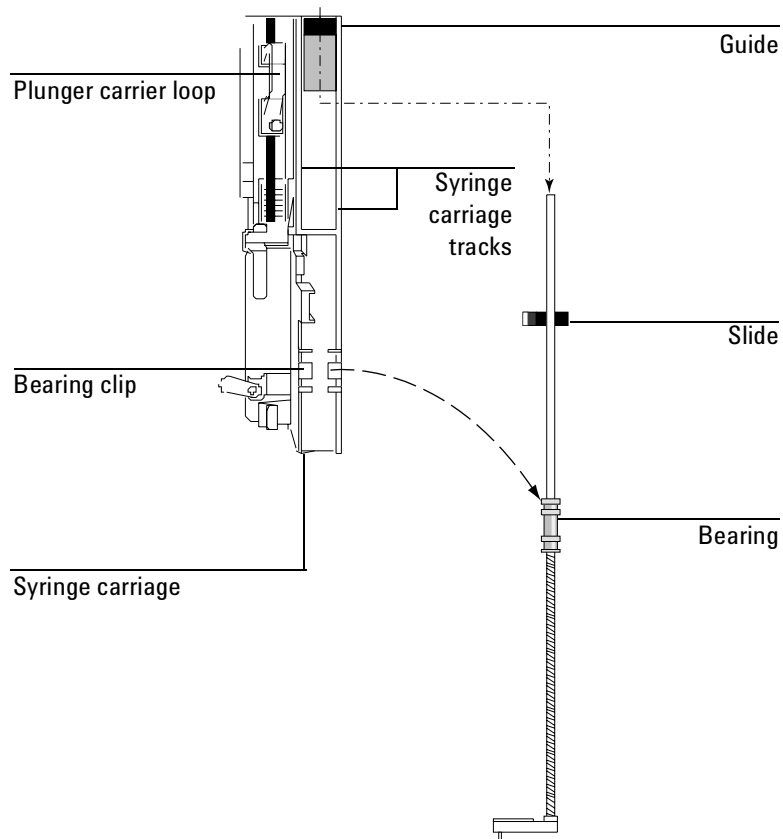
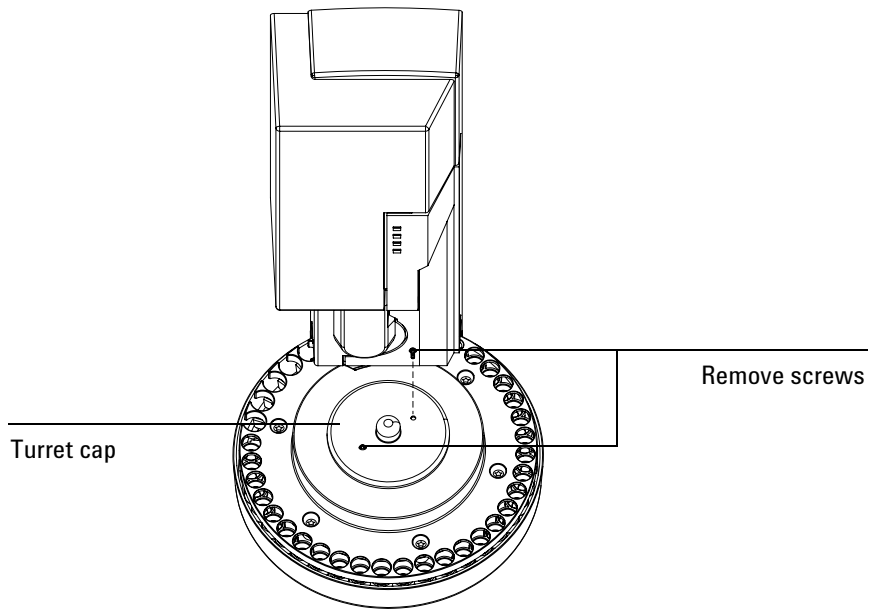


Figure 1. Removing the needle support assembly

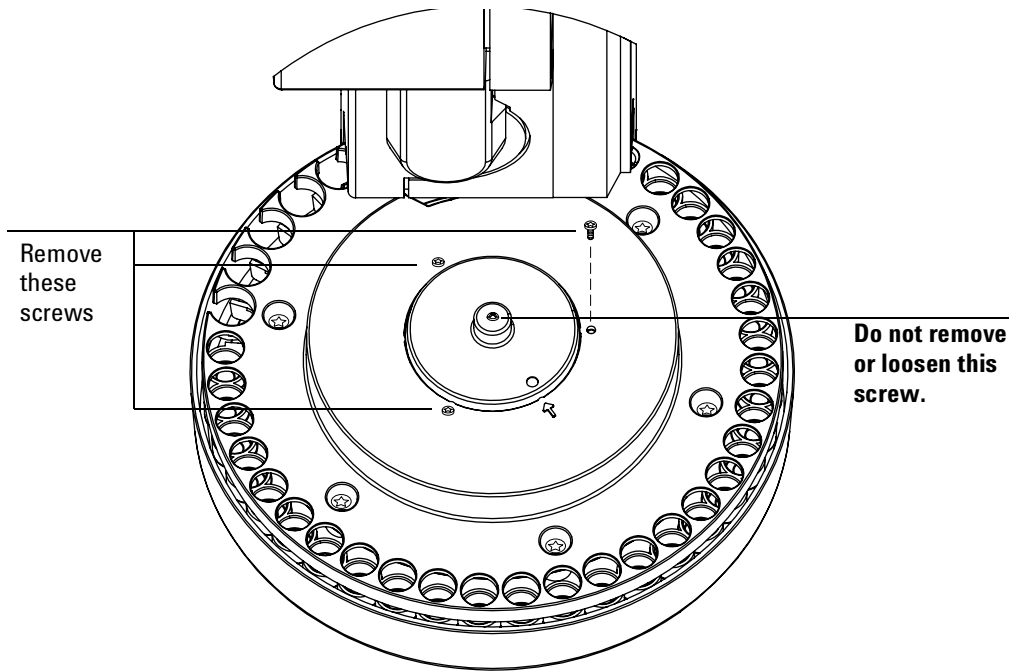
5. Remove the two plastic screws in the turret cap and remove the cap from the turret.



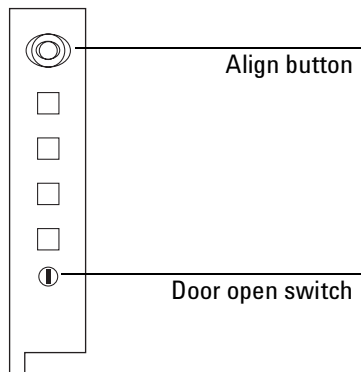
Caution

In the next step, do not loosen the screw in the center of the turret. This screw secures the motor hub in place.

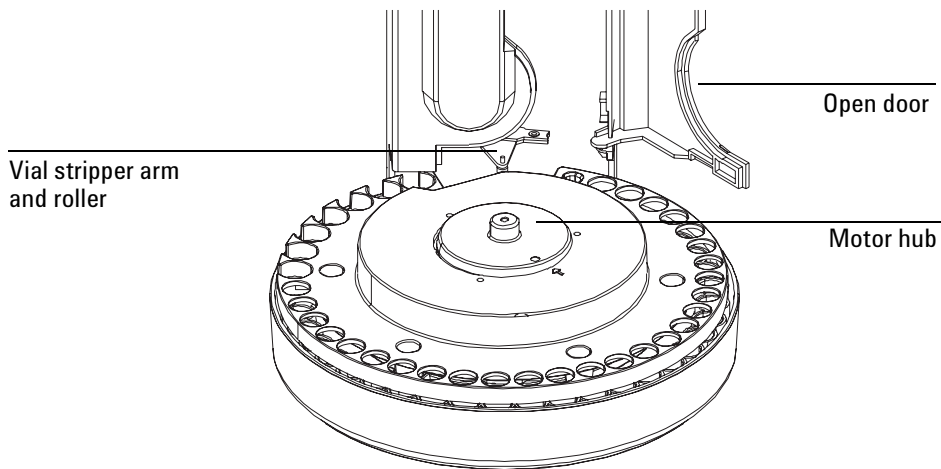
6. Remove the three mounting screws in the turret.



7. With the syringe door open, hold down the door open switch and press the Align button using a pencil or similar object.



The tray will rotate to the position shown below.



8. To remove the turret, lift the turret straight up to free it from the motor hub.
9. Tilt the near edge of the turret up and pull it slowly up and toward you until it clears the roller on the vial stripper arm. If you move it too far toward you it may get caught on the motor hub.
10. Rotate clockwise to clear the stripper, then simultaneously raise and rotate counterclockwise to clear the sampler body. Remove the turret.

Note that the bottom of the turret can easily get caught on the motor hub. If you have the vials removed, you can look through the empty vial positions and see if the inside edge of the turret is caught on the hub.

Installing the turret

This is the reverse of the removal process just described.

1. Orient the turret so that the cutout in the turret faces the injector.
2. Place the turret over the hub so that the metal lip on the turret bottom is past the hub, then tilt the far end down. Slip the edge of the turret between the hub and the edge of the sampler body. Gently push it inwards and down till it rests on the hub.

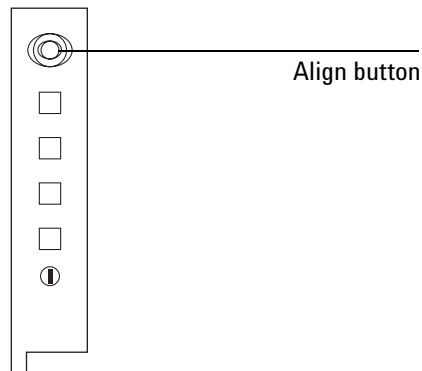
3. Rotate the turret on the hub until the arrow marked on the turret aligns with the circular depression on the hub. The turret will now seat flat against the hub.
4. Install one mounting screw, then rotate the turret. The outer edge should remain level. Install the remaining screws.
5. Reinstall the turret cap.
6. Align the turret and sampler.
 - If the turret that you installed is the same type as the one you removed, alignment is not necessary although it is recommended.
 - If you installed a turret that is different from the one you removed, alignment is required.

Aligning the turret and sampler

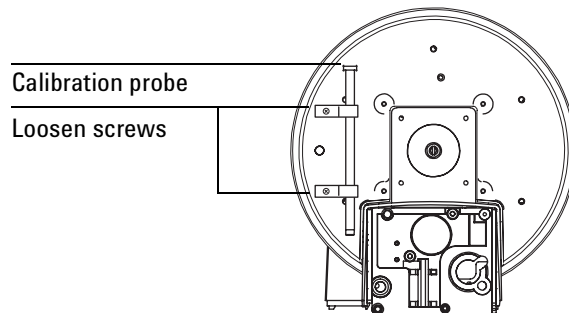
The alignment procedure makes sure that your 6850 ALS is ready for operation using the installed turret.

Always perform an alignment after changing turret types (from the 2-mL vial turret to the 4-mL vial turret, and vice-versa).

1. Remove all vials from the turret. Open the injector door and remove the syringe.
2. Remove the needle support assembly. See Figure 1.
3. Using a pencil or similar object, push the align button (only). The injector and turret will perform a series of checks.



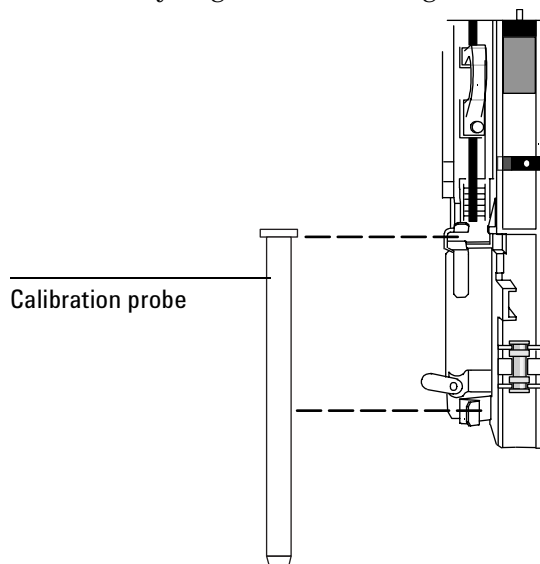
4. Loosen the screws in the clamps that hold the calibration probe to the bottom of the turret and remove the probe. Do not remove the clamps.



5. When the 6850 display reads

Install calib probe
press align button

install the calibration probe into the syringe carrier. The probe installs just like a syringe. Press the Align button.



6. When alignment is complete, the green light will be on if the injector door is closed, or the red light will be on if it is open. Remove the calibration probe and secure it in its clamps below the turret.

If the 6850 ALS fails alignment, refer to the section on the injector and automatic sampler in your 6850 GC User Information CD-ROM for details about the indicator lights, likely causes and resolution.

7. Install the needle support assembly.

Copyright© 2000, 2005
Agilent Technologies, Inc.
2850 Centerville Road
Wilmington, DE 19808-1610
Printed in USA August 2005



G2880-90300