

Agilent Thermostatted Column Compartments G1316A/G1316B

Installing the Valve

General Information	2
Delivery Checklist	2
Installation Procedure	4

This Installation Instruction is relevant for the following modules:

- Agilent 1200 Series TCC (G1316A, G1316B)
- Agilent 1260 Infinity TCC (G1316A)



Agilent Technologies

General Information

Delivery Checklist

Make sure all parts and materials have been delivered. Please report missing or damaged parts to your local Agilent Technologies sales and service office.

Valve kits for the Agilent 1200 Series TCC (G1316A, G1316B)

p/n	Description
G1316-67005	Valve Kit 2POS/6PORT 400 bar
G1316-67006	Valve Kit MICRO 2POS/6PORT 400 bar
G1316-67007	Valve Kit MICRO 2POS/10PORT 400 bar
G1316-67008	Valve Kit 2POS/6PORT 600 bar
G1316-67009	Valve Kit MICRO 2POS/10PORT 600 bar

In addition to the valve, each kit includes:

p/n	Description
G1316-40501	Valve liner
G1316-90140	Technical Note (G1316 A/B Valve Upgrade, ENG)

G1353C Valve upgrade kit for the Agilent 1260 Infinity TCC (G1316A)

p/n	Description
G1353-68750	Valve Kit 2POS/6PORT 600 bar

In addition to the valve, the kit includes:

p/n	Description
G1313-87305	Capillary, 0.17 x 180 mm 1/16 in male/male
G1316-87300	Capillary, 0.17 x 90 mm 1/16 in male/male
G1316-40501	Valve liner
G1316-90140	Technical Note (G1316 A/B Valve Upgrade, ENG)

Installation Procedure

CAUTION

The flexible cables close to the heat exchanger assemblies may be easily damaged.

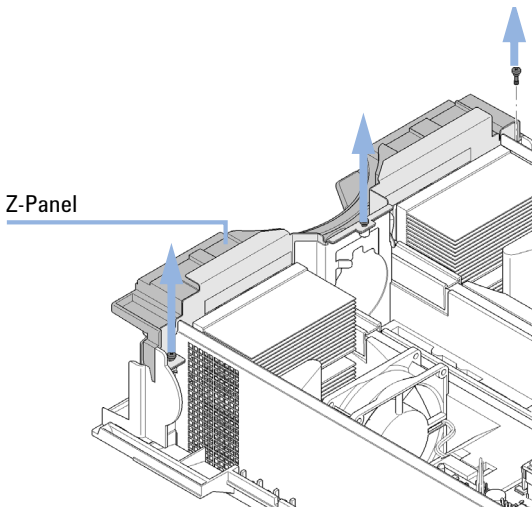
→ Be careful that the flexible cables close to the heat exchanger assemblies are not damaged, especially during steps 3 to 6.

CAUTION

The ambient temperature sensor may be damaged if incorrectly installed.

→ Ensure that the ambient temperature sensor is completely plugged into the rear of the top plastic panel.

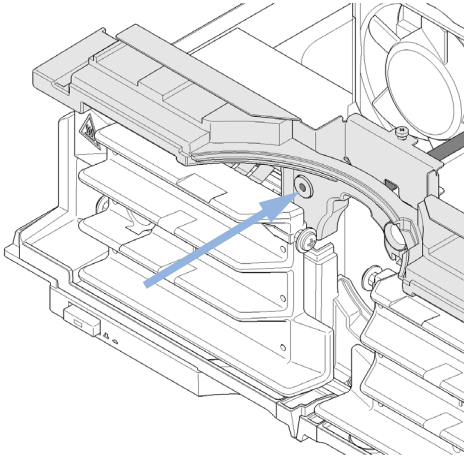
- 1 Unplug the TCC from power and remove it from the stack.
- 2 Remove the TCC plastic top cover and the metal sheet top cover.
- 3 Loosen the 3 screws from the Z-Panel (Top front cover) and carefully lift it for about 2 cm.



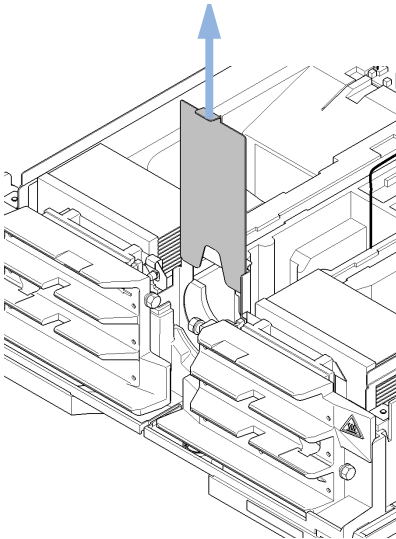
- 4** Locate the ambient sensor which is plugged from the rear into the Z-Panel and push it carefully out of its fixation.

NOTE

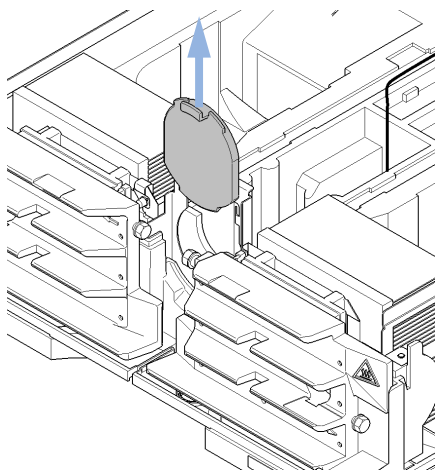
Take care not to damage the sensitive flex-board.



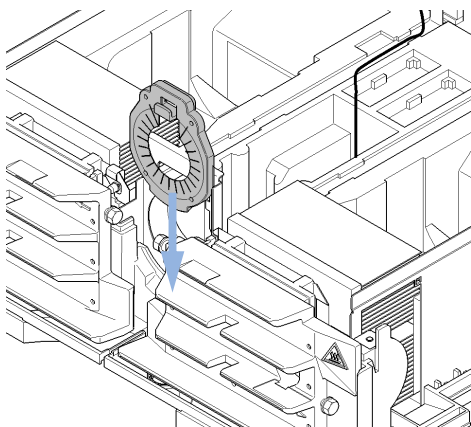
- 5** Now lift off the Z-Panel and remove the shielding plate.



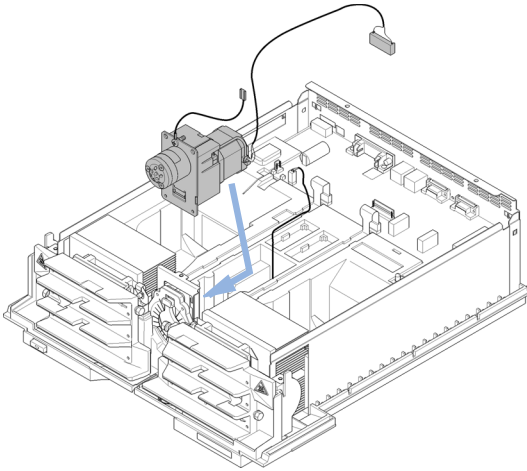
- 6** Remove the slot cover.
(The shielding plate and the slot cover are not used anymore.)



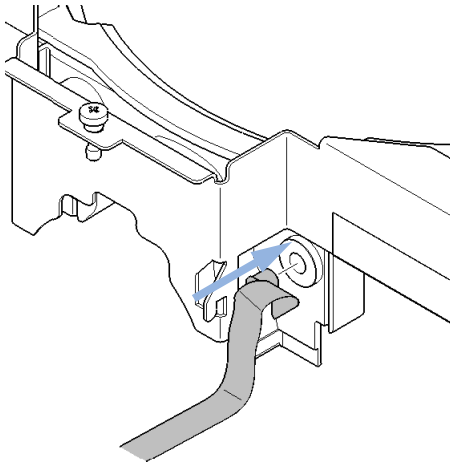
- 7** Install the valve liner which has been delivered with the valve kit.



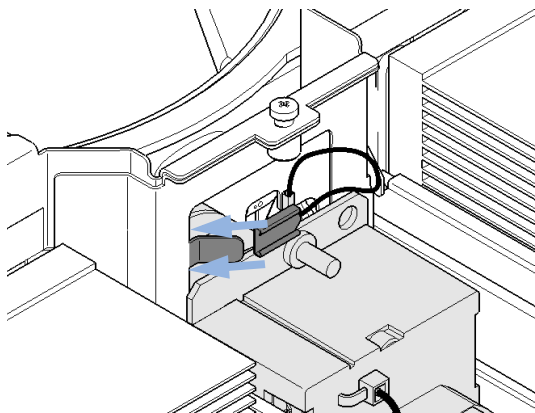
8 Install the valve now into its location in the center of the lower foam. For connecting the valve with the mainboard, the top foam needs to be installed first (see step 11).



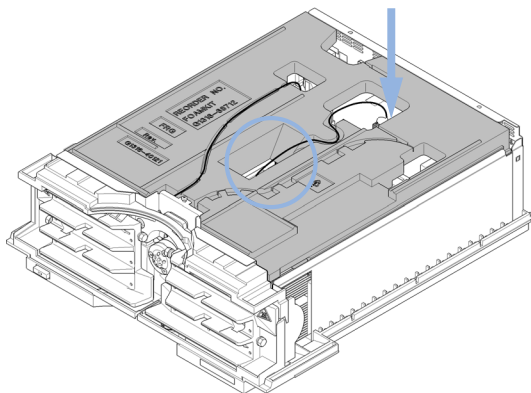
9 Carefully slide the Z-Panel back into its position. Before you finally fix it, reinstall the ambient temperature sensor into its fixation.



10 After the Z-Panel has been fixed by the 3 screws, connect the valve's grounding cable to it.



11 Install the top foam cover and route the valve cable through the center hole to its connector on the mainboard. (The also shown door sensor cable is G1316C only.)



12 Reinstall the top metal sheet and top plastic cover.

13 Reconnect the small corrugated waste tube from the leak funnel to the leak guide connector hole in the Z-Panel.

Edition: 07/2011



Part Number: G1316-90140

© Agilent Technologies 2011
Printed in Germany
Agilent Technologies
Hewlett-Packard-Strasse 8
76337 Waldbronn