



Technical Note for Standard Flow Cell G1314-60086

The objective of this note is to inform you about the new standard flow cell G1314-60086 for the Agilent 1100 series variable wavelength detector, that replaces the part number G1314-60080. This flow cell is also available as G1314A #018.

Changes

The new standard flow cell has been improved on refractive index response. This resulted into the following changes:

- new part number G1314-60086
- new repair kit G1314-65061
- some additional new cell parts

Compatibility Issues

- The “old” standard flow cell G1314-60080 may not be orderable at a certain point (when the available stock is empty).
- Some “old” standard flow cell repair parts are not compatible with the “new” standard flow cell.
- Some “new” standard flow cell repair parts are not compatible with the “old” standard flow cell.

Part Numbers

Table 1

Part numbers - new vs. old

	Flow Cell “NEW”	Flow Cell “OLD”
Flow cell complete	G1314-60086	G1314-60080 *
Repair kit	G1314-65061	G1314-65050
others	see Table 2 on page 2	refer to the reference manual

* This part number will be made unavailable (obsolete) when the current stock has expired. The repair parts (repair kit, windows, gaskets, etc. will continue to be available).

Figure 1

New Flow Cell

- 1 - Cell Screw
- 2 - Conical Springs
- 3 - Ring #1 PEEK
- 4 - Gasket #1
- 5 - Window Quartz
- 6 - Gasket #2
- 7 - Cell cover assembly
- 8 - Ring #2 PEEK

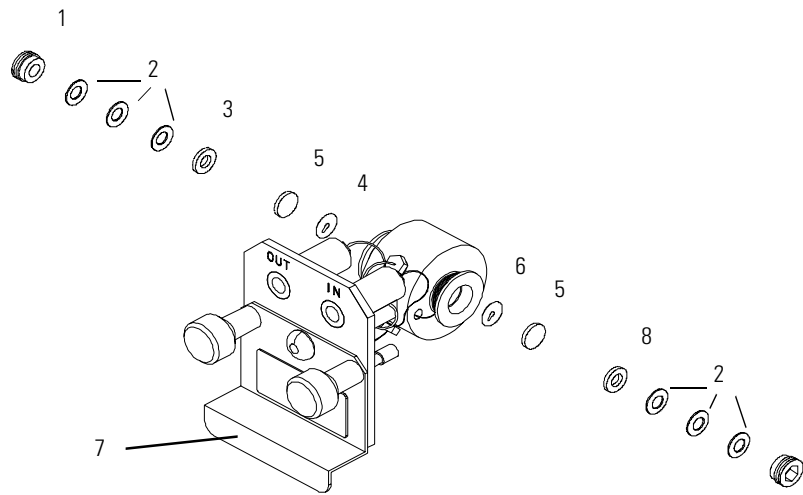


Table 2

New Part Numbers

Item	Description	Part number
1	Cell screw kit, quantity=2	G1314-65062
2	Conical spring kit, quantity=10	79853-29100
3	Ring #1 PEEK kit, quantity=2	G1314-65065
4	Gasket #1, KAPTON, quantity=10	G1314-65063
5	Window quartz kit, quantity=2	79853-68742
6	Gasket #2, KAPTON, quantity=10	G1314-65064
7	Cell cover assembly	G1314-65023
8	Ring #2 PEEK kit, quantity=2	G1314-65066



G1314-90105