

CoreFocus
Report

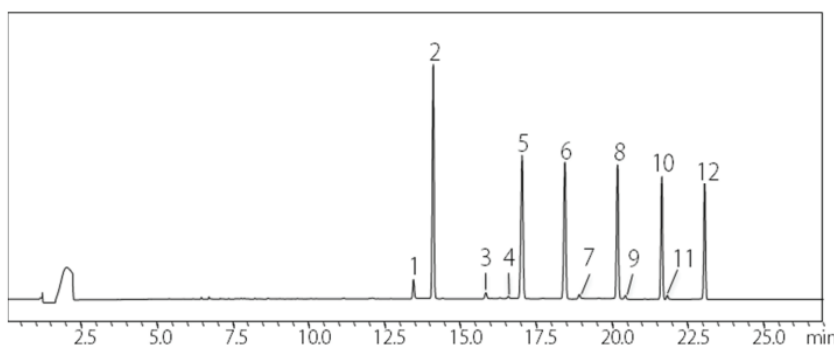
No.312

GC FTD AOC SH Series

SH-5

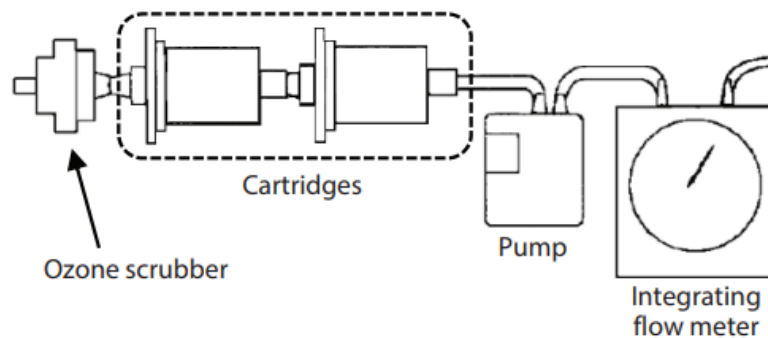
Analysis of Lower Aliphatic Aldehydes

Keywords: Aldehydes, DNPH (2,4-dinitrophenylhydrazine)

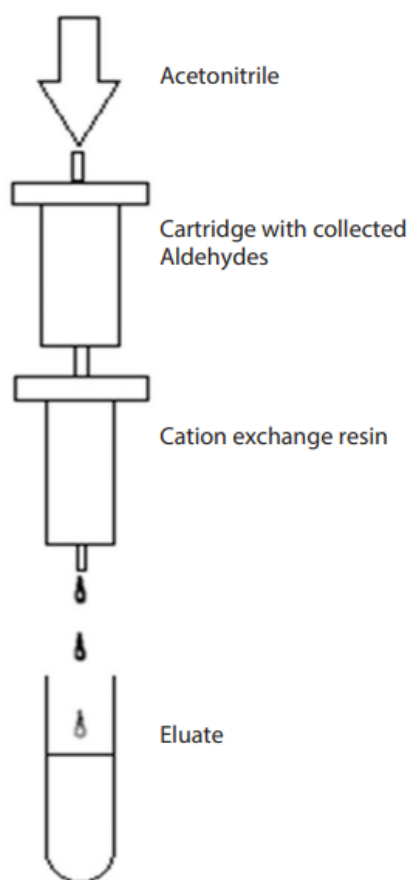


1. acetaldehyde-DNPH1
 2. acetaldehyde-DNPH2
 3. propionaldehyde-DNPH1
 4. i-butylaldehyde-DNPH1
 5. propionaldehyde-DNPH2
 6. i-butylaldehyde-DNPH2
 7. n-butylaldehyde-DNPH1
 8. n-butylaldehyde-DNPH2
 9. i-valeraldehyde-DNPH1
 10. i-valeraldehyde-DNPH2
 11. n-valeraldehyde-DNPH1
 12. n-valeraldehyde-DNPH2
- (1 µg/mL Ethyl Acetate Solution)

Model	: Nexis™ GC-2030 / AOC-20i
Software	: LabSolutions™ LC/GC
Injection Unit Temperature	: 200 °C
Injection Mode	: Splitless (Sampling time: 1 min; then split (1:30))
Sample Injection Volume	: 1 µL
Column	: SH-5 (30 m x 0.25 mm I.D. df = 0.25 mm), P/N: 221-75701-30
Column Temperature	: 80 °C (1 min) - 20 °C/min - 200 °C (10 min) - 5 °C/min - 250 °C (0 min) Total 27 min
Carrier Gas	: He (99.999 %)
Carrier Gas Control	: Constant linear velocity (41.7 cm/s, purge flowrate: 3 mL/min)
Detector	: FTD-2030 (Flame Thermionic Detector)
Detector Temperature	: 280 °C
Current	: 1.00 pA
Detector Gas Flowrate	: H ₂ : 1.5 mL/min, Air: 145 mL/min
Makeup Gas Flowrate	: 27.5 mL/min (He)



Schematic Diagram of Collection Method



Schematic Diagram of Elution Method Collection Method

Source : Application News G292 ([JP](#), [ENG](#))

CoreFocus, Nexis and LabSolutions are trademarks of Shimadzu Corporation or its affiliated companies in Japan and/or other countries.

Shimadzu Corporation

www.shimadzu.com/an/

For Research Use Only. Not for use in diagnostic procedures.

This publication may contain references to products that are not available in your country. Please contact us to check the availability of these products in your country.

The content of this publication shall not be reproduced, altered or sold for any commercial purpose without the written approval of Shimadzu.

Company names, products/service names and logos used in this publication are trademarks and trade names of Shimadzu Corporation, its subsidiaries or its affiliates, whether or not they are used with trademark symbol "TM" or "®".

Third-party trademarks and trade names may be used in this publication to refer to either the entities or their products/services, whether or not they are used with trademark symbol "TM" or "®".

Shimadzu disclaims any proprietary interest in trademarks and trade names other than its own.

The information contained herein is provided to you "as is" without warranty of any kind including without limitation warranties as to its accuracy or completeness. Shimadzu does not assume any responsibility or liability for any damage, whether direct or indirect, relating to the use of this publication. This publication is based upon the information available to Shimadzu on or before the date of publication, and subject to change without notice.