

Installation Instruction for ProfIC Vario 2 Cat

ProfIC Vario 2 Cat is a very compact and Professional IC Vario system for the fully automatic determination of non-suppressed cations or anions with Metrohm Inline Ultrafiltration. «ProfIC Vario 2» safely masters all routine tasks in ion chromatography. It is simple to use and extremely reliable.

For the installation instructions for suppressed systems, please check AB-365.

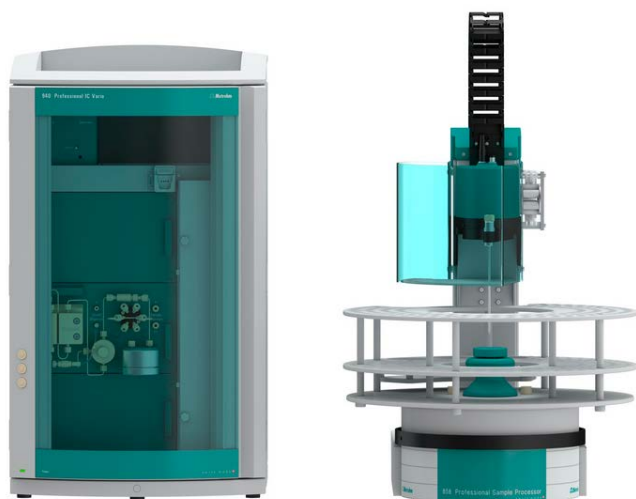


Table of contents

1.	Delivery Package	2
2.	Installation.....	2
2.1.	Installation of the software	2
2.2.	Accessory Kit: Vario/Flex Basic (6.5000.000)	2
2.3.	Accessory Kit: Vario/Flex ONE (6.5000.010)	2
2.4.	858 Professional Sample Processor	2
2.4.1.	Ultrafiltration cell	3
2.5.	Interconnection of devices	3
2.6.	940 Professional IC Vario	3
3.	MagIC Net.....	4
3.1.	Configuration.....	4
3.2.	User defined determination	4
3.3.	Purge of the system	4
3.3.	User defined determination	5
4.	Exemplary measurement	6
5.	Optional equipment.....	7
5.1.	Liquid Handling Station	7
5.2.	Eluent Production Module.....	8

1. Delivery Package

Delivered with ProfIC Vario 2 Cat package:

Nr	Article no.	Article designation
IC		
1	2.940.1100	Professional IC Vario ONE
Detector		
2	2.850.9010	IC Conductivity Detector
Accessories		
1	6.5330.110	IC Equipment: Inline Ultrafiltration
Sample processor		
1	2.858.0020	Professional Sample Processor - Pump
Optional		
1	6.6059.302	MagIC Net™ 3.0 Professional CD – 1 license
1	6.6059.303	MagIC Net™ 3.0 Multi – 3 licenses
1	6.2041.760	Sample rack 54 x 11 mL + 1 x 300 mL
1	6.2041.440	Sample rack 148 x 11 mL + 3 x 300 mL
1	6.2743.050	Sample tubes 11 mL
1	6.2743.070	Stopper with perforation
1	6.1050.420	Metrosep C 4 - 150/4.0
1	6.1050.500	Metrosep C 4 Guard/4.0
1	2.941.0010	Eluent Production Module
1	6.2769.110	Sensor empty 2L

2. Installation

Following is a detailed description of how to install ProfIC Vario 2 Cation.

We strongly recommend that the individual steps are carried out in the order given below.

2.1. Installation of the software

All programs must be shut down first. Make sure no Metrohm instrument is connected to the PC. Install MagIC Net with the help of the MagIC Net - CD. The Microsoft Installation Wizard is accepted and executed. All the standard directories proposed by the program should be accepted. Restart windows.

Now as soon as you connect a new Metrohm instrument via USB connection to the PC, the driver is installed and a window will pop up in MagIC Net, asking you if you'd like to store this device in your configuration. If you do, please

answer with yes. The names will be checked later in this installation instruction.

2.2. Accessory Kit: Vario/Flex Basic (6.5000.000)

Using the Accessory Kit Vario/Flex Basic, install the Professional IC Vario. Remove handle, place the detector block in the instrument and connect the detector cable, remove the transport locking screws, connect the leak sensor cable and connect the drainage tubing.

In continuation, set up the waste collector by assembling the cap and screwing it onto the vessel. Then hang the waste collector holder on the side of the IC, so you can observe the droplets coming out of the capillaries later connected to the collector. Attach the waste tube to the vessel and lead it to the waste canister. When the tube is too long, please shorten it, because it is important to have a high level difference for the liquid to drain.

The power cable and USB cable (6.2151.020) are plugged into the rear of the Professional IC Vario. Please don't switch on the instrument yet. This step will follow after the completed installation.

2.3. Accessory Kit: Vario/Flex ONE (6.5000.010)

In the box with the Accessory Kits ONE, you will find all the accessories for setting up the eluent bottle. Please lead the aspiration tube for the eluent through the M8 stopper, the earring and the eluent cap. Then fix the white weight (6.2744.210), the adaptor (6.2744.210) and the aspiration filter (6.2821.090) on the eluent aspiration tube, all the while being careful not to touch the filter and its connections with bare hands in order to avoid cross contamination. Also fix the filled adsorber tube on the eluent cap. Please refer to the 940 Professional IC Vario manual for a stepwise description.

2.4. 858 Professional Sample Processor

For a detailed description, please refer to the 858 Professional Sample Processor manual. In general, you will have to do the following: Plug in the Swing Head connection cable and the power supply cable. The controller cable (6.2151.000) is plugged into the plug "Contr." on the 858 and connected to the IC device via USB. The sample processor initializes and lifts its Swing Head, once the IC device it is connected to is recognized by the software. For this, you have to plug the USB cable of the IC into the PC and turn it on. Afterwards, it is possible to mount the retaining plate, the needle and the safety shield (for detailed instructions please refer to the 858 Professional Sample Processor manual).

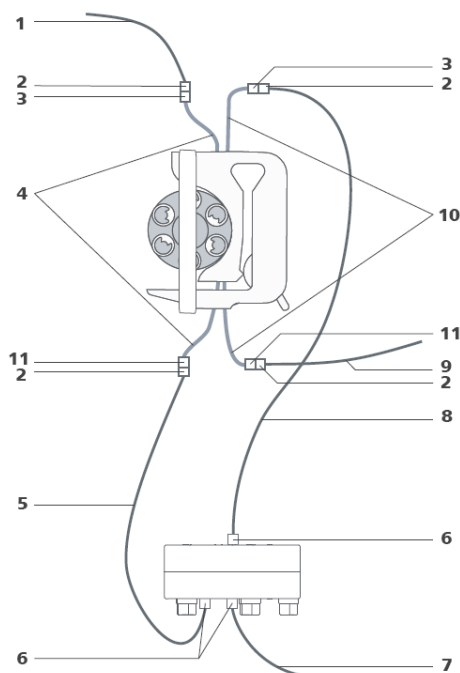
For the following installations, please shut down the IC again and disconnect the 858 from the power supply.

2.4.1. Ultrafiltration cell

In this setup, an ultrafiltration cell is mounted in between the sample pickup (needle on Sample Processor) and IC system. For this, please mount the cell holder which is included in the IC Equipment: Ultrafiltration (6.5330.110) onto the Sample Processor on right side of the tower. For detailed instructions, please refer to the Ultrafiltration Cell Manual.

The filter membrane is soaked in ultrapure water for preconditioning. After inserting the filter membrane and the sealing ring, the cell is tightly screwed together.

Capillary connections are shown in the illustration below. The flow must be higher at the sample side than at the filtrate side. That is why it is important to use a bigger pump tubing (yellow/yellow) and 0.97 mm i.D. capillaries on the sample side, and thinner pump tubing (yellow/orange) and the shortest possible 0.5 mm i.D. capillaries on the filtrate side. Only use the PVDF screws in combination with the UF cell as the material of the cell is prone to break with PEEK screws.

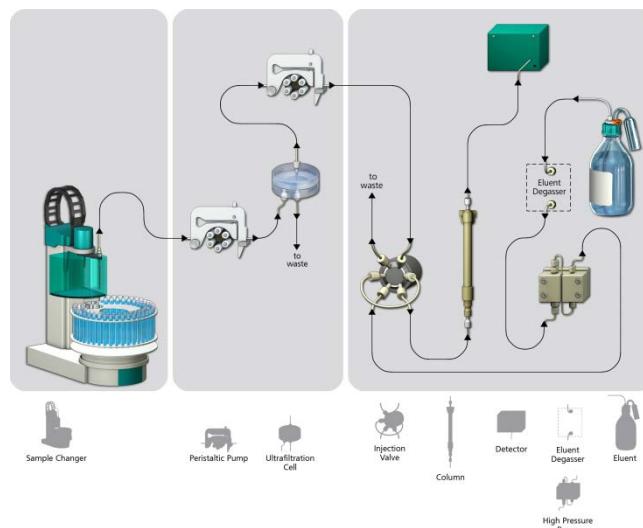


1. PEEK capillary (6.1831.160) connected with the needle of the Sample Processor for aspirating the sample
2. PEEK pressure screw (6.2744.070)
3. Coupling olive (6.2744.030)
4. Pump tubing (6.1826.390) with yellow-yellow stoppers for conveying the sample
5. PTFE capillary (6.1803.060) for conveying the sample from the peristaltic pump to the ultrafiltration cell (0.97 mm i.D.)
6. PVDF pressure screw (6.2744.000) for connecting the capillaries to the ultrafiltration cell

7. PTFE capillary (6.1803.080) for conveying the sample from the ultrafiltration cell to the waste collector (0.97 mm i.D.)
8. PTFE capillary (6.1803.050) for conveying the filtrate from the ultrafiltration cell to the peristaltic pump
9. PEEK capillary (6.1831.060) for conveying the filtrate from the peristaltic pump to the injection valve for cation analysis in the IC instrument (number 5 in chapter 2.6)
10. Pump tubing (6.1826.320) with yellow-orange stoppers for conveying the filtrate
11. Pump tubing connection with safety device (6.2744.160)

2.5. Interconnection of devices

The whole setup of the ProfIC Vario 2 Cation packet is depicted here:



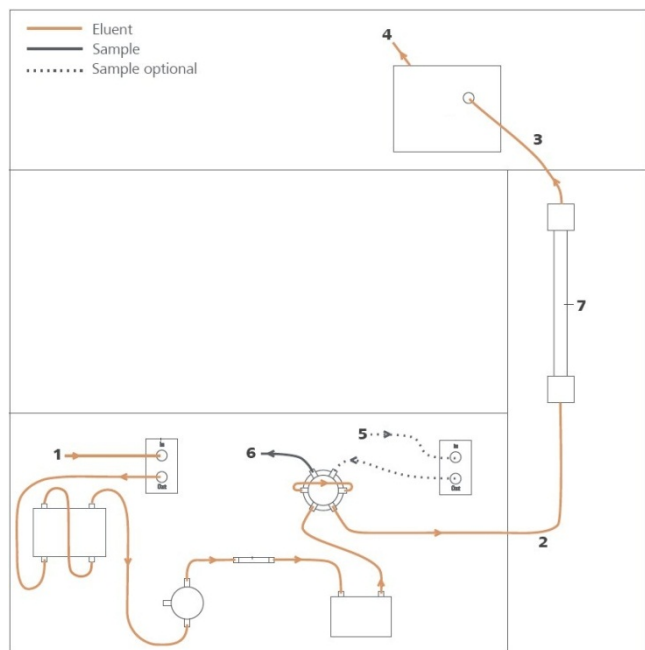
Prepare and degas an eluent suitable for the column you want to use (see column manual). For Metrosep C 4 - 150/4.0 a solution of 1.7 mM HNO₃ / 0.7 mM dipicolinic acid (DPA, 2,6-Pyridinedicarboxylic acid) has to be prepared.

2.6. 940 Professional IC Vario

Capillaries are connected according to the following list and the diagram below:

1. Connection to the eluent bottle
2. Capillary to column inlet - 0.25 mm ID
3. Detector inlet capillary
4. Detector outlet capillary, connected to the waste collector
5. Sample aspiration capillary (PEEK, 0.5 mm ID), coming from the Ultrafiltration Cell (chapter 2.4.1 number 9) (with optional sample degasser)

6. Sample outlet capillary (PTFE, 0.5 mm ID), ca. 1 m, connected to the waste collector
7. The UNF 10/32 coupling (6.2744.040) is installed instead of the column to rinse the system with eluent. After rinsing the column is installed.



The sample injection is at position 1 of the cation valve (see diagram, capillary number 5). A counter current flow of the sample with regard to the eluent flow is recommended in order to minimize diffusion and carry over. Make sure that all outlet capillaries are put into the waste collector.

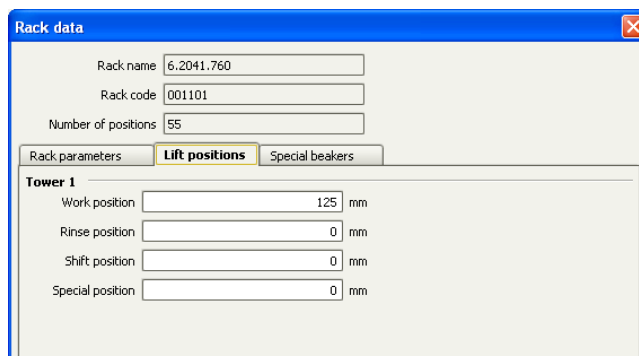
3. MagIC Net

3.1. Configuration

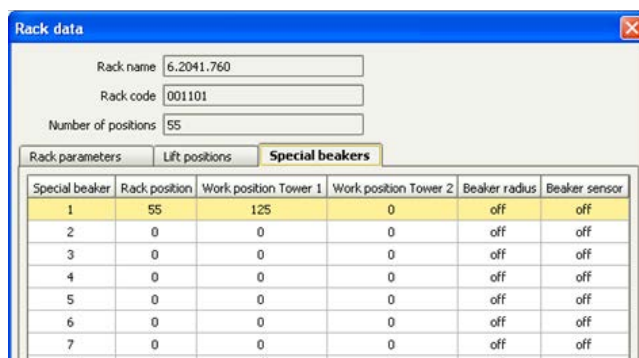
Now please connect the USB cables from the instruments and turn their power on. Connected USB devices are automatically recognized when MagIC Net is started. The Microsoft Installation Wizard is accepted and executed. After confirmation of the automatically generated requests, the devices are stored in the configuration. The devices are predefined as "940 Professional IC Vario 1" and "858 Professional Sample Processor 1". Name them accordingly, if other names appear in your configuration (e.g. due to changed settings on your computer).

In the window configuration, the 940 Professional IC Vario, the 858 Professional Sample Processor and the column Metrosep C 4 - 150/4.0 are visible. Add and define the eluent.

The settings for the rack require a "work position" fitting to the respective rack (e.g. 125 mm for rack 6.2041.760).



Also define a special beaker for rinsing the needle. Fill a beaker with ultrapure water and place it at the defined position on the rack.



3.2. User defined determination

In the window method, import the method for ProfIC Vario 2 Cation from the installation CD: Go to File → method manager and choose your method group. Afterwards, click on edit → import and choose the pathway on the installation CD:

MagICnet\examples\methods\ProfIC Vario\ProfIC_Vario_2_Cation.imet.

In the window method, open the ProfIC Vario 2 Cation method and assign the following equipment: Define the rack of the connected sample processor, assign the eluent to the respective IC pump, and register the column Metrosep C 4 - 150/4.0 to the analysis cation. Perform a method test and save the method.

3.3. Purge of the system

Before inserting the column, flush the system for about 10 minutes and get rid of air bubbles (by using the purge valve and syringe).

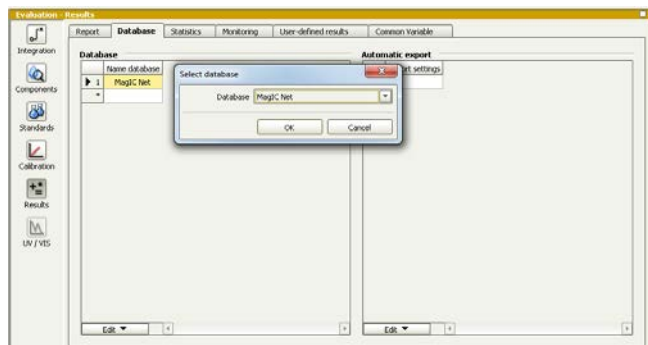
Now insert and rinse the precolumn for 10 minutes by leading the outlet directly into the waste. Afterwards connect the analytical column and flush it likewise for 10 minutes. Only after these steps have been performed, the column is completely connected to the flow path of the eluent (see also 940 manual).

In order to start the equilibration, go to the window work place, load the cation method, and press "Start HW".

Equilibrate the system until the baseline is stable.

3.3. User defined determination

In the window method, enter the ions and the concentrations of the required standards. Now please add the correct Database in the Evaluation window (Evaluation - Results - Database) for the method.

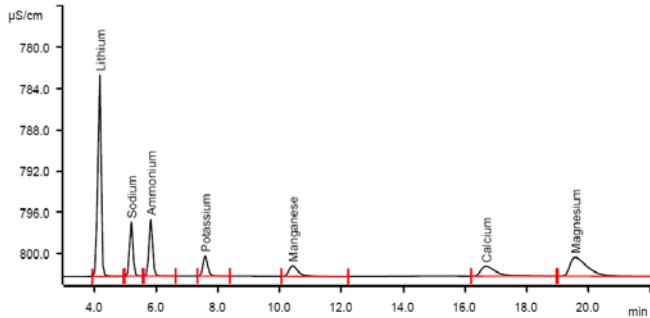


In the window work place, set up a “determination series”, describing your samples by ident, vial number, sample type (standard, blank, or sample etc.). After putting the analyte solutions onto the rack, press “start”.

For evaluation and after recording the first chromatogram, check the retention times of your compounds. Since they depend on the performance of your column, you may have to adjust them in your method.

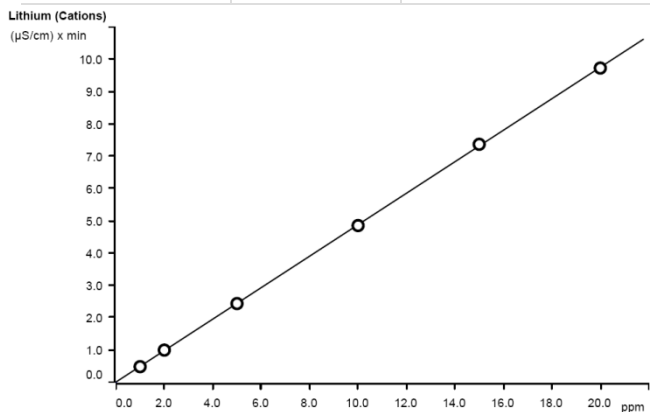
4. Exemplary measurement

Lithium, sodium, ammonium, potassium, manganese, calcium, and magnesium were measured as exemplary cation standard (5 mg/L). With 0.7 mmol/L dipicolinic acid (DPA, 2,6-Pyridinedicarboxylic acid) calcium elutes faster than magnesium.



For the calibration, the average peak areas of 3 injections were evaluated. Within the concentration range of 1 – 20 mg/L, a linear curve type was used for evaluation. Correlation coefficients and standard deviations are listed in the following table. The calibration curve for lithium is shown as an example.

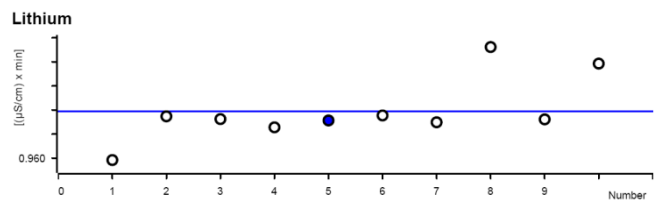
	Correlation coefficient	Percentage standard deviation [%]
Lithium	0.999968	0.768
Sodium	0.999800	1.886
Ammonium	0.999990	0.428
Potassium	0.999919	1.249
Manganese	0.999973	0.704
Calcium	0.999964	0.910
Magnesium	0.999957	0.892



$A = 1.54641E-3 + 0.0487285 \times Q$	
Relative standard deviation	0.768%
Correlation coefficient	0.999968
Curve type	Linear
Weighting	1

The precision of 2 mg/L cation standard was determined. The results are shown in the following table and an exemplary trend chart is shown for lithium.

Ion	Standard deviation	
	relative [%]	absolute [mg/L]
Lithium	0.258	0.005
Sodium	0.476	0.009
Ammonium	0.488	0.01
Potassium	0.353	0.007
Manganese	2.918	0.06
Calcium	3.175	0.063
Magnesium	0.786	0.016



5. Optional equipment

5.1. Liquid Handling Station

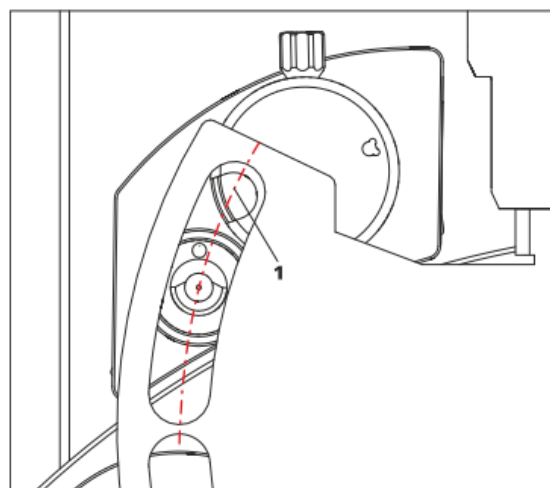
The Liquid Handling Station (LQH Station) consists of two function units: The rinsing and the dilution unit. As an add-on it is mainly useful for rinsing the needle on the inside and outside, thus minimizing contamination.

The following accessories are needed:

Nr	Article no.	Article designation
1	6.1819.100	FEP aspiration tubing to 2 L bottle
1	2.800.0010	800 Dosino
1	6.3032.150	5 mL Dosing Unit
1	6.1014.200	Metrosep I Trap 1 - 100/4.0
1	6.1608.070	Eluent bottle /2 L / GL 45
1	6.1831.180	PEEK capillary i.D. 0.5 mm, 3 m
1	6.2744.010	Pressure screw 5x
1	6.2841.120	Liquid Handling Station left
1	6.2744.080	M6 thread/UNF 10/32 coupling

The installation of the LQH Station is done in two steps: First mount and align the Liquid Handling Station on the left hand side of the Sample Processor. To accomplish this, remove the sample rack and place the Liquid Handling Station on the black rail of the Sample Processor. Secure it temporarily in place with the screw and then loosen the small screws of the foot. The rack is replaced on the Sample Processor and the small screws are fixed in a way that the approximate distance between LHS and rack is 0.5-1 mm.

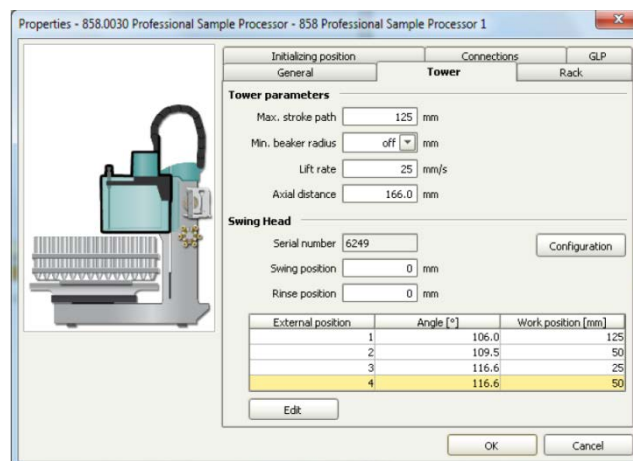
Now the Liquid Handling Station needs to be aligned with the retaining plate. For this, loosen the big screw again and move the Station underneath the retaining plate. Looking from above you should now be able to see the small hole of the rinsing unit and part of the big hole of the dilution vessel, similar to the following image.



When you have found the correct position, please tighten the screw to fix the LQH Station completely to the Sample Processor.

In a second step, the work positions for the sample tube need to be defined in the configuration.

Please go to the configuration of the Sample Processor. Under Tower it is possible to define external positions of the swing head. For rinsing purposes, only the External Position 1 (small inner tube) and the External Position 2 (outer tube of rinsing unit) have to be defined. The proposed angles are only guiding values; they need to be adapted for every system separately. This can be done easily by adjusting the angles in the manual control window. As soon as you have found the correct angles, make sure to save them in the configuration. The work positions are fixed for all of the different setups.

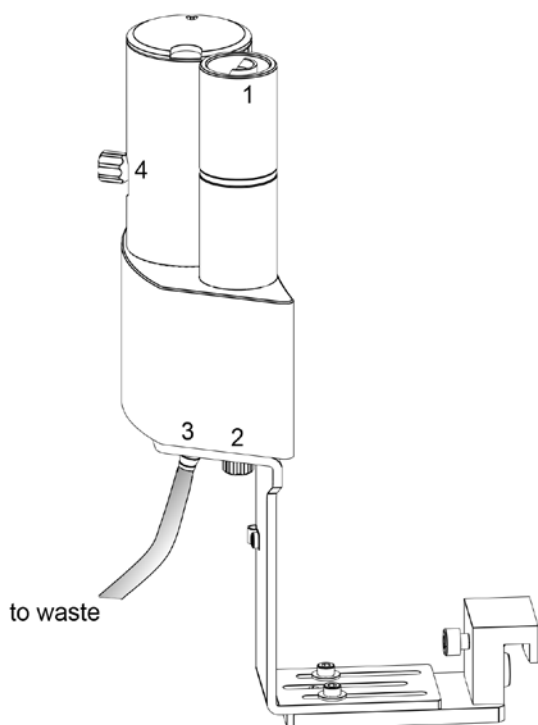


Mount the Dosino on the 5 mL Dosing Unit and connect the FEP aspiration tube M6 (6.1819.100) on Port 2 of the Dosino. Then, fill the 2 L bottle with ultrapure water and fix the Dosino with the Dosing Unit on it.

Disconnect the 858 Sample Processor from the energy source and plug in the Dosino at an MSB port of the 858. Reconnect the Sample Processor to the energy source.

Now, please connect the Dosino port 1 with an adapter (6.2744.080) and a capillary to the PEEK pressure screw (Nr. 2) on the Liquid Handling Station. Then use the Dosino to push water from below into the rinsing unit when needed. Here, it is recommended to install an I-Trap (6.1014.200) into the flow path of the water, in order that the water is cleansed from all impurities that could build in the water reservoir. During the rinsing the inner tube of the rinsing unit is meant to be filled constantly with fresh Ultrapure Water, so the aspiration needle can be thoroughly cleaned from the outside.

Please fix the PVC tubing (6.1801.120) on the disposal connector on the bottom of the Liquid Handling Station and lead its other end into a waste canister.



Number 4 of the picture above shows the attachment point of a capillary in case of a dilution feature and Number 1 indicates the rinsing entity.

The rinsing time program with the Liquid Handling Station works similar to the one for rinsing with a special beaker: Just swing to the wanted angle, go into work position and start the Dosino. Make sure to always dispose the waste in the external position 2.

5.2. Eluent Production Module

The 941 Eluent Production Module creates fresh new eluent out of eluent concentrate and ultrapure water. For installation instructions and further information, please refer to the 941 Eluent Production Module Manual.