

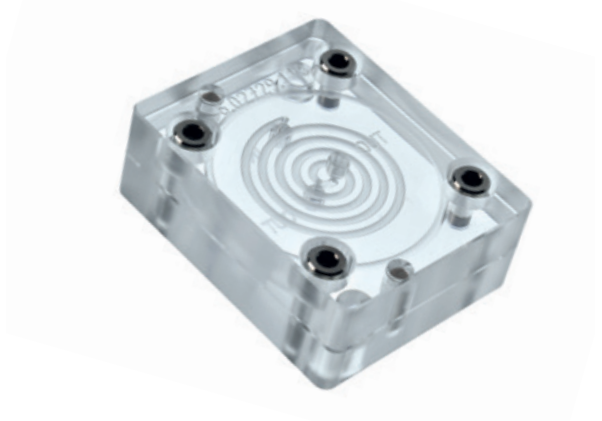


Metrohm Inline Ultrafiltration

The most efficient way to clean your IC samples has now become even better

HIGHLIGHTS

- Metrohm Inline Ultrafiltration integrates fully automated sample filtration in the analysis
- eliminates time consuming manual filtration
- reduces costs of routine analysis as there is no need for filtration cartridges
- protects and increases the column lifetime
- can be combined with Metrohm Inline Dilution and intelligent Partial Loop Injection Technique



Half the sample volume, double the lifetime of the filter membrane

The column is arguably the most delicate part of your ion chromatography system. Sample matrices contaminated with particles or bacteria pose a threat to it, as they may increase back-pressure, reduce column performance, and may even destroy it. It is therefore highly recommended that samples are filtered prior to injection.

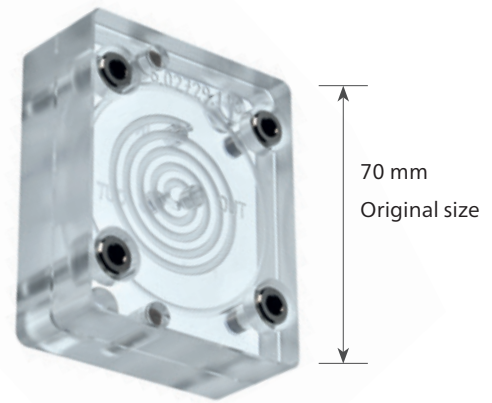
A better option than filter cartridges

Filter cartridges are one possibility. However, the need to replace them after each injection makes this a costly option and a wasteful one, too. A better option is Metrohm Inline Ultrafiltration. At the heart of this fully automated solution is the Metrohm Ultrafiltration Cell 2. Due to a new, optimized design, it has now become even more effective, allowing you to analyze even smaller sample volumes and operate your Metrohm IC system uninterrupted for even longer periods of time.

Automated filtration and sample injection

With Inline Ultrafiltration, Metrohm offers a fast and cost-efficient alternative to manual filtration. Inline Ultrafiltration combines sample injection with filtration, integrating both steps into the fully automated analysis of your samples. Metrohm Inline Ultrafiltration uses membrane filters with a pore size of 0.2 µm and you can apply it to multiple samples as well as standards and blanks. With this approach you gain certainty and confidence in your measurements. Carry-over between samples is below 0.1%.

Due to the improved cell design, only half as much sample than previously is required for analysis, and it takes only a minute to exchange the filter membrane.



The Metrohm Ultrafiltration Cell 2

BENEFITS OF THE NEW METROHM ULTRAFILTRATION CELL

- **2x** less sample volume for filtration results in extended lifetime of the filter membrane
- **2x** faster exchange of the filter membrane

ORDERING INFORMATION

Instrument	
6.02729.110	Ultrafiltration cell 2
6.02057.030	Ultrafiltration cell 2 holder for 858 Professional Sample Processor / 919 IC Autosampler plus
6.02057.120	Ultrafiltration cell 2 holder, stand-alone
6.05330.010	IC equipment: Inline Ultrafiltration 2 – pull mode
6.05330.110	IC equipment: Inline Ultrafiltration 2 – push mode
6.05330.210	IC equipment: Inline Ultrafiltration 2 – MiPT