

# Agilent 1290 Infinity II Easy Maintenance Pump Head

## Technical Note

This Technical Note describes installation and maintenance of Easy Maintenance Pump Heads for Agilent 1290 Infinity and 1290 Infinity II pumps.

### Contents

Easy Maintenance Upgrade Kit (Binary and High Speed Pumps)	2
Easy Maintenance Upgrade Kit (Quaternary and Flexible Pumps)	2
Remove Pump Heads (Binary and High Speed Pumps)	3
Remove Pump Heads (Quaternary and Flexible Pumps)	6
Pump Head Maintenance	9
Install Easy Maintenance Pump Heads (Binary and High Speed Pumps)	19
Install Easy Maintenance Pump Heads (Quaternary and Flexible Pumps)	21
Pump Head Parts	23
Seal Wash Function	28
Install the Seal Wash Function (Binary Pump)	28
Install the Seal Wash Function (Quaternary Pump)	30
Seal Wash Upgrade Kit (Binary Pump)	33
Seal Wash Upgrade Kit (Quaternary Pump)	34
Upgrade the Valve Support (G4204A only)	35



## Easy Maintenance Upgrade Kit (Binary and High Speed Pumps)

The Easy Maintenance Upgrade Kit (Bin) (G7120-68100) contains the following items:

Item	p/n	Description
	G4220-60300	Easy Maintenance Pump Head Channel A
	G4220-60310	Easy Maintenance Pump Head Channel B
8	0515-6154	Screw-Socket-HD-Cap Hex-Recess M5X0.8 40
	01200-90120	Agilent 1290 Infinity II Easy Maintenance Pump Head Technical Note
	5067-6197	Seal Handling Device
	5043-1400	Pump Head Holder
	G4220-68712	1290 Infinity Binary Pump Seal Wash Pump Kit
	01200-90091	1290 Infinity Pump Quick Reference Sheet

## Easy Maintenance Upgrade Kit (Quaternary and Flexible Pumps)

The Easy Maintenance Upgrade Kit (Quat) (G7104-68100) contains the following items:

Item	p/n	Description
	G4204-60300	Easy Maintenance Pump Head Quat
4	0515-6154	Screw-Socket-HD-Cap Hex-Recess M5X0.8 40
	01200-90120	Agilent 1290 Infinity II Easy Maintenance Pump Head Technical Note
	5067-6197	Seal Handling Device
	5043-1400	Pump Head Holder
	G4204-68712	Seal Wash Upgrade Kit for 1290 Quaternary Pump
	G4204-04000	Valve Support
	G7104-20000	HP Filter Housing
	G4204-60004	Outlet filter 1290 Infinity Quaternary Pump
	5067-4656	Capillary ST, 0.25 mm x 80 mm
	01200-90091	1290 Infinity Pump Quick Reference Sheet

## Remove Pump Heads (Binary and High Speed Pumps)

The following procedure shows how to remove a pump head from a High Speed Pump (G7120A). Removing pump heads from Binary Pumps (G4220A/B) can be done in the same way.

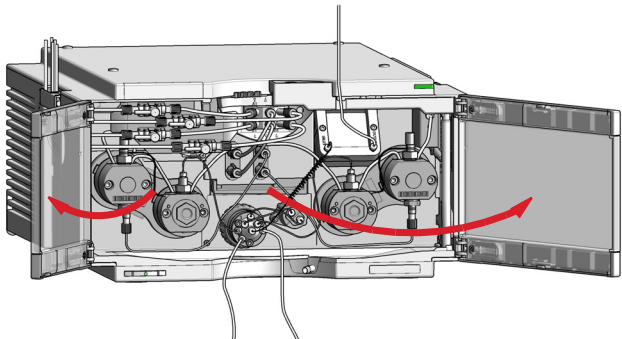
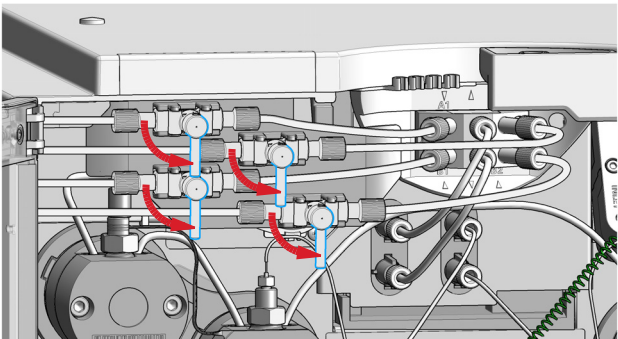
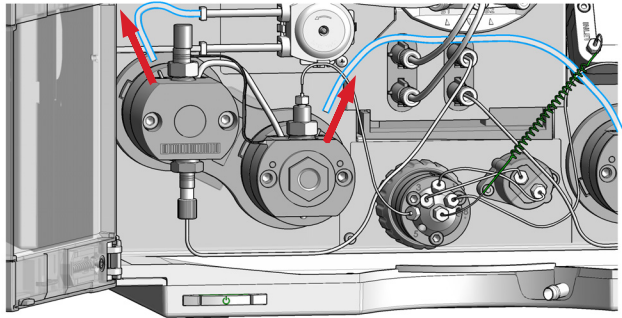
### Remove the Pump Head Assembly

Tools required	p/n	Description
	G7120-68708	HPLC System Tool Kit-Infinity-II

#### NOTE

This procedure describes the replacement of the left pump head assembly (channel A). Similarly, the right pump head assembly (channel B) can be replaced.

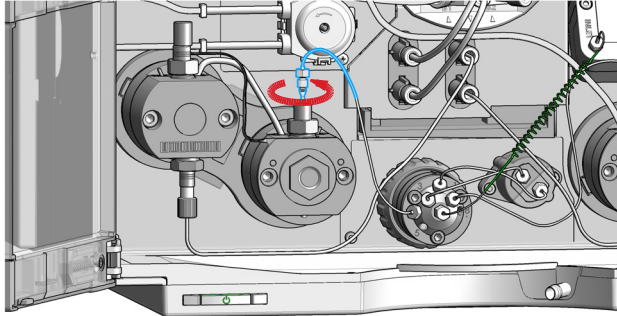
One pump head assembly consists of two pump heads, which are both removed at the same time.

<p><b>1</b> In Lab Advisor go to <b>Service &amp; Diagnostics &gt; Remove/Install Pump Head</b> and follow instructions given on the screen.</p>	<p><b>2</b> Open the doors.</p> 
<p><b>3</b> Close all shut-off valves.</p> 	<p><b>4</b> Remove the seal wash tubes.</p> 

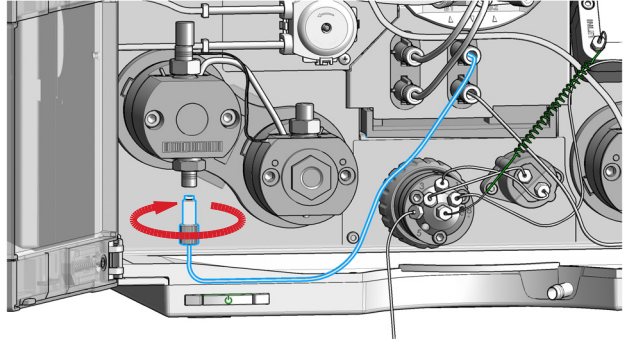
## Remove Pump Heads (Binary and High Speed Pumps)

### Remove the Pump Head Assembly

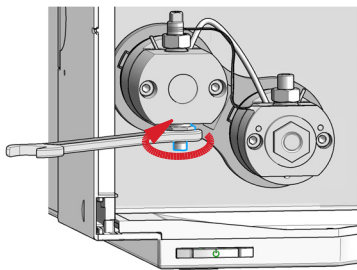
- 5** Remove the capillary connection at the top of the secondary pump head to the pump valve.



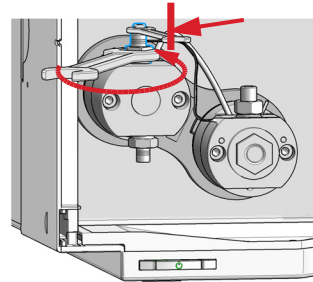
- 6** Remove the flow connection between the degassing unit and the primary pump head inlet.



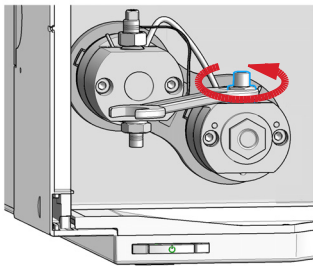
- 7** Loosen the inlet valve. Keep the inlet valve installed to the pump head assembly.



- 8** Counter the lock screw of the heat exchanger capillary while loosening the outlet valve. Keep the outlet valve installed to the pump head assembly.



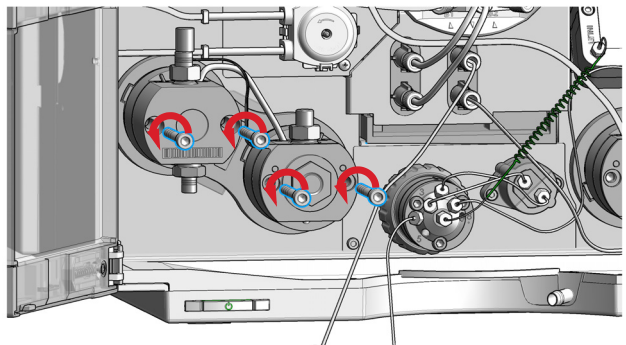
- 9** Loosen the high pressure filter. Keep the filter installed to the pump head assembly.



- 10** Open the four screws holding the pump heads.

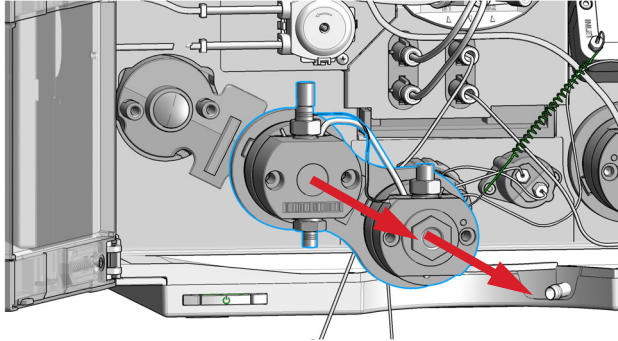
#### NOTE

Open the screws step by step, not screw by screw.

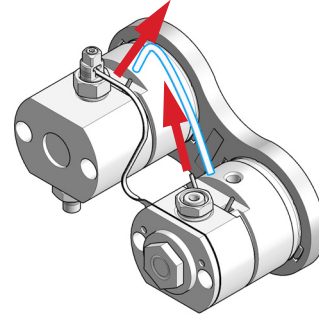


**Remove Pump Heads (Binary and High Speed Pumps)**  
Remove the Pump Head Assembly

**11** Remove the complete pump head assembly by holding both heads and pulling it to the front.



**12** Remove the seal wash tubing interconnecting the two pump heads.



## Remove Pump Heads (Quaternary and Flexible Pumps)

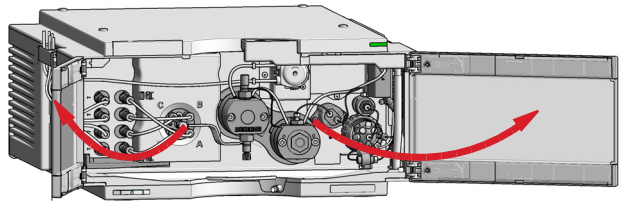
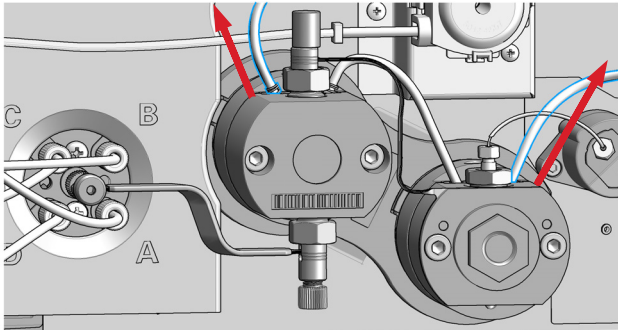
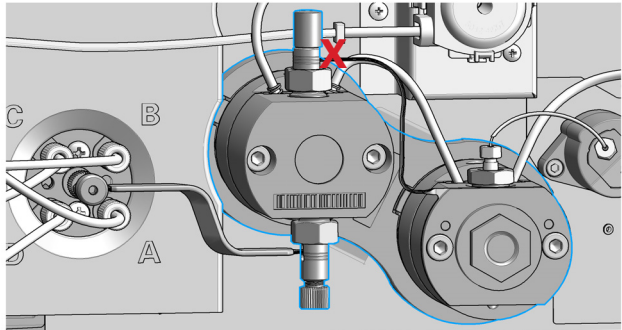
### Remove the Pump Head Assembly

# Remove Pump Heads (Quaternary and Flexible Pumps)

The following procedure shows how to remove a pump head from a Flexible Pump (G7104A). Removing pump heads from Quaternary Pumps (G4204A) can be done in the same way.

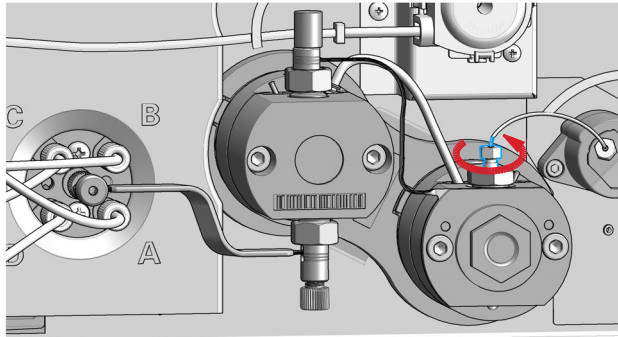
## Remove the Pump Head Assembly

Tools required	p/n	Description
	G7120-68708	HPLC System Tool Kit-Infinity-II

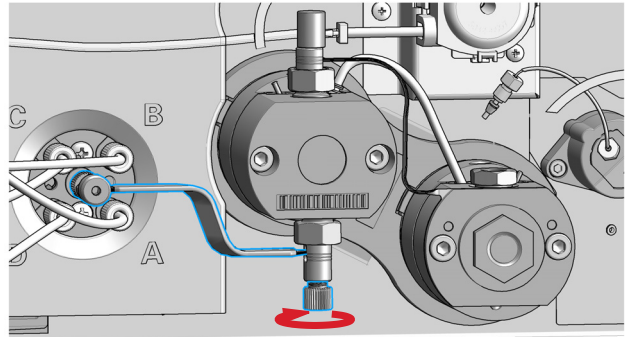
<p><b>1</b> In Lab Advisor go to <b>Service &amp; Diagnostics &gt; Remove/Install Pump Head</b> and follow instructions given on the screen.</p>	<p><b>2</b> Open the doors.</p>  <p>A perspective view of the HPLC system with its front and side doors open. Red curved arrows indicate the direction of the doors. The internal components, including pump heads and tubing, are visible.</p>
<p><b>3</b> Remove the seal wash tubes.</p>  <p>A close-up view of a pump head assembly. Red arrows point to the seal wash tubes being removed. Labels A, B, and C are visible on the pump head.</p>	<p><b>4</b> DO NOT REMOVE the heat exchanger connection between the pump heads marked by the red X.</p>  <p>A close-up view of the pump head assembly. A red 'X' is placed over the heat exchanger connection between two pump heads. A blue circle highlights the connection area. Labels A, B, and C are visible on the pump head.</p>

**Remove Pump Heads (Quaternary and Flexible Pumps)**  
Remove the Pump Head Assembly

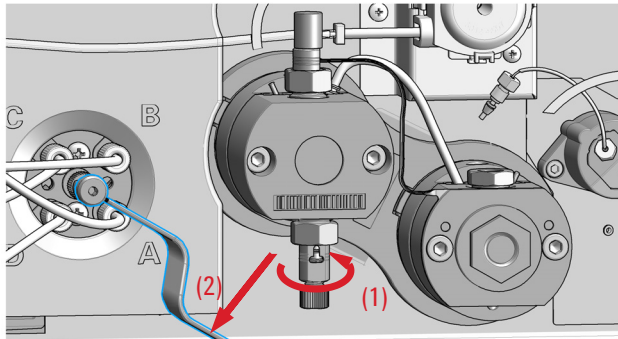
**5** Remove the capillary connection from the outlet adapter on the secondary pump head to the pressure sensor.



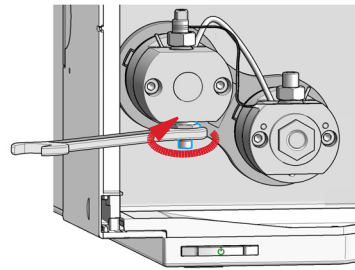
**6** Open the black plastic screw of the inlet valve at the bottom of the primary pump head.



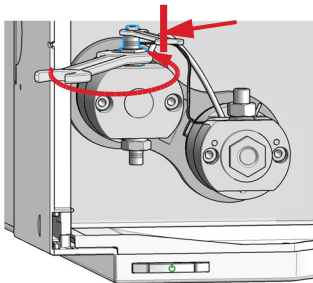
**7** Turn the inlet valve 90 ° counterclockwise (1) and remove the inlet weaver from the inlet valve (2).



**8** Loosen the inlet valve. Keep the inlet valve installed to the pump head assembly.



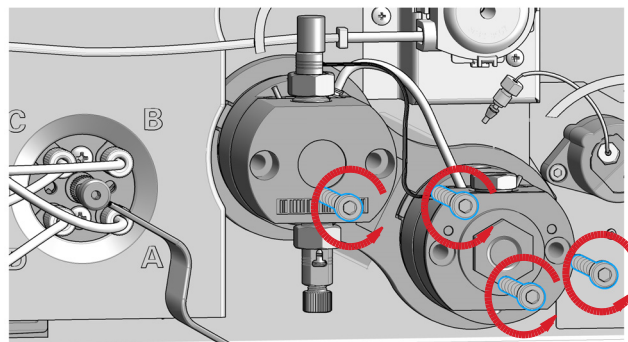
**9** Counter the lock screw of the heat exchanger capillary while loosening the outlet valve. Keep the outlet valve installed to the pump head assembly.



**10** Remove the four screws holding the pump heads.

**NOTE**

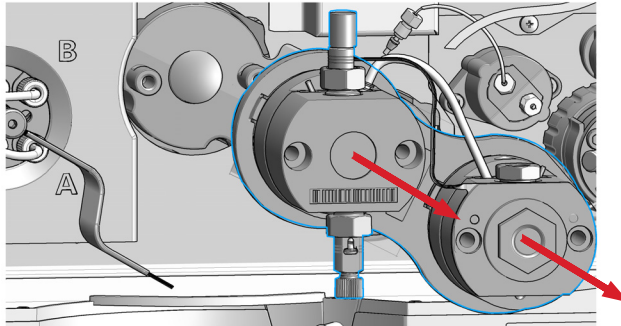
Open the screws step by step, not screw by screw.



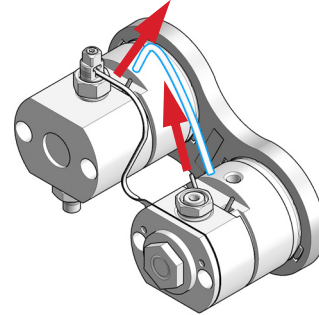
## Remove Pump Heads (Quaternary and Flexible Pumps)

### Remove the Pump Head Assembly

**11** Remove the complete pump head assembly by holding both heads and pulling it to the front.



**12** Remove the seal wash tubing interconnecting the two pump heads.





## Pump Head Maintenance

### Disassemble Easy Maintenance Pump Heads

This procedure shows how to open the pump head assembly, exchange seals, and clean pistons.

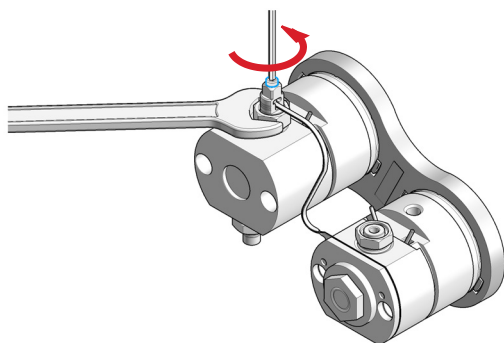
Exchanging seals and cleaning pistons is exemplarily shown for the primary pump head, but works in the same way for the secondary pump head.

Tools required	p/n	Description
	G7120-68708	HPLC System Tool Kit-Infinity-II
	5043-1400	Pump Head Holder
	5067-6197	Seal Handling Device
	8660-0852	Abrasive mesh Isopropanol

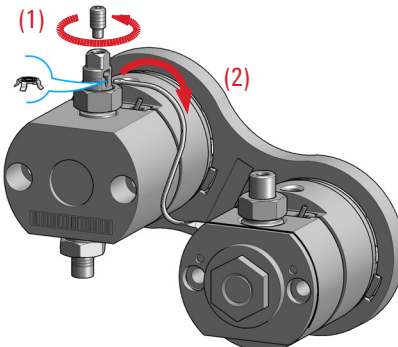
#### NOTE

Seals must be exchanged and pistons must be cleaned in both primary and secondary pump heads.

- 1** Counter the outlet valve while opening the lock screw of the heat exchanger capillary.



- 2** Remove the heat exchanger capillary by pushing the connector up and pulling it out of the valve.



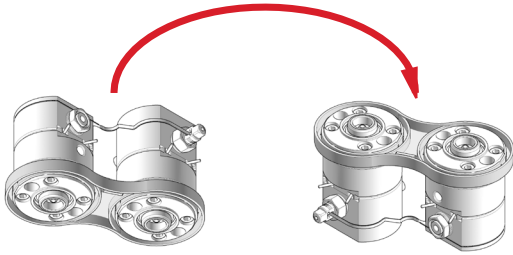
#### NOTE

A gold seal between outlet valve and heat exchanger capillary is used for a tight connection.

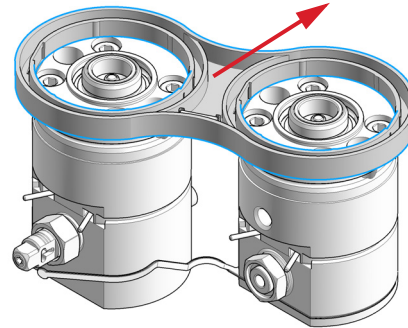
## Pump Head Maintenance

### Disassemble Easy Maintenance Pump Heads

**3** Turn the pump head assembly upside down.

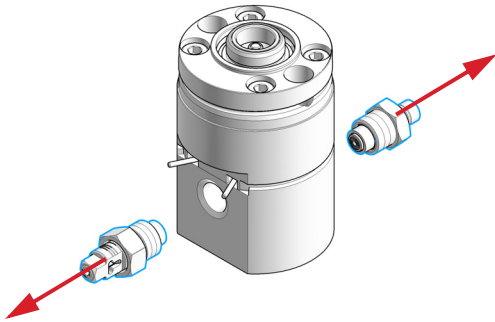


**4** Remove the link plate by gently pulling it off the pump head assembly.



The two pump chambers are now isolated.

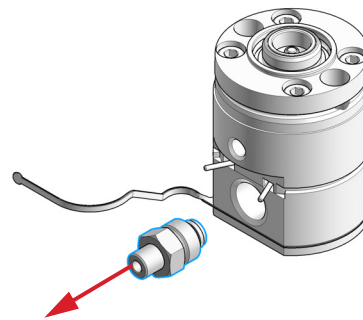
**5** Remove the inlet valve and the outlet valve from the primary pump head.



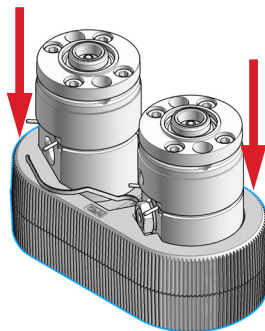
#### NOTE

Clean the valves by sonication, if appropriate. A good cleaning solution is 50 % isopropanol in water.

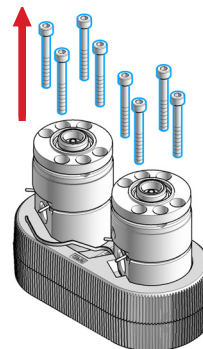
**6** Binary/High Speed Pumps only: Remove the high pressure filter from the secondary pump head.



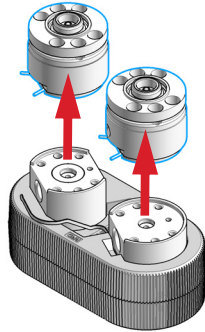
**7** Place the two pump heads in the Pump Head Holder.



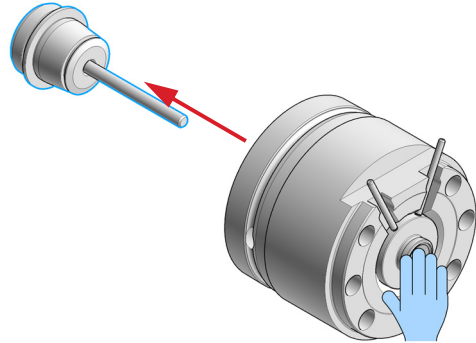
**8** Remove the pump head screws from the back of the pump heads.



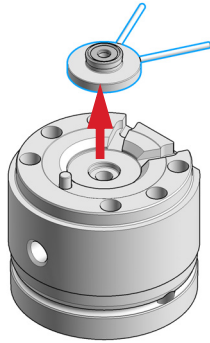
**9** Open the pump heads and remove the piston housings from the pump chambers.



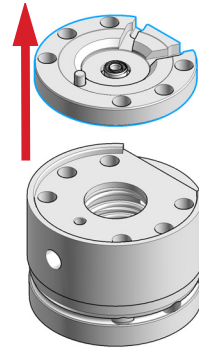
**10** Remove the piston by pressing it out of the seal holder with a finger.



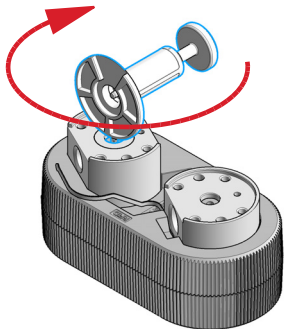
**11** Remove the seal holder from the spring housing.



**12** Remove the support plate from the spring housing.



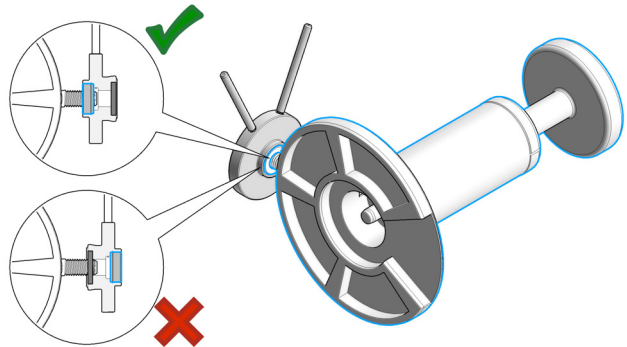
**13** Screw the pin of the seal handling device into the piston seal.



**14** Screw the pin of the seal handling device into the wash seal.

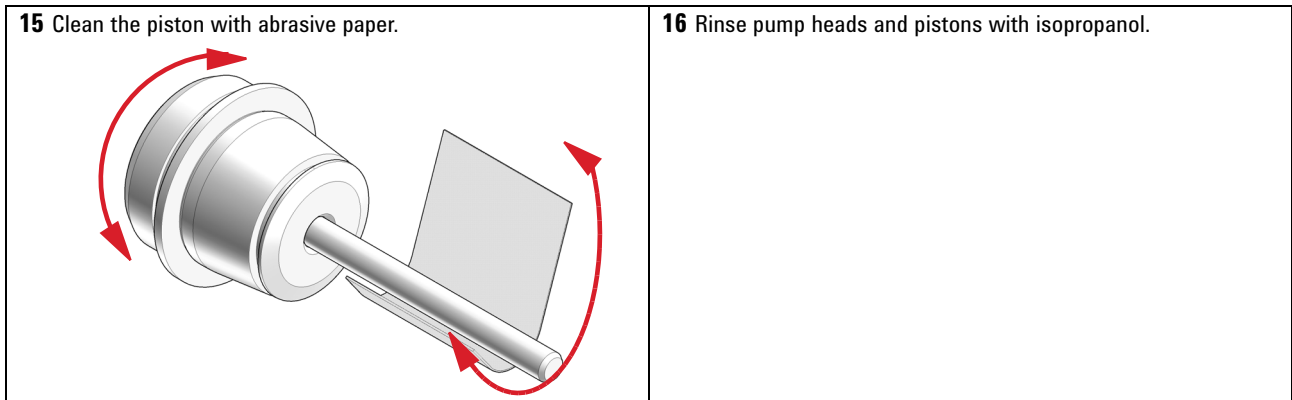
**NOTE**

The seal holder has two different sides. The black backup ring is supporting the piston seal and must not be removed. The side with the backup ring has a bigger diameter and a sharp edge to hold the piston seal. The other side has no sharp edge and holds the smaller wash seal.



## Pump Head Maintenance

### Replace the Heat Exchanger



## Replace the Heat Exchanger

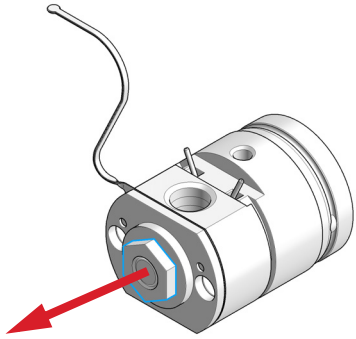
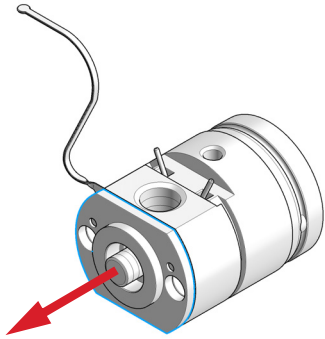
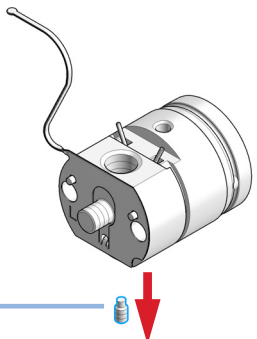
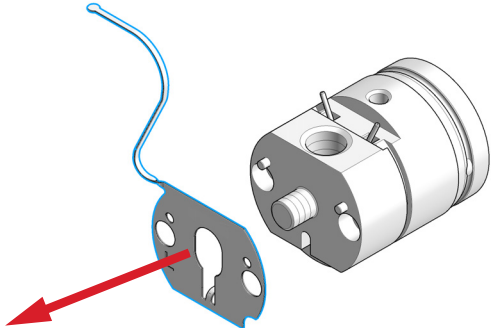
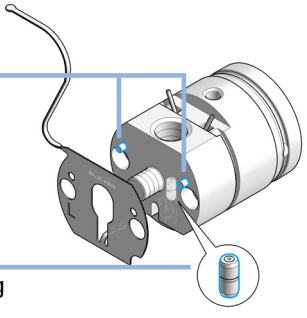
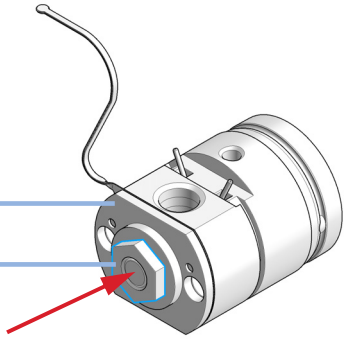
Tools required	p/n	Description
		Wrench, 19 mm
	5023-2501	Screwdriver Torx-T10
	5067-5688	Torque wrench 1 – 25 Nm with 14 mm wrench
	G4220-20013	4 mm hex bit
	G4220-20015	Adapter ¼ in square to hex
	G4220-20041	Bit Torx 10x25 mm
Parts required	p/n	Description
	G4220-81013	Heat Exchanger Channel A (secondary pump head only) (all pumps)
	G4220-81012	Heat Exchanger Channel B (secondary pump head only) (Binary and High Speed Pumps only)
Preparations		<ul style="list-style-type: none"><li>• Remove the pump head assembly from the pump</li><li>• Remove the secondary pump head from the link plate</li></ul>

### CAUTION

Loss of small spacer fitting

Inside the secondary pump head is a small spacer fitting, which can be dropped easily when removing the heat exchanger.

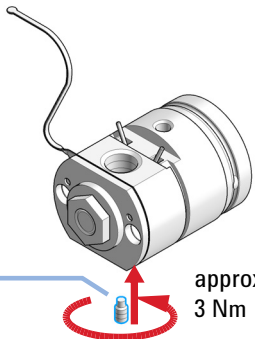
→ The heat exchanger does not need to be removed for pump head maintenance.

<p><b>1</b> Remove the 19 mm screw at the front of the secondary pump head.</p> 	<p><b>2</b> Remove the front plate.</p> 
<p><b>3</b> Remove the screw at the bottom of the pump head. Do not drop the golden spacer fitting.</p>  <p>Screw</p>	<p><b>4</b> Lift out the heat exchanger.</p> 
<p><b>5</b> If removed, first insert the spacer fitting. Then insert the new heat exchanger to the opening in the pump head and lift it over the pins.</p>  <p>Pins</p> <p>Spacer fitting</p>	<p><b>6</b> Use the 19 mm screw for fixing the front plate.</p>  <p>Front plate</p> <p>Screw</p>

**Pump Head Maintenance**

**Assemble Easy Maintenance Pump Heads**

**7** Insert and fix the screw.



Screw

approx.  
3 Nm

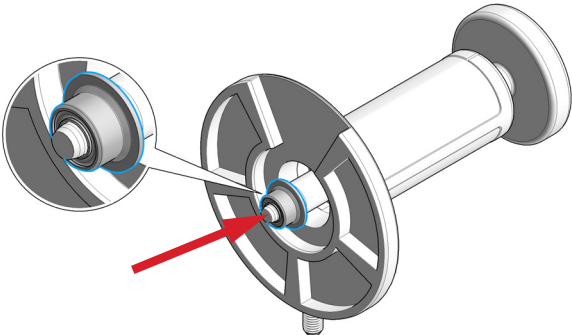
## Assemble Easy Maintenance Pump Heads

Tools required	p/n	Description
	G7120-68708	HPLC System Tool Kit-Infinity-II
	5067-5688	Torque wrench 1 – 25 Nm with 14 mm wrench
	G4220-20013	4 mm hex bit
	G4220-20015	Adapter ¼ in square to hex
	G4220-20041	Bit Torx 10x25 mm
	5043-1400	Pump Head Holder
	5067-6197	Seal Handling Device
		Isopropanol

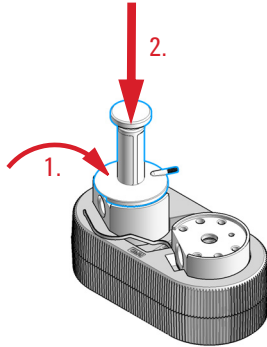
Parts required	#	p/n	Description
	2	0905-1719	PE Seal
	2	0905-1175	Wash seal (PTFE)

**1** Lubricate the seals, the seal holder, and the pump chambers with isopropanol.

**2** Place the piston seal onto the designated nose of the Seal Handling Device. The metal spring of the piston seal must be visible.

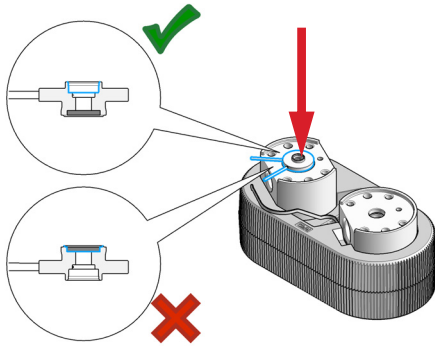


**3** Take care that the Seal Handling Device is seating flush and press the seal into the pump chamber.



**4** Repeat for the other pump chamber.

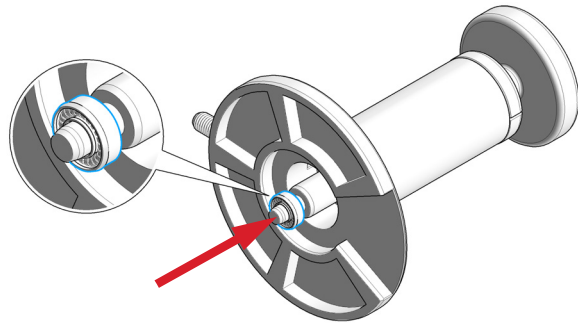
**5** Place the seal holder onto the pump chamber.



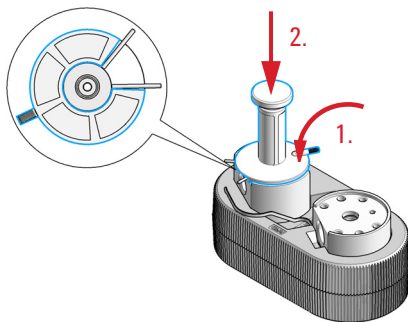
**NOTE**

Mind the correct orientation of the seal holder. The backup ring must face down.

**6** Place the wash seal onto the designated nose of the Seal Handling Device. The metal spring of the wash seal must be visible.



**7** Take care that the Seal Handling Device is seating flush and press the wash seal into the seal holder.



**NOTE**

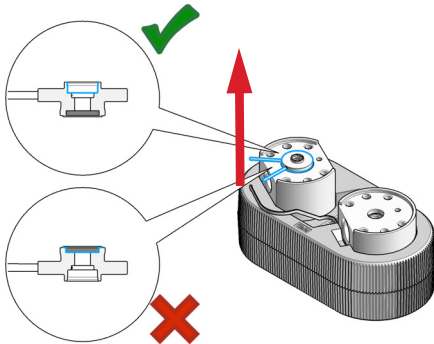
The Seal Handling Device has a cavity to fit over the pins of the seal wash tubings.

**8** Repeat for the other seal holder.

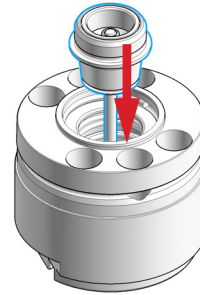
## Pump Head Maintenance

### Assemble Easy Maintenance Pump Heads

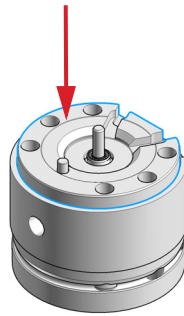
**9** Remove the seal holders from the pump chambers.



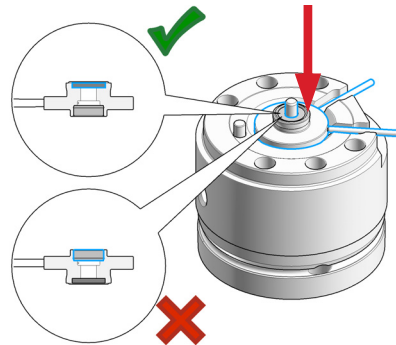
**10** Lubricate the piston with isopropanol and place it into the spring housing.



**11** Place the support plate onto the spring housing. Mind the correct orientation of the guiding pin.



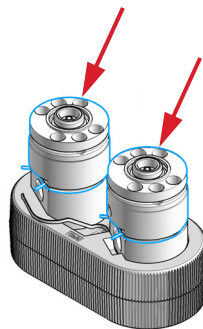
**12** Place the seal holder onto the spring housing.



#### NOTE

Mind the correct orientation: The backup ring must face upwards and the seal holder must sit correctly.

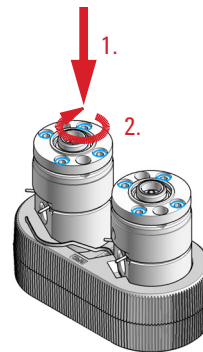
**13** Place the assembled spring housings on top of the pump chambers.



#### NOTE

Both spring housings are identical, there is no risk when mixing them, but make sure that the seal holder is oriented correctly.

**14** Place the screws into the pump heads and loosely tighten them in a crosswise manner.

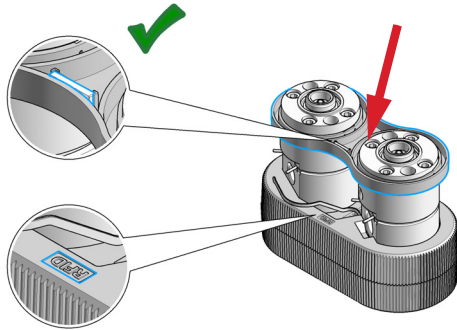


#### NOTE

The spring housing will tilt slightly when the first screw is hand tightened. Stop at this point and continue to tighten the three other screws in a crosswise manner.



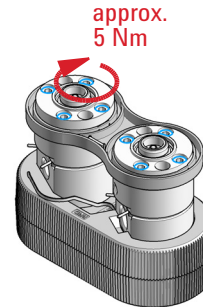
**15** Mind the correct orientation of the link plate and click it into place.



**NOTE**

The Pump Head Holder has a marker to illustrate the correct placement of the link plate. The link plate holds an identification tag; this has to be placed onto the correct position to be readable by the pump.

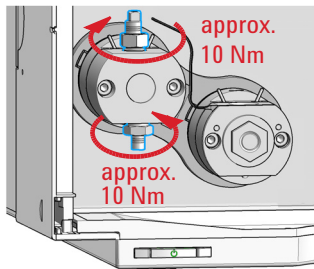
**16** Tighten the pump head screws with a torque wrench set to approx. 5 Nm in a crosswise manner.



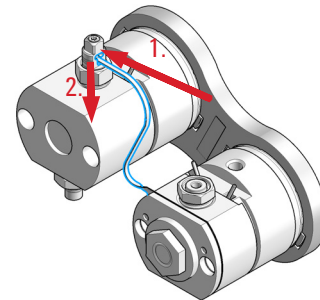
**NOTE**

When the wrench clicks, the set torque is reached. Do not overtighten the screws.

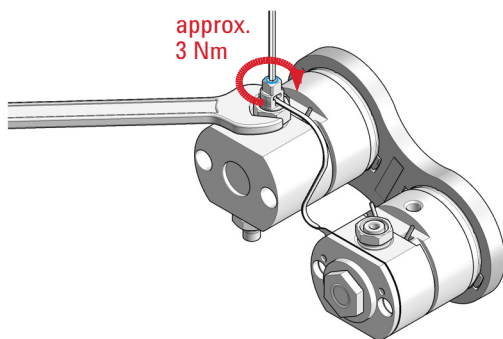
**17** Screw in the inlet valve and the outlet valve and fix them with a torque wrench set to approx. 10 Nm.



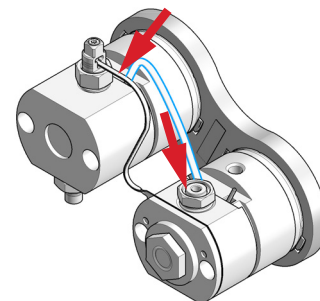
**18** Position the entrance slit for the heat exchanger capillary to face exactly to it, and then seat the heat exchanger capillary back into the outlet valve by moving it into the valve and pressing it down.



**19** Counter the outlet valve and tighten the lock screw of the heat exchanger capillary with a torque wrench set to approx. 3 Nm.



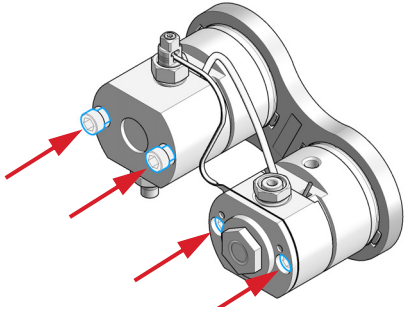
**20** Attach the seal wash tubing interconnecting the two pump heads.



## Pump Head Maintenance

### Assemble Easy Maintenance Pump Heads

**21** Insert the screws that later fix the pump head assembly to the module housing.



## Install Easy Maintenance Pump Heads (Binary and High Speed Pumps)

The following procedure shows how to install Easy Maintenance Pump Heads to a High Speed Pump (G7120A). Installing pump heads to Binary Pumps (G4220A/B) can be done in the same way.

### Install the Pump Head Assembly

Tools required	p/n	Description
	G7120-68708	HPLC System Tool Kit-Infinity-II
	5067-5688	Torque wrench 1 – 25 Nm with 14 mm wrench
	G4220-20013	4 mm hex bit
	G4220-20015	Adapter ¼ in square to hex

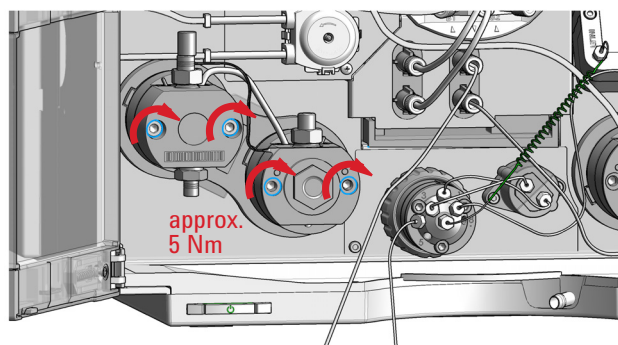
- 1 Bring the pump drive to the maintenance position using the Lab Advisor user interface: Go to **Service & Diagnostics > Remove/Install Pump Head** and follow instructions given on the screen. Both pump drives must be retracted.

#### CAUTION

**Damage to the pump head**  
**Using a wrong torque will damage the pump head.**

→ For handling the torque wrench, setting and applying the right torque, consult the manual of your torque wrench.

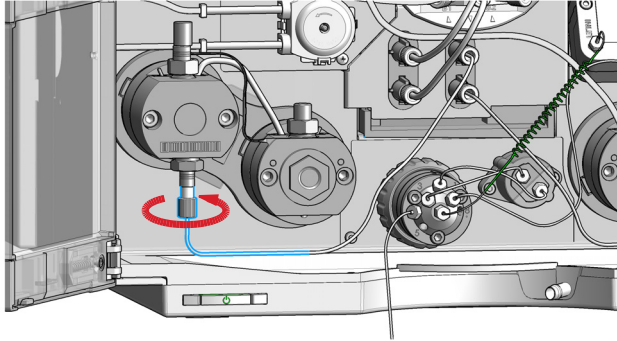
- 2 Install the new pump head assembly by tightening the screws step by step. Apply approx. 5 Nm using a torque hex key, which is included to the 1290 Infinity Service Kit p/n 5067-4699.



## Install Easy Maintenance Pump Heads (Binary and High Speed Pumps)

### Install the Pump Head Assembly

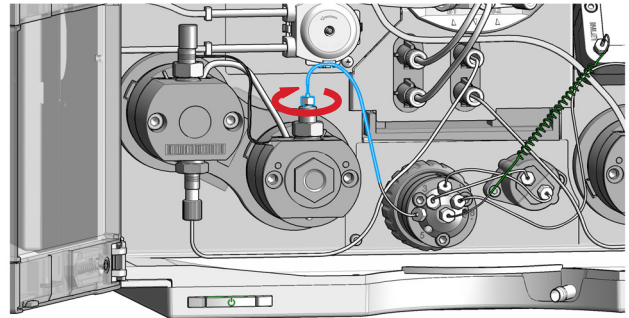
- 3** Connect the degassing unit outlet to the inlet of the primary pump head.



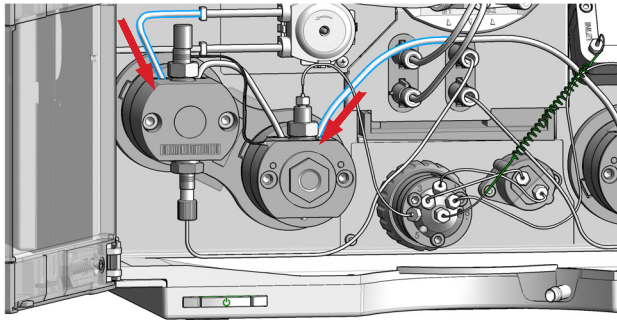
- 4** Connect the outlet of the secondary pump head to the inlet of the purge valve.

#### NOTE

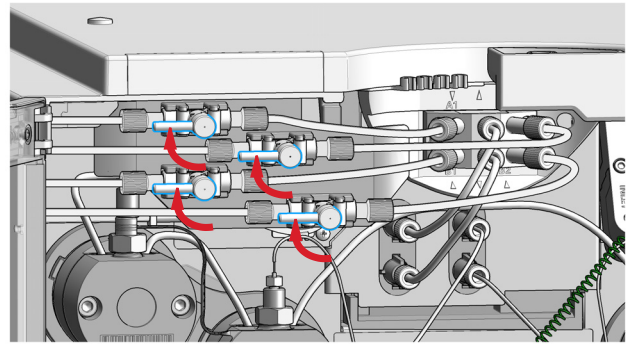
Channel A (left pump head assembly) is connected to port 4, channel B (right pump head assembly) to port 1 of the purge valve.



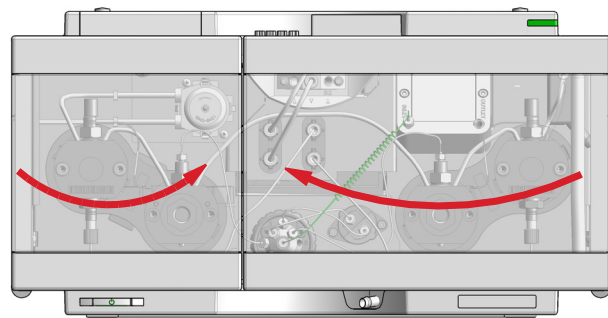
- 5** Replace the seal wash tubes.



- 6** Open the shut-off valves.



- 7** Close the doors.



- 8** Perform a Pump Leak Rate Test.

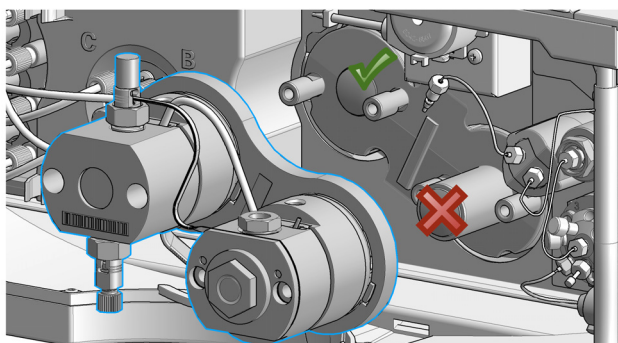
## Install Easy Maintenance Pump Heads (Quaternary and Flexible Pumps)

The following procedure shows how to install Easy Maintenance Pump Heads to a Flexible Pump (G7104A). Installing pump heads to Quaternary Pumps (G4204A) can be done in the same way.

### Install the Pump Head Assembly

Tools required	p/n	Description
	G7120-68708	HPLC System Tool Kit-Infinity-II
	5067-5688	Torque wrench 1 – 25 Nm with 14 mm wrench
	G4220-20013	4 mm hex bit
	G4220-20015	Adapter ¼ in square to hex

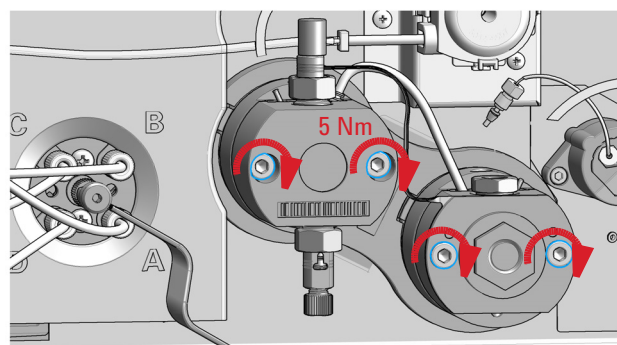
- 1 Bring the pump drive to the maintenance position using the Lab Advisor user interface: Go to **Service & Diagnostics > Remove/Install Pump Head** and follow instructions given on the screen. Both pump drives must be retracted.



#### CAUTION

**Damage to the pump head**  
Using a wrong torque will damage the pump head.

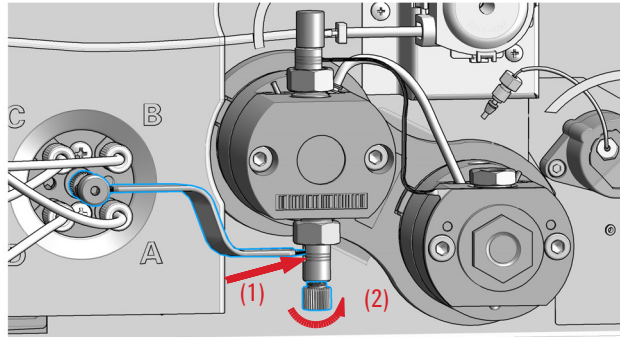
- For handling the torque wrench, setting and applying the right torque, consult the manual of your torque wrench.
- 2 Install the new pump head assembly by tightening the screws step by step. Apply 5 Nm using a torque hex key, which is included to the 1290 Infinity Service Kit p/n 5067-4699.



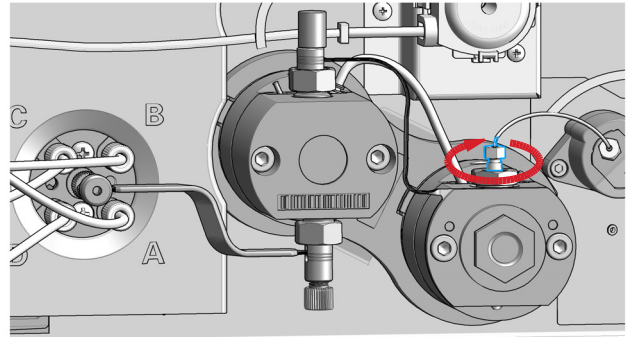
## Install Easy Maintenance Pump Heads (Quaternary and Flexible Pumps)

### Install the Pump Head Assembly

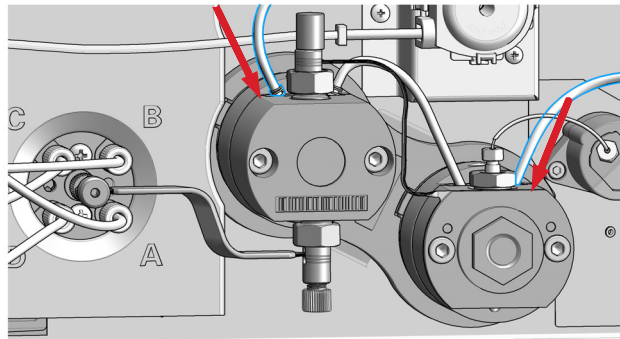
- 3** Insert the inlet weaver to the inlet valve (1). Fix the weaver with the plastic screw to the inlet valve (2).



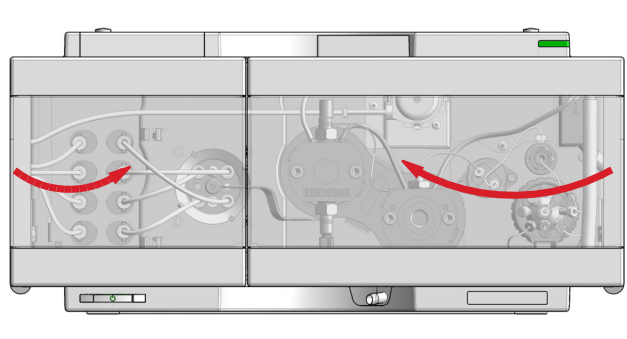
- 4** Connect the capillary from the outlet adapter on the secondary pump head to the pressure sensor.



- 5** Connect the seal wash tubes.



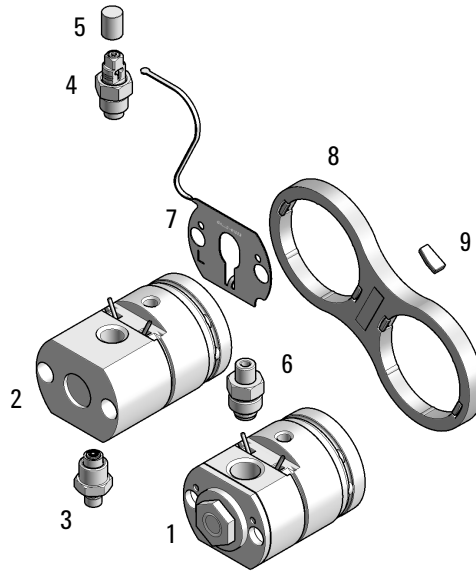
- 6** Close the doors.



- 7** Perform a Pump Leak Rate Test.

# Pump Head Parts

## Pump Head Assembly Parts (Binary and High Speed Pumps)

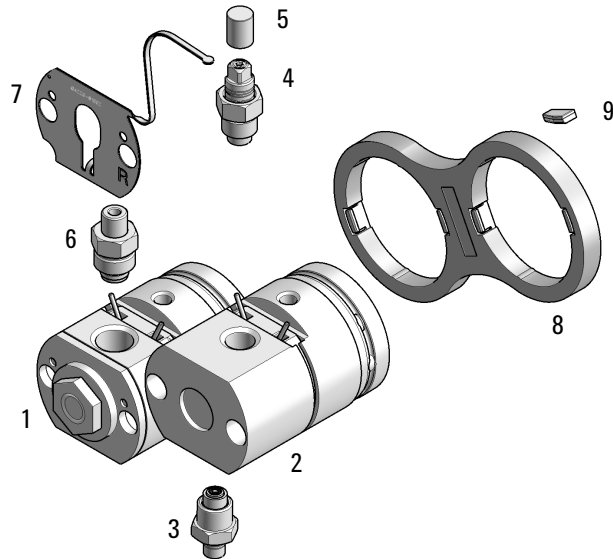


Easy Maintenance Pump Head Channel A (G4220-60300)

Item	p/n	Description
1	G4220-60640	Secondary Head Assembly EM
2	G4220-60641	Primary Head Assembly EM
3	G4220-60022	Inlet valve (primary pump head)
4	G4220-60028	Outlet valve (primary pump head)
5	5042-9966	Cap Outlet Valve
6	G4280-60026	High Pressure Filter Assembly (secondary pump head)
7	G4220-81013	Heat Exchanger Channel A (secondary pump head only)
8	G4220-40001	Link Plate
9	0960-2971	RF Transponder

## Pump Head Parts

### Pump Head Assembly Parts (Binary and High Speed Pumps)

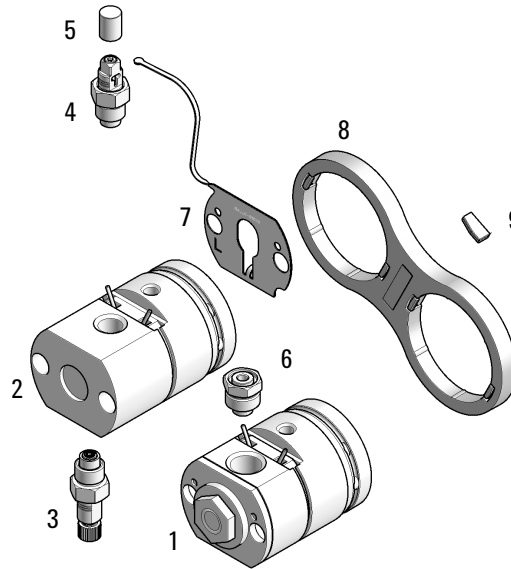


#### Easy Maintenance Pump Head Channel B (G4220-60310)

Item	p/n	Description
1	G4220-60640	Secondary Head Assembly EM
2	G4220-60641	Primary Head Assembly EM
3	G4220-60022	Inlet valve (primary pump head)
4	G4220-60028	Outlet valve (primary pump head)
5	5042-9966	Cap Outlet Valve
6	G4280-60026	High Pressure Filter Assembly (secondary pump head)
7	G4220-81012	Heat Exchanger Channel B (secondary pump head only)
8	G4220-40001	Link Plate
9	0960-2971	RF Transponder



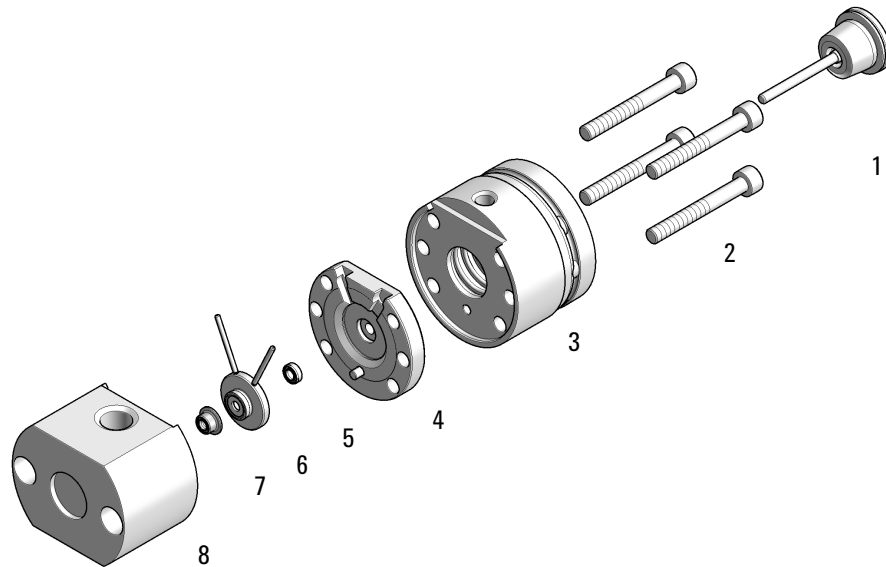
## Pump Head Assembly Parts (Quaternary and Flexible Pumps)



Easy Maintenance Pump Head Quat (G4204-60300)

Item	p/n	Description
1	G4220-60640	Secondary Head Assembly EM
2	G4220-60641	Primary Head Assembly EM
3	G4204-60022	Inlet Valve 1290 Infinity Quaternary Pump
4	G4220-60028	Outlet valve (primary pump head)
5	5042-9966	Cap Outlet Valve
6	G1312-60001	Adapter
7	G4220-81013	Heat Exchanger Channel A (secondary pump head only)
8	G4220-40001	Link Plate
9	0960-2971	RF Transponder

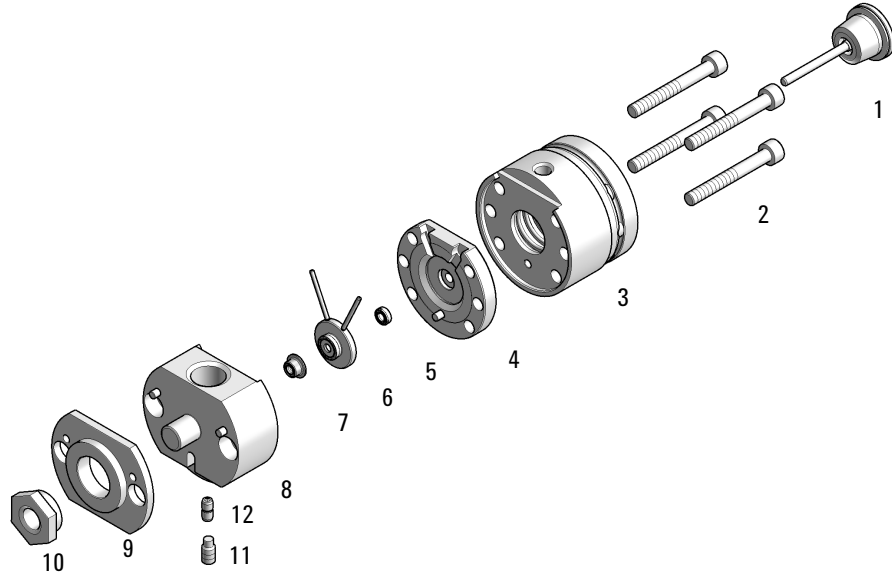
## Primary Pump Head Parts



Primary Head Assembly EM (G4220-60641)

Item	p/n	Description
1	5067-5938	Tilt Limiter Piston
2	0515-6154	Screw-Socket-HD-Cap Hex-Recess M5X0.8 40
3	G4220-60500	Preload Assembly EM
4	G4220-63215	Support Ring Assembly EM
5	0905-1175	Wash seal (PTFE)
6	G4220-60616	Seal Holder Integrated Assembly EM/LL
7	0905-1719	PE Seal
8	G4220-60533	Body Head Primary EM/LL

## Secondary Pump Head Parts



Secondary Head Assembly EM (G4220-60640)

Item	p/n	Description
1	5067-5938	Tilt Limiter Piston
2	0515-6154	Screw-Socket-HD-Cap Hex-Recess M5X0.8 40
3	G4220-60500	Preload Assembly EM
4	G4220-63215	Support Ring Assembly EM
5	0905-1175	Wash seal (PTFE)
6	G4220-60616	Seal Holder Integrated Assembly EM/LL
7	0905-1719	PE Seal
8	G4220-25513	Body Head Secondary EM/LL
9	G4220-20000	LID
10	G4220-20003	Pump Head Screw
11	G4220-20028	Headless screw for 1290 Infinity pump heads
12	G4220-20001	Spacer Fitting

## Seal Wash Function

Upgrading your pump to Easy Maintenance Pump Heads requires a seal wash function to be installed.

The following sections explain how to upgrade Agilent Infinity Binary Pumps (G4220A/B) and Agilent Infinity Quaternary Pumps (G4204A) to use the seal wash function.

### Install the Seal Wash Function (Binary Pump)

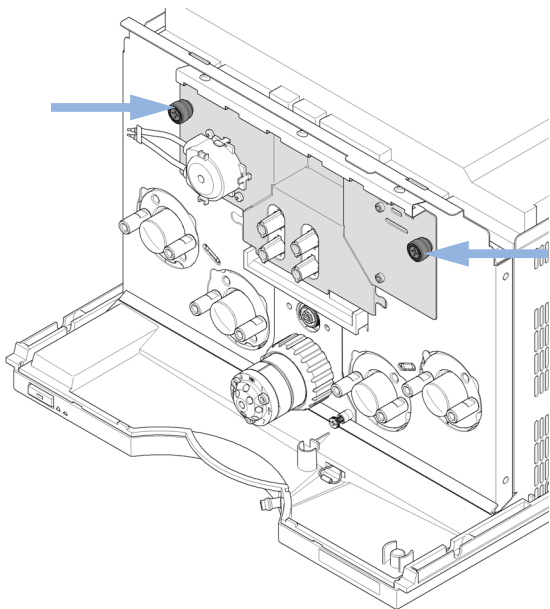
**When** In case of malfunction of the seal wash pump motor.

**Tools required** **Description**  
Pozidrive screwdriver #1

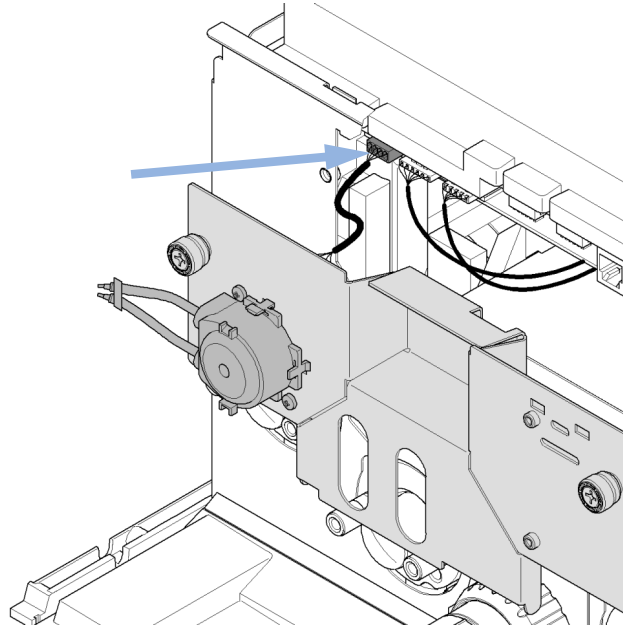
Parts required	#	p/n	Description
	1	G4220-68712	1290 Infinity Binary Pump Seal Wash Pump Kit

**Preparations** Remove the shutoff valve panel and solvent selection valve. Remove flow connections to the degassing unit.

**1** Open the two screws of the panel that covers the degassing unit.

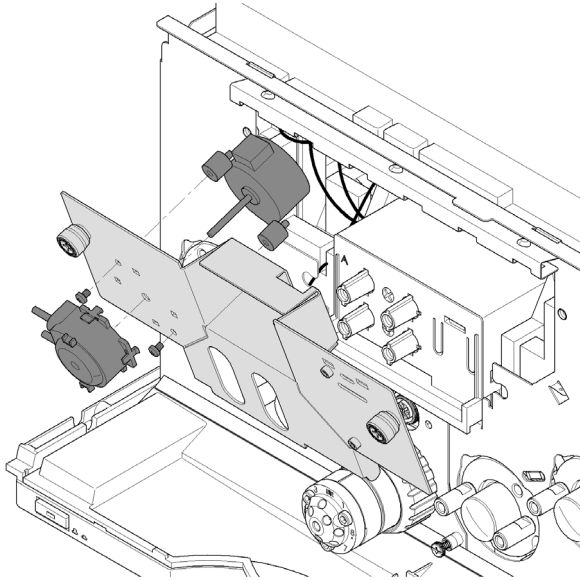


**2** Remove the connector of the seal wash pump from the main board such that you can remove the cover panel completely.



**Install the Seal Wash Function (Binary Pump)**  
Secondary Pump Head Parts

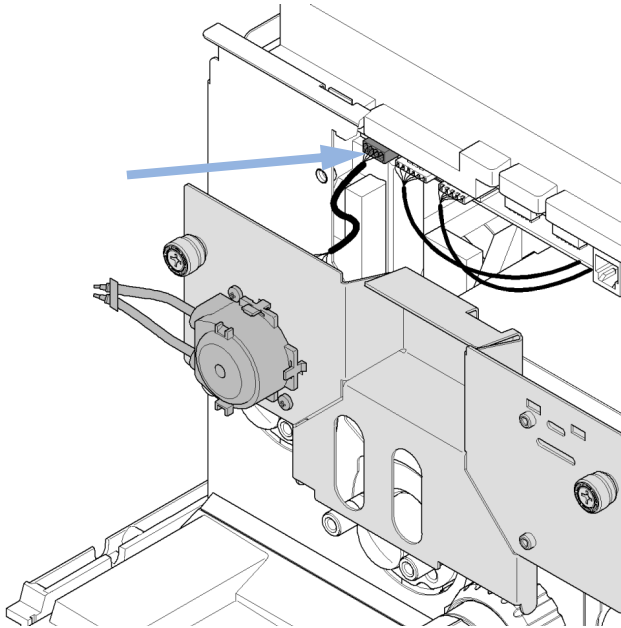
**3** Remove seal wash cartridge and the pump motor from the cover panel by opening the 2 Phillips screws.



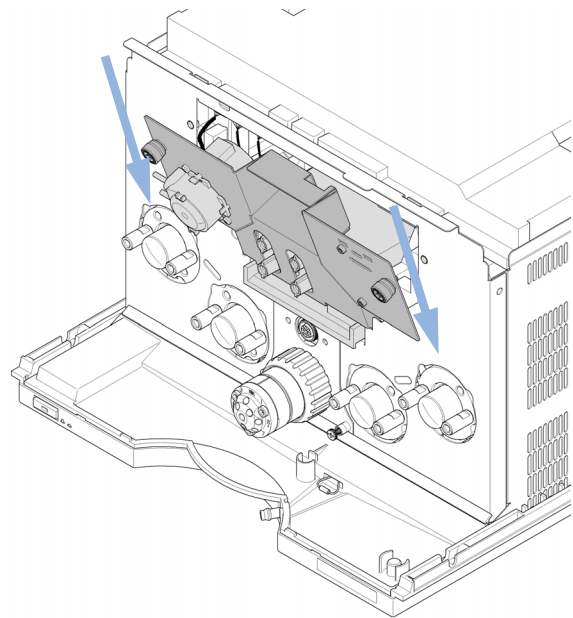
**4** Install the new motor by fixing it to the panel using the Phillips screws.

**5** Replace the seal wash pump cartridge.

**6** Insert the connector of the seal wash pump. Hide the black cable behind the panel at the left side.

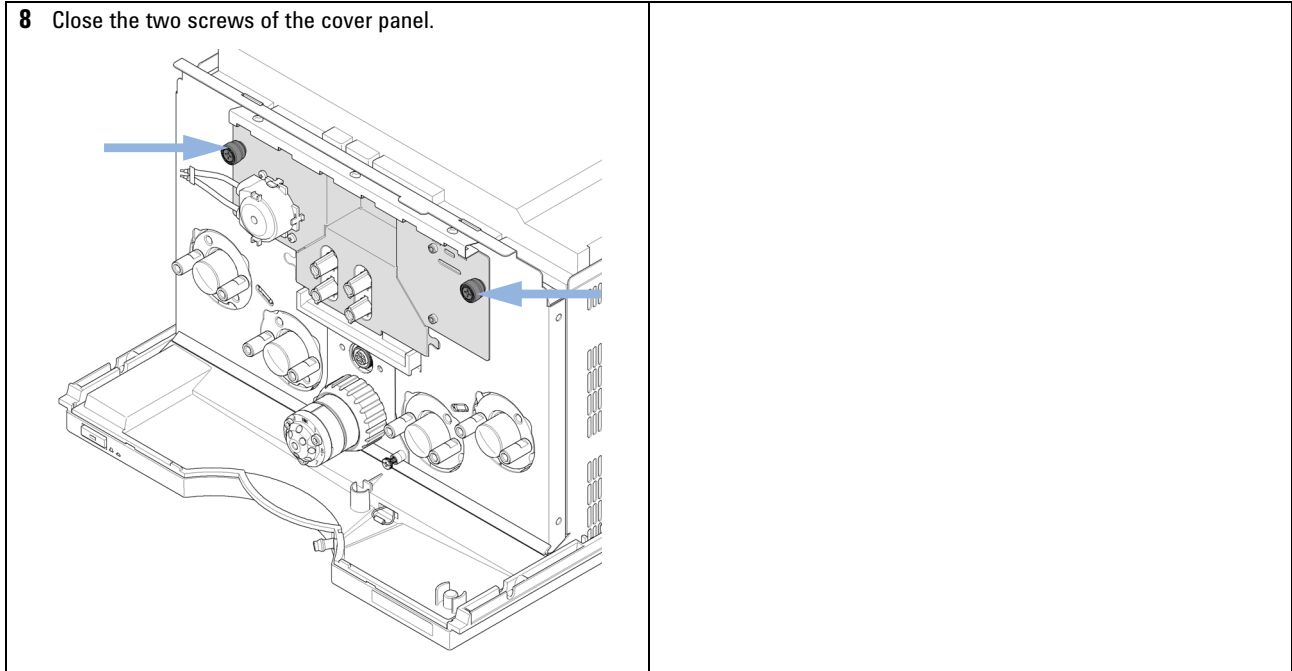


**7** Insert the front panel at the bottom and close the front panel.



## Install the Seal Wash Function (Quaternary Pump)

### Secondary Pump Head Parts



## Install the Seal Wash Function (Quaternary Pump)

**When** In case of malfunction of the seal wash pump motor.

**Tools required**

p/n	Description
8710-0899	Pozidriv screwdriver

**Parts required**

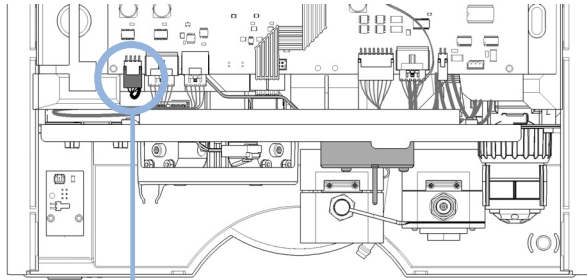
p/n	Description
G4204-68712	Seal Wash Upgrade Kit for 1290 Quaternary Pump

**Preparations**

- Remove the seal wash pump.
- Remove the module from the stack, remove the front cover and open the top cover.

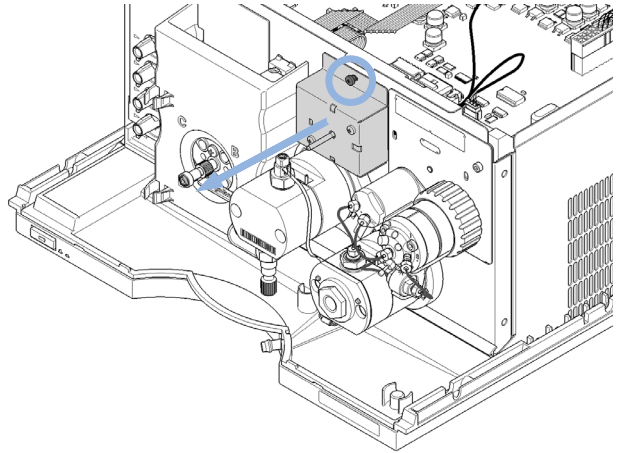
**Install the Seal Wash Function (Quaternary Pump)**  
Secondary Pump Head Parts

**1** Remove the cable from the main board.

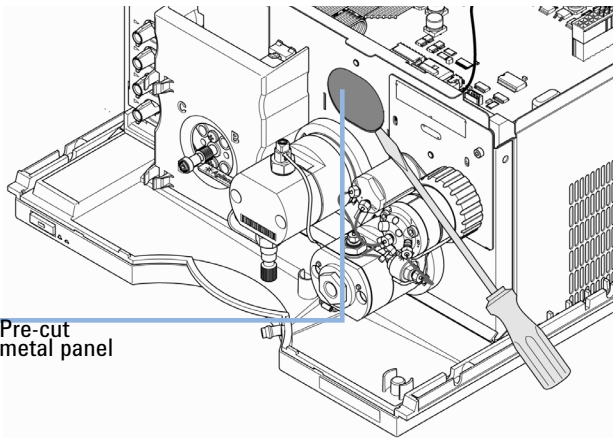


Seal wash pump motor  
(connector P27)

**2** Open the screw, which holds the seal wash pump housing and lift out the housing. Remove the seal wash pump motor.

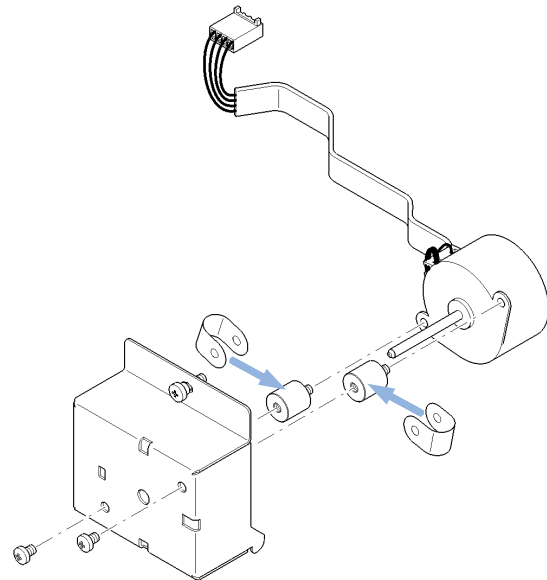


**3** If installed for the first time, remove the pre-cut metal panel.



Pre-cut  
metal panel

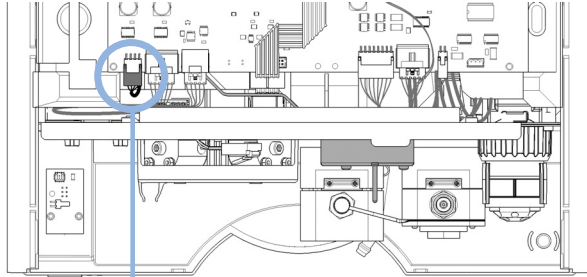
**4** Install the new motor to the seal wash pump housing. Install the grounding strip as shown.



## Install the Seal Wash Function (Quaternary Pump)

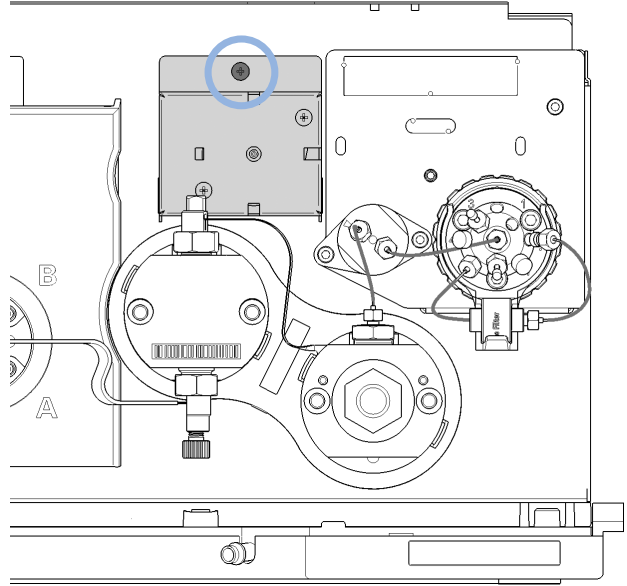
### Secondary Pump Head Parts

- 5** Connect the seal wash pump motor to the main board, connector P27, Seal wash (front, left).

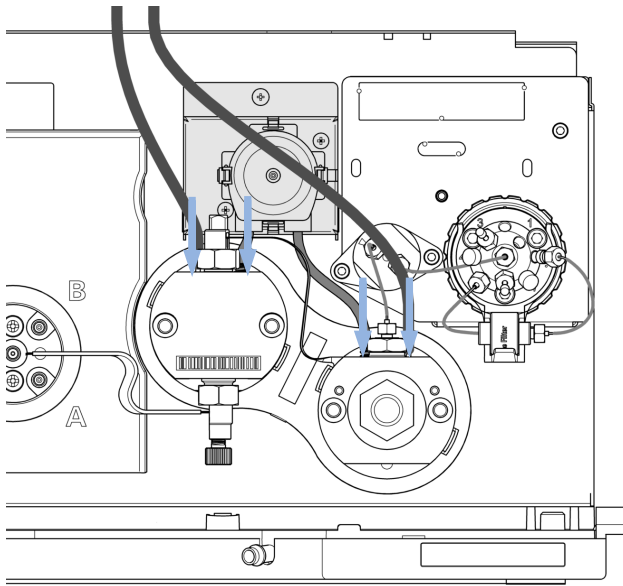


Seal wash pump motor  
(connector P27)

- 6** Insert the seal wash pump housing to the module front panel and fix it with the screw. If required, replace the seal wash pump cartridge.



- 7** Install tubing connections to the pump head.

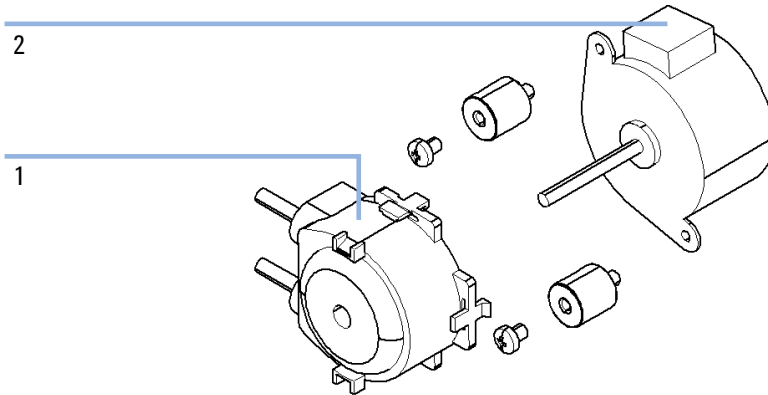


#### Next Steps:

- 8** Install the top cover and put the module to the stack including tubing, capillary and cable connections.
- 9** Route the inlet of the wash tubings into a bottle filled with a mixture of distilled water and isopropanol (90/10) and place the bottle in the solvent cabinet. Route the outlet of the wash tube to the waste container.



## Seal Wash Upgrade Kit (Binary Pump)

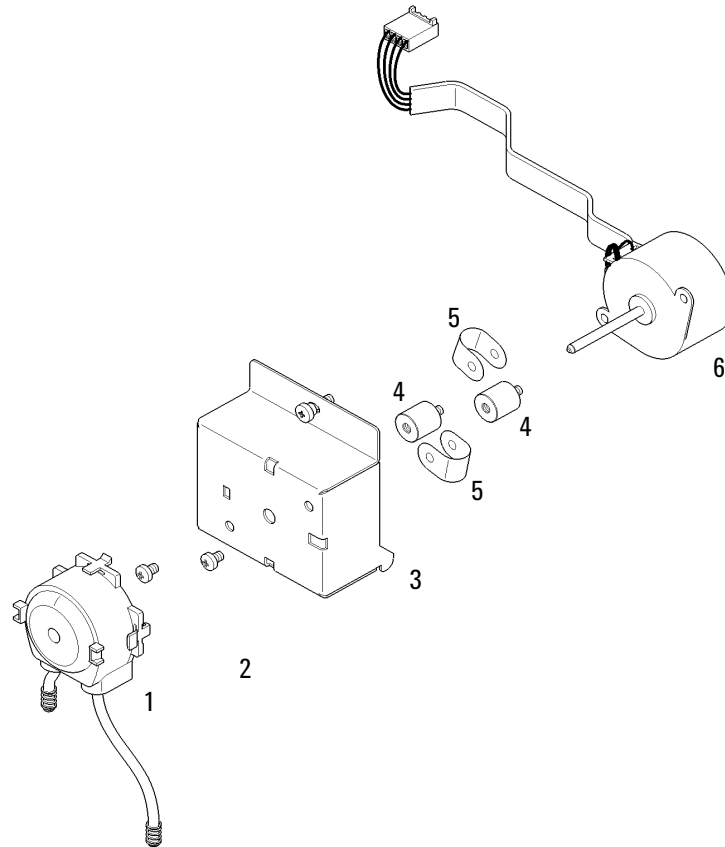


**Figure 1** Seal Wash Kit

The 1290 Infinity Binary Pump Seal Wash Pump Kit (G4220-68712) includes all parts required for adding the seal wash option (peristaltic pump, motor, tubings etc.).

Item	p/n	Description
1	5065-4445	Peristaltic pump with Pharmed tubing
2	5067-4645	Seal Wash Pump Motor
	0515-1508	Screws for Seal Wash Pump Motor
	1520-0260	Shock mount
	5042-6422	Tubing connector, 1 mm o.d.
	5065-9978	Tubing, 1 mm i.d., 3 mm o.d., silicone, 5 m
	G3010-01203	Grounding strip

## Seal Wash Upgrade Kit (Quaternary Pump)



**Figure 2** Seal Wash Pump Assembly

Seal Wash Upgrade Kit for 1290 Quaternary Pump (G4204-68712) contains all items listed below.

Item	#	p/n	Description
1	1	5065-4445	Peristaltic pump with Pharmed tubing
2	2	0515-1508	Screws for Seal Wash Pump Motor
3	1	5003-1252	Housing Seal Wash Pump
4	2	1520-0260	Shock mount
5	2	G3010-01203	Grounding strip
6	1	5067-4645	Seal Wash Pump Motor
	1	5065-9978	Tubing, 1 mm i.d., 3 mm o.d., silicone, 5 m
	1	5042-6422	Tubing connector, 1 mm o.d.

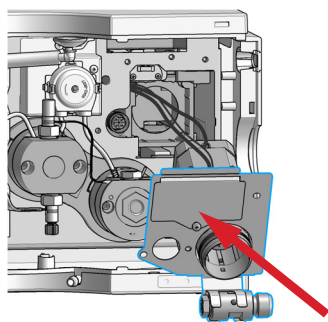
## Upgrade the Valve Support (G4204A only)

<b>Tools required</b>	<b>p/n</b> G7120-68708	<b>Description</b> HPLC System Tool Kit-Infinity-II
-----------------------	---------------------------	--

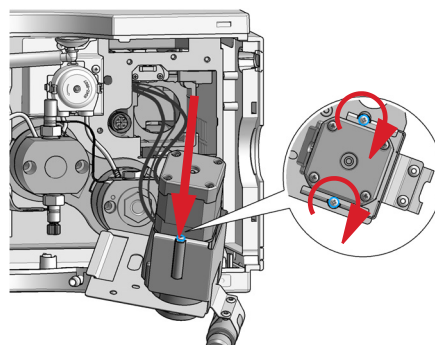
<b>Parts required</b>	<b>p/n</b> G4204-04000	<b>Description</b> Valve Support
-----------------------	---------------------------	-------------------------------------

- Preparations**
- Remove capillaries:
    - from the pump head to the pressure sensor,
    - from the pressure sensor to the multipurpose valve,
    - from valve port 4.
  - Remove the pressure sensor.
  - Remove the Multipurpose valve.
  - Remove the inline filter (if installed).
  - Remove the Jet Weaver (if installed).
  - Remove the valve support as described in the Service Manual.

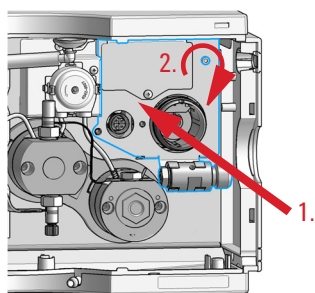
**1** Insert the valve drive into the new valve support delivered with the upgrade kit.



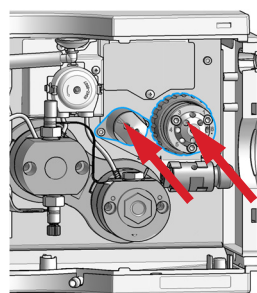
**2** Fix the valve drive in the new valve support.



**3** Slide the valve support into the pump (1.) and fix it with screw (2.).



**4** Install the pressure sensor, the multipurpose valve, and (optionally) the Jet Weaver.



**Next Steps:**

- 5** Reconnect all capillaries.
- 6** Install the inline filter.

**Upgrade the Valve Support (G4204A only)**  
Secondary Pump Head Parts



01200-90120

Part Number: 01200-90120 Rev. B

Edition: 11/2016  
Printed in Germany

© Agilent Technologies, Inc 2016

Agilent Technologies, Inc  
Hewlett-Packard-Strasse 8  
76337 Waldbronn  
Germany